



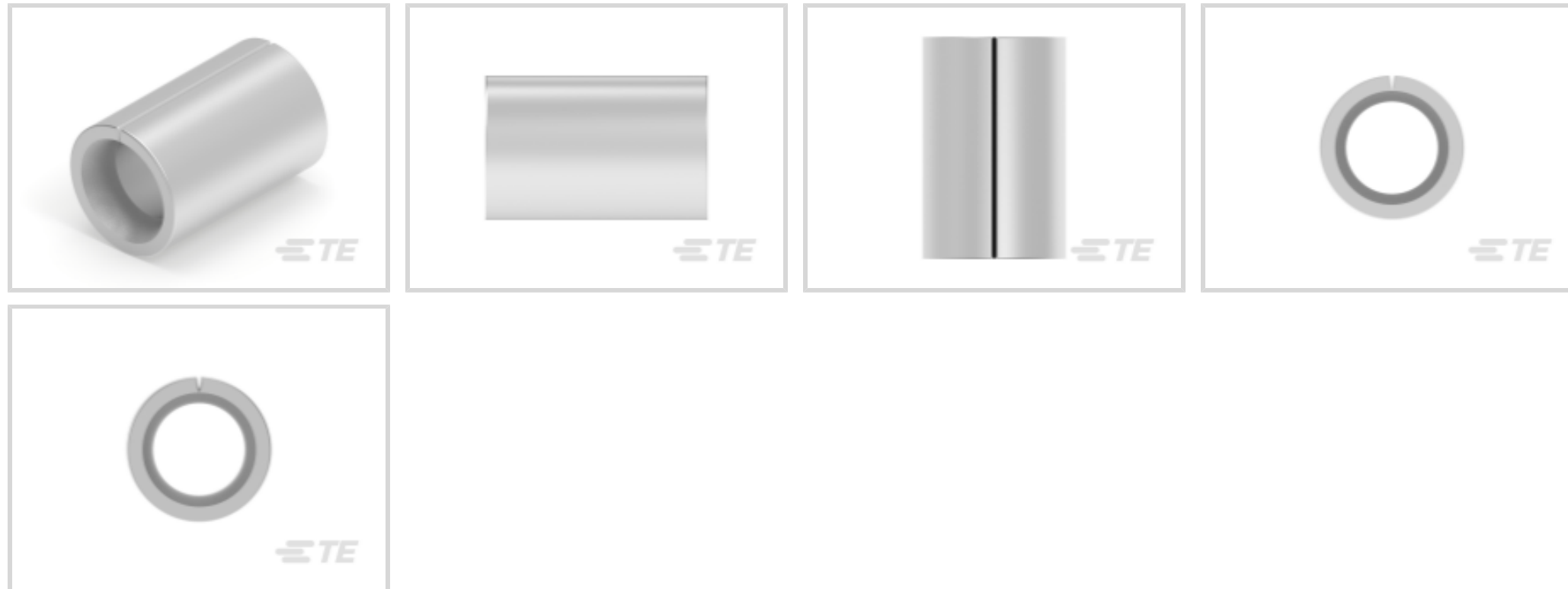
SOLISTRAND

TE Internal #: 34138-3

Splices, 12 – 10 AWG Wire Size, 3 – 6 mm<sup>2</sup> Wire Size, Standard, .129 in [3.28 mm] Barrel Inside Diameter, 5180 – 13100 CMA Wire Size, Copper

[View on TE.com >](#)

Terminals & Splices > Splices



Wire Size: 3 – 6 mm<sup>2</sup>

Sealable: No

Splice Features: Standard

Barrel Inside Diameter: 3.28 mm [ .129 in ]

Features

Product Type Features

Splice Accessory Type	Splice
Sealable	No
Splice Type	Parallel Splice
Serrated	Yes
Compatible With Discrete Wire Type	Stranded
Wire Insulation Support Retention Type	Non-Insulation Support

Configuration Features

Compatible With Wire & Cable Type	Discrete Wire
-----------------------------------	---------------

Body Features

Weight per Piece	4.536 g
Plating Material	Tin-Lead
Splice Features	Standard
Primary Product Material	Copper

Contact Features

--	--



	100 µin
Contact Plating Material	Tin
Barrel Type	Closed

#### Mechanical Attachment

Wire Insulation Support	Without
-------------------------	---------

#### Dimensions

Wire Size	5180 – 13100 CMA
Barrel Inside Diameter	3.28 mm[.129 in]
Terminal Material Thickness	.98 mm[.039 in]
Overall Product Length	8.71 mm[.343 in]

#### Usage Conditions

High Temperature Rating	170 °C[338 °F]
Insulation Requirement	Uninsulated
Operating Temperature Range	170 °C[338 °F]

#### Operation/Application

Heavy Duty	No
Compatible With Wire Base Material	Copper

#### Industry Standards

Government Qualified Splice	No
-----------------------------	----

#### Packaging Features

Packaging Quantity	500
Packaging Method	Loose Piece

#### Other

Military Category	No
-------------------	----

#### Product Compliance

[For compliance documentation, visit the product page on TE.com>](#)

EU RoHS Directive 2011/65/EU	Not Compliant
EU ELV Directive 2000/53/EC	Not Compliant
China RoHS 2 Directive MIIT Order No 32, 2016	Restricted Materials Above Threshold
EU REACH Regulation (EC) No. 1907/2006	Current ECHA Candidate List: JAN 2022 (223)



Candidate List Declared Against: JAN 2022  
 (223)

SVHC > Threshold:

Pb (40% in Component Part)

**Article Safe Usage Statements:**

Do not eat, drink or smoke when using this product. Wash thoroughly after handling. Recycle if possible and dispose of the article by following all applicable governmental regulations relevant to your geographic location.

Halogen Content

Low Halogen - Br, Cl, F, I < 900 ppm per homogenous material. Also BFR/CFR/PVC Free

Solder Process Capability

Not applicable for solder process capability

**Product Compliance Disclaimer**

This information is provided based on reasonable inquiry of our suppliers and represents our current actual knowledge based on the information they provided. This information is subject to change. The part numbers that TE has identified as EU RoHS compliant have a maximum concentration of 0.1% by weight in homogenous materials for lead, hexavalent chromium, mercury, PBB, PBDE, DBP, BBP, DEHP, DIBP, and 0.01% for cadmium, or qualify for an exemption to these limits as defined in the Annexes of Directive 2011/65/EU (RoHS2). Finished electrical and electronic equipment products will be CE marked as required by Directive 2011/65/EU. Components may not be CE marked. Additionally, the part numbers that TE has identified as EU ELV compliant have a maximum concentration of 0.1% by weight in homogenous materials for lead, hexavalent chromium, and mercury, and 0.01% for cadmium, or qualify for an exemption to these limits as defined in the Annexes of Directive 2000/53/EC (ELV). Regarding the REACH Regulation, the information TE provides on SVHC in articles for this part number is based on the latest European Chemicals Agency (ECHA) 'Guidance on requirements for substances in articles' posted at this URL: <https://echa.europa.eu/guidance-documents/guidance-on-reach>

## Compatible Parts



## Customers Also Bought



TE Part #205089-4  
HD 20 PIN CONTACT, NON-MAG



TE Part #YDTS26F11-35PAV001  
PLUG ASSY



TE Part #YDTS26F13-35PNV001  
Straight Plug: D38999, 13-35 Insert,  
Electroless Nickel Plating



TE Part #YDTS26G23-55PNV001  
PLUG ASSY



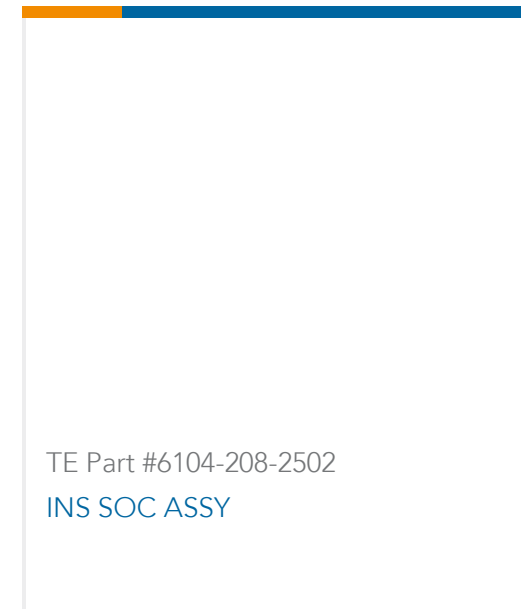
TE Part #YDTS26F15-19PAV001  
PLUG ASSY



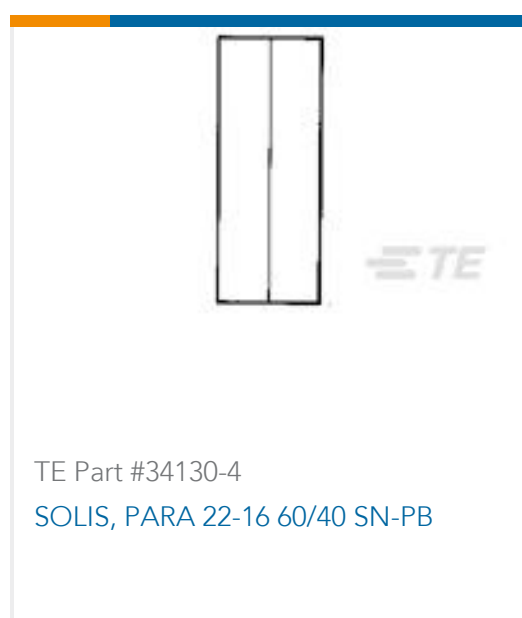
TE Part #YDTS26F21-35SNV001  
PLUG ASSY



TE Part #38943-12L  
CONTACT T12 FEMELLE (= 724-0007-  
12)



TE Part #6104-208-2502  
INS SOC ASSY



TE Part #34130-4  
SOLIS, PARA 22-16 60/40 SN-PB

## Documents

### Product Drawings

[SOLIS, PARA 12-10 60/40 SN-PB](#)

English

### CAD Files

Customer View Model

[ENG\\_CVM\\_CVM\\_34138-3\\_Y.2d\\_dxf.zip](#)

English

### 3D PDF

3D

Customer View Model

[ENG\\_CVM\\_CVM\\_34138-3\\_Y.3d\\_igs.zip](#)

English

Customer View Model

[ENG\\_CVM\\_CVM\\_34138-3\\_Y.3d\\_stp.zip](#)

English

By downloading the CAD file I accept and agree to the [Terms and Conditions](#) of use.

## Datasheets & Catalog Pages



**SOLISTRAND - QRG**

English