

Product Data Sheet 3412 N/2ME

**ebmpapst**

The engineer's choice



## 3412 N/2ME

## INDEX

<b>1</b>	<b>General</b> .....	<b>3</b>
<b>2</b>	<b>Mechanics</b> .....	<b>3</b>
2.1	General.....	3
2.2	Connections.....	3
<b>3</b>	<b>Operating Data</b> .....	<b>4</b>
3.1	Electrical Operating Data .....	4
3.2	Electrical Interface - Output.....	5
3.3	Electrical Features .....	5
3.4	Aerodynamics .....	7
3.5	Sound Data.....	8
<b>4</b>	<b>Environment</b> .....	<b>8</b>
4.1	General.....	8
4.2	Climatic Requirements .....	8
<b>5</b>	<b>Safety</b> .....	<b>9</b>
5.1	Electrical Safety .....	9
5.2	Approval Tests .....	9
<b>6</b>	<b>Reliability</b> .....	<b>9</b>
6.1	General.....	9

## 1 General

Fan type	Fan	
Rotating direction looking at rotor	Counterclockwise	
Airflow direction	Air outlet over struts	
Bearing system	Ball bearing	
Mounting position - shaft	Any	

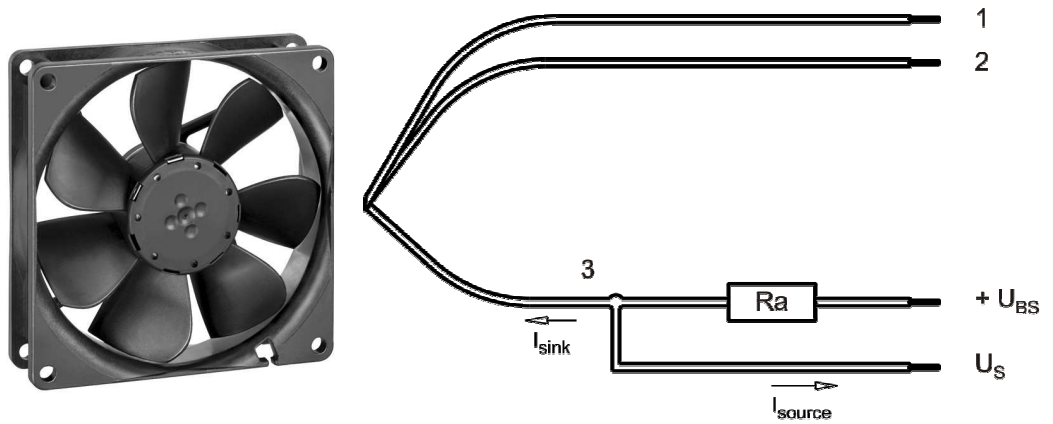
## 2 Mechanics

### 2.1 General

Width	92,0 mm	
Height	92,0 mm	
Depth	25,4 mm	
Mass	0,106 kg	
Housing material	Plastic	
Impeller material	Plastic	
Max. torque when mounted across both mounting flanges	Wire outlet corner: 40 Ncm Remaining corners: 60 Ncm	
Screw size	ISO 4762 - M4 degreased, without an additional brace and without washer	

### 2.2 Connections

Electrical connection	Wires	
Lead wire length	L = 310 mm	
Tolerance	+ - 10,0 mm	



Wire	Color	Operation	Wire size	Insulation diameter
1	red	+ UB	AWG 24	1,55 mm
2	blue	- GND	AWG 24	1,55 mm
3	white	Tacho	AWG 24	1,55 mm

The auxiliaries shown on the schematic diagram (which are required for the intended use) are not part of our delivery.

### 3 Operating Data

#### 3.1 Electrical Operating Data

Measurement conditions: Normal air density = 1,2 kg/m<sup>3</sup>; Temperature 23°C +/- 3°C; Motor axis horizontal; warm-up time before measuring 5 minutes (unless otherwise specified). In the intake and outlet area should not be any solid obstruction within 0,5 m.

$\Delta p = 0$ : corresp. to free air flow (see chapter aerodynamics)  
I: corresp. to arithm. mean current value

Features	Condition	Symbol	Values		
Voltage range		U	8,0 V		15,0 V
Nominal voltage		$U_N$		12,0 V	
Power consumption	$\Delta p = 0$	P	0,48 W	1,1 W	1,9 W
Tolerance	0010		+/- 17,5 %	+/- 12,5 %	+/- 15,0 %
Current consumption	$\Delta p = 0$	I	60 mA	90 mA	126 mA
Tolerance	0010		+/- 17,5 %	+/- 12,5 %	+/- 15,0 %
Speed	$\Delta p = 0$	n	1.630 1/min	2.300 1/min	2.700 1/min
Tolerance	0010		+/- 12,5 %	+/- 7,5 %	+/- 10,0 %
Starting current consumption				< 290 mA	

### 3.2 Electrical Interface - Output

Tacho type	/2 (open collector)
------------	---------------------



Features	Note	Values
Tacho operating voltage	$U_{BS}$	Min.: 4 V    Max.: 30 V
Tacho signal Low	$U_{S\ low}$	$I_{sink} \leq 2\text{ mA}$ $\leq 0,4\text{ V}$
Tacho signal High	$U_{S\ high}$	$I_{source} = 0\text{ mA}$ 30 V
Maximum sink current	$I_{sink}$	$\leq 4\text{ mA}$
External resistor	External resistor $R_a$ from $U_{BS}$ to $U_S$ required. All voltages measured to GND.	
Tacho frequency	$(2 \times n) / 60$	
Tacho isolated from motor	No	
Slew rate		$\Rightarrow 0,5\text{ V/us}$

$n$  = revolutions per minute (1/min)

### 3.3 Electrical Features

Electronic function	None	
Reversed polarity protection	Rectifying diode	
Max. residual current at $U_N$	$I_F \leq 50\text{ uA}$	
Locked rotor protection	Auto restart	
Locked rotor current at $U_N$	$I_{block}$ approx. 290 mA	
Clock signal at locked rotor	$t_3 / t_4$ typical: 1 s / 5 s	

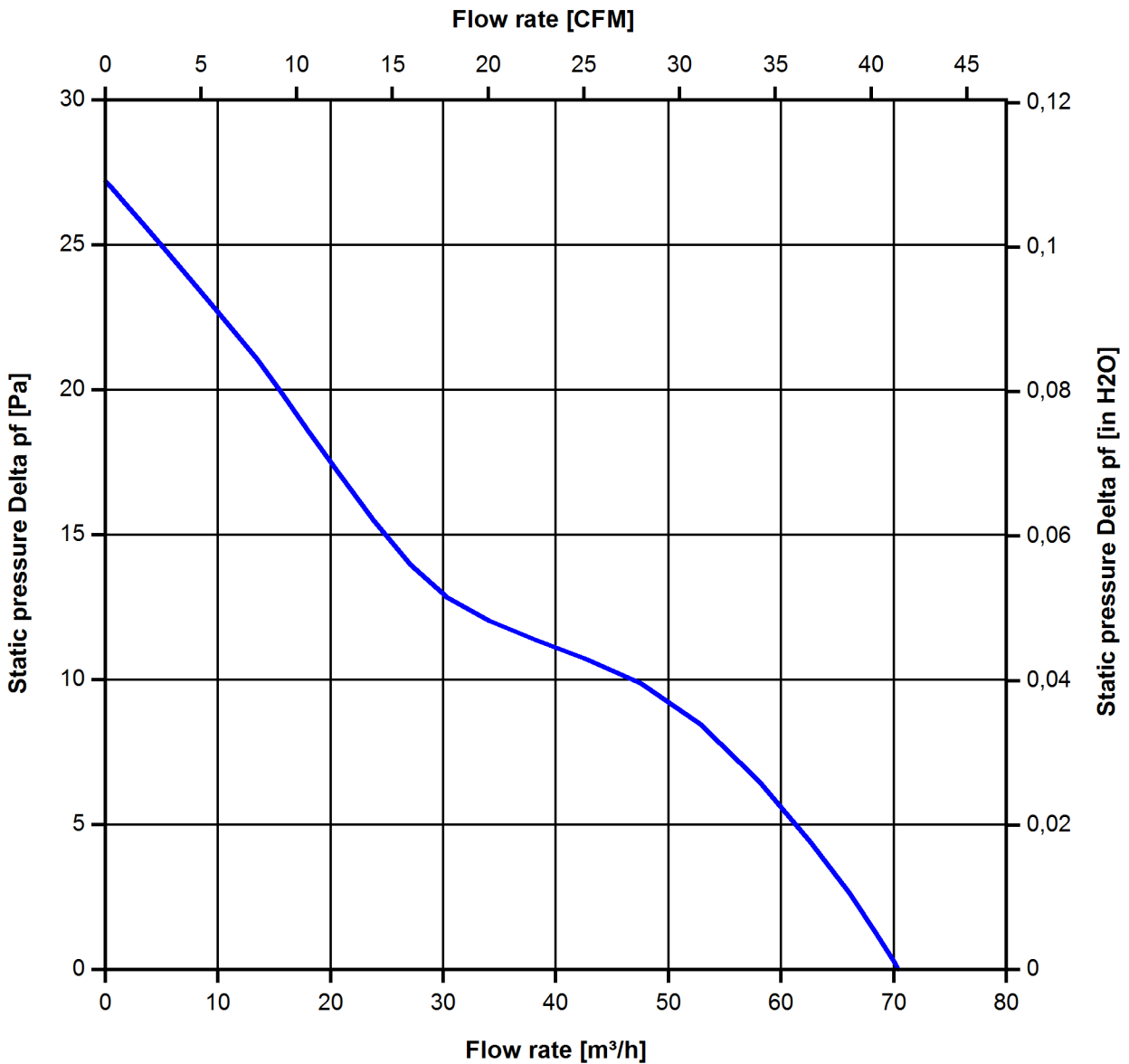


### 3.4 Aerodynamics

Measurement conditions: Measured with a double chamber intake rig acc. to DIN EN ISO 5801. Normal air density = 1,2 kg/m<sup>3</sup>; Temperature 23°C +/- 3°C; In the intake and outlet area should not be any solid obstruction within 0,5 m. Motor shaft horizontal.  
The information is only valid under the specified test conditions and may be changed by the installation conditions. If there are deviations from the standard test conditions, the characteristic values must be checked under the installed conditions.

a.) Operation condition:

2.300 1/min at free air flow		
Max. free-air flow ( $\Delta p = 0 / \dot{V} = \max.$ )	70,0 m <sup>3</sup> /h	
Max. static pressure ( $\Delta p = \max. / \dot{V} = 0$ )	27 Pa	



### 3.5 Sound Data

Measurement conditions: Sound pressure level: 1 meter distance between microphone and the air intake.  
 Sound power level: Acc. to DIN 45635 part 38 (ISO 10302)  
 Measured in a semianchoic chamber with a background noise level of  $L_p(A) < 5 \text{ dB(A)}$   
 For further measurement conditions see chapter aerodynamics.

a.) Operation condition:

2.300 1/min at free air flow		
Optimal operating point	51,0 m <sup>3</sup> /h @ 8 Pa	
Sound power level at the optimal operating point	4,3 bel(A)	
Sound pressure level at free air flow, measured in rubber bands	29,0 dB(A)	

## 4 Environment

### 4.1 General

Min. permitted ambient temperature TU min.	-20 °C	
Max. permitted ambient temperature TU max.	75 °C	
Min. permitted storage temperature TL min.	-40 °C	
Max. permitted storage temperature TL max.	80 °C	

### 4.2 Climatic Requirements

Humidity requirements	humid heat, constant; according to DIN EN 60068-2-78, 14 days	
Water exposure	None	
Dust requirements	None	
Salt fog requirements	None	

Permitted application area:

The product is intended for use in sheltered rooms with controlled temperature and controlled humidity. Directly exposure to water must be avoided.

Pollution degree 1 (according DIN EN 60664-1)

There is either no pollution or it occurs only dry, non-conductive pollution. The pollution has no negative impact.

Please require severity levels and specification parameters from the responsible development departments.



**5 Safety**

**5.1 Electrical Safety**

Dielectric strength DIN EN 60950 (VDE 0805) and DIN EN 60335 (VDE 0700) A.) Type test Measuring conditions: After 48h of storage at 95% R.H. and 25°C. No arcing or breakdown is allowed! All connections together to ground.	Not applicable	
B.) Routine test Measuring conditions: At indoor climate. No arcing or breakdown is allowed! All connections together to ground.	Not applicable	
Isolation resistance Measuring conditions: After 48h of storage at 95% R.H. and 25°C measured with U=500 VDC for 1 min.	RI > 10 MOhm	
Clearance / creepage distance	1,0 mm / 1,2 mm	
Protection class	III	

**5.2 Approval Tests**

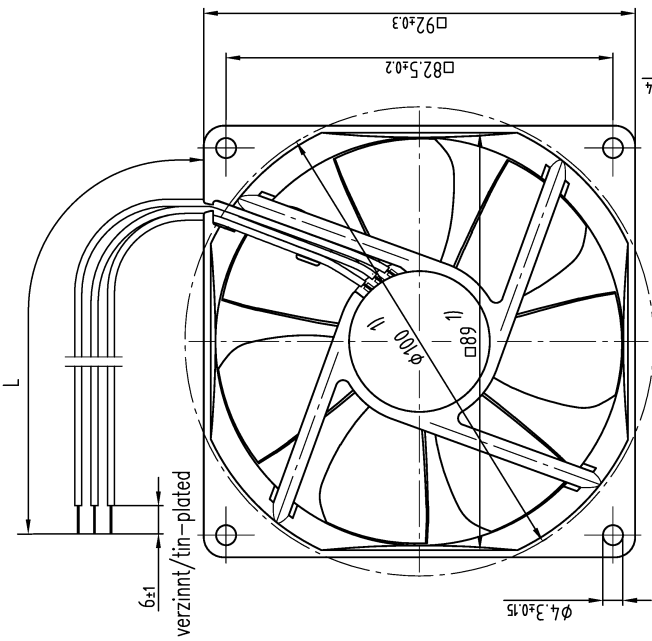
CE	EC Declaration of Conformity	Yes
EAC	Eurasian Conformity	Yes
UL	Underwriters Laboratories	Yes / UL507, Electric Fans
VDE	Association for Electrical, Electronic and Information Technologies	Yes / Approval acc. to EN 60950 (VDE 0805) - Information technology equipment
CSA	Canadian Standards Association	Yes / C22.2 No. 113 Fans and Ventilators
CCC	China Compulsory Certification	Not applicable

**6 Reliability**

**6.1 General**

Life expectancy L10 at TU = 40 °C	75.000 h	
Life expectancy L10 at TU max.	32.500 h	
Life expectancy L10 acc. to IPC 9591 at TU = 40 °C	127.500 h	

Anzahl und Länge der Litze s. Spezifikation  
length and number of wires see design specification



1) Maße für Montagewand  
Axialspiel bei  
- Kugellagerung (K): 0 (mit Federausgleich)  
- Gleitlagerung (G): 0.1 - 1.6

1) dimensions for assembly wall  
axial clearance by  
- ball bearing (K): 0 (with spring compensation)  
- sleeve bearing (G): 0.1 - 1.6

SWP-Stab/Side	Änd.-Nr./Change-No.	Aut./Üb.-System-Version CAD-Übersetzung/ CAT-Exportversion	ebmpapst		Werkstoff/Material	Volumen/Volume (mm <sup>3</sup> ):
			Datum/Date	Name/Name		
Tolerierung/Tolerances: Allgemeintoleranzen/Gen. tolerances:	Beim/ Drawn	Gepr./ Checked	Artikel/Title			Zug-/Nr./ Drawing-No.:
	Empf./ Receives		Feldname/ Part/Pagel			
						Formal/Size
						Maßstab/Scale
						Ess./Zug./Replaces:
						Formal/Size
						Maßstab/Scale
						Formal/Size
						Maßstab/Scale
						Formal/Size
						Maßstab/Scale
						Formal/Size
						Maßstab/Scale
						Formal/Size
						Maßstab/Scale
						Formal/Size
						Maßstab/Scale
						Formal/Size
						Maßstab/Scale
						Formal/Size
						Maßstab/Scale
						Formal/Size
						Maßstab/Scale
						Formal/Size
						Maßstab/Scale
						Formal/Size
						Maßstab/Scale
						Formal/Size
						Maßstab/Scale
						Formal/Size
						Maßstab/Scale
						Formal/Size
						Maßstab/Scale
						Formal/Size
						Maßstab/Scale
						Formal/Size
						Maßstab/Scale
						Formal/Size
						Maßstab/Scale
						Formal/Size
						Maßstab/Scale
						Formal/Size
						Maßstab/Scale
						Formal/Size
						Maßstab/Scale
						Formal/Size
						Maßstab/Scale
						Formal/Size
						Maßstab/Scale
						Formal/Size
						Maßstab/Scale
						Formal/Size
						Maßstab/Scale
						Formal/Size
						Maßstab/Scale
						Formal/Size
						Maßstab/Scale
						Formal/Size
						Maßstab/Scale
						Formal/Size
						Maßstab/Scale
						Formal/Size
						Maßstab/Scale
						Formal/Size
						Maßstab/Scale
						Formal/Size
						Maßstab/Scale
						Formal/Size
						Maßstab/Scale
						Formal/Size
						Maßstab/Scale
						Formal/Size
						Maßstab/Scale
						Formal/Size
						Maßstab/Scale
						Formal/Size
						Maßstab/Scale
						Formal/Size
						Maßstab/Scale
						Formal/Size
						Maßstab/Scale
						Formal/Size
						Maßstab/Scale
						Formal/Size
						Maßstab/Scale
						Formal/Size
						Maßstab/Scale
						Formal/Size
						Maßstab/Scale
						Formal/Size
						Maßstab/Scale
						Formal/Size
						Maßstab/Scale
						Formal/Size
						Maßstab/Scale
						Formal/Size
						Maßstab/Scale
						Formal/Size
						Maßstab/Scale
						Formal/Size
						Maßstab/Scale
						Formal/Size
						Maßstab/Scale
						Formal/Size
						Maßstab/Scale
						Formal/Size
						Maßstab/Scale
						Formal/Size
						Maßstab/Scale
						Formal/Size
						Maßstab/Scale
						Formal/Size
						Maßstab/Scale
						Formal/Size
						Maßstab/Scale
						Formal/Size
						Maßstab/Scale
						Formal/Size
						Maßstab/Scale
						Formal/Size
						Maßstab/Scale
						Formal/Size
						Maßstab/Scale
						Formal/Size
						Maßstab/Scale
						Formal/Size
						Maßstab/Scale
						Formal/Size
						Maßstab/Scale
						Formal/Size
						Maßstab/Scale
						Formal/Size
						Maßstab/Scale
						Formal/Size
						Maßstab/Scale
						Formal/Size
						Maßstab/Scale
						Formal/Size
						Maßstab/Scale
						Formal/Size
						Maßstab/Scale
						Formal/Size
						Maßstab/Scale
						Formal/Size
						Maßstab/Scale
						Formal/Size
						Maßstab/Scale
						Formal/Size
						Maßstab/Scale
						Formal/Size
						Maßstab/Scale
						Formal/Size
						Maßstab/Scale
						Formal/Size
						Maßstab/Scale
						Formal/Size
						Maßstab/Scale
						Formal/Size
						Maßstab/Scale
						Formal/Size
						Maßstab/Scale
						Formal/Size
						Maßstab/Scale
						Formal/Size
						Maßstab/Scale
						Formal/Size
						Maßstab/Scale
						Formal/Size
						Maßstab/Scale
						Formal/Size
						Maßstab/Scale
						Formal/Size
						Maßstab/Scale
						Formal/Size
						Maßstab/Scale
						Formal/Size
						Maßstab/Scale
						Formal/Size
						Maßstab/Scale
						Formal/Size
						Maßstab/Scale
						Formal/Size
						Maßstab/Scale
						Formal/Size
						Maßstab/Scale
						Formal/Size
						Maßstab/Scale
						Formal/Size
						Maßstab/Scale
						Formal/Size
						Maßstab/Scale
						Formal/Size
						Maßstab/Scale
						Formal/Size
						Maßstab/Scale
						Formal/Size
						Maßstab/Scale
						Formal/Size
						Maßstab/Scale
						Formal/Size
						Maßstab/Scale
						Formal/Size
						Maßstab/Scale
						Formal/Size
						Maßstab/Scale
						Formal/Size
						Maßstab/Scale
						Formal/Size
						Maßstab/Scale
						Formal/Size
						Maßstab/Scale
						Formal/Size