

341001-4 ✓ ACTIVE

[Positive Lock](#) | [Positive Lock 250](#)

TE Internal #: 341001-4

Positive Lock 250, Quick Disconnects, Receptacle, 13 – 11 AWG

Wire Size, 2.62 – 4.17 mm<sup>2</sup> Wire Size, Mating Tab Width .25 in [6.35 mm], Straight

[View on TE.com >](#)



Terminals & Splices > Quick Disconnects



Quick Disconnect Terminal Type: **Receptacle**

Wire Size: **2.62 – 4.17 mm<sup>2</sup>**

Mating Tab Width: **6.35 mm [ .25 in ]**

Mating Tab Thickness: **.81 mm [ .032 in ]**

## Features

### Product Type Features

Terminates To	Wire & Cable
Wire Stop	No
Wire/Cable Type	FLK
Insertion Force	Low
Sealable	No

### Configuration Features

Connection Capacity	Single
---------------------	--------

### Contact Features

Quick Disconnect Terminal Type	Receptacle
Mating Tab Width	6.35 mm[.25 in]
Mating Tab Thickness	.81 mm[.032 in]
Terminal Orientation	Straight
Contact Base Material	Phosphor Bronze
Terminal Plating Material	Tin
Crimp Type	F-Crimp



Barrel Type	Open
-------------	------

### Mechanical Attachment

Mating Retention Type	Dimple
Extraction Force	7 – 100 Newton
Wire Insulation Support	With

### Dimensions

Accepts Wire Insulation Diameter Range	3.6 – 4.3 mm [.141 – .169 in]
Overall Length	22.76 mm [.896 in]
Receptacle Terminal Stock Thickness	.41 mm [.016 in]
Wire Size	2.62 – 4.17 mm <sup>2</sup>

### Usage Conditions

Insulation Requirement	Uninsulated
Operating Temperature Range	-40 – 110 °C [-40 – 230 °F]

### Industry Standards

UL Rating	Recognized
-----------	------------

### Packaging Features

Packaging Quantity	500
Packaging Method	Loose Piece/Carton

### Product Compliance

[For compliance documentation, visit the product page on TE.com>](#)

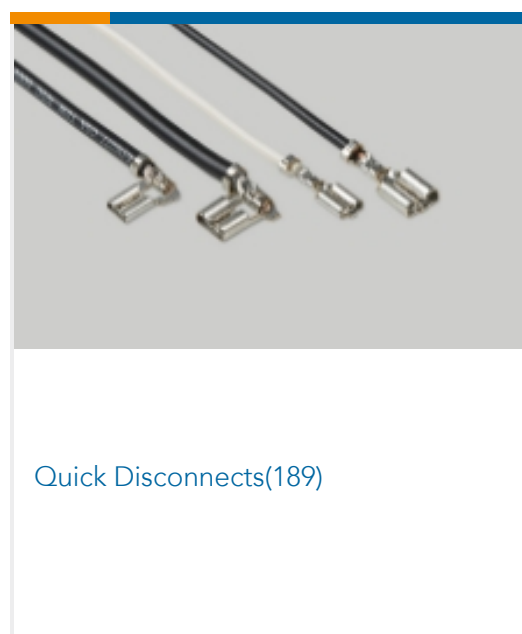
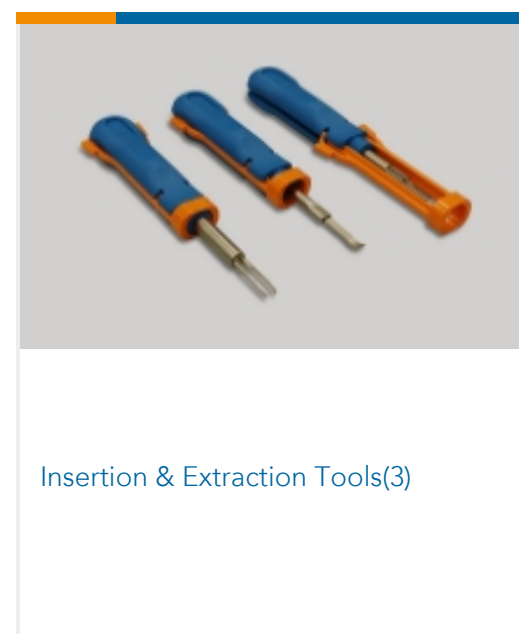
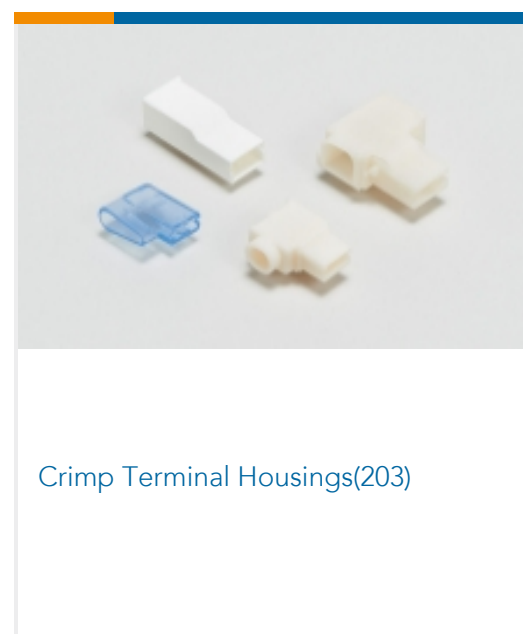
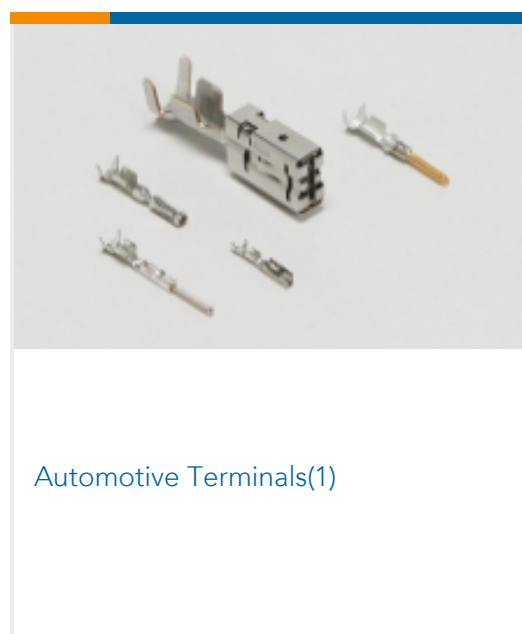
EU RoHS Directive 2011/65/EU	Compliant
EU ELV Directive 2000/53/EC	Compliant
China RoHS 2 Directive MIIT Order No 32, 2016	No Restricted Materials Above Threshold
EU REACH Regulation (EC) No. 1907/2006	Current ECHA Candidate List: JAN 2022 (223) Candidate List Declared Against: JAN 2022 (223) Does not contain REACH SVHC
Halogen Content	Low Halogen - Br, Cl, F, I < 900 ppm per homogenous material. Also BFR/CFR/PVC Free
Solder Process Capability	Not applicable for solder process capability

This information is provided based on reasonable inquiry of our suppliers and represents our current actual knowledge based on the information they provided. This information is subject to change. The part numbers that TE has identified as EU RoHS compliant have a maximum concentration of 0.1% by weight in homogenous materials for lead, hexavalent chromium, mercury, PBB, PBDE, DBP, BBP, DEHP, DIBP, and 0.01% for cadmium, or qualify for an exemption to these limits as defined in the Annexes of Directive 2011/65/EU (RoHS2). Finished electrical and electronic equipment products will be CE marked as required by Directive 2011/65/EU. Components may not be CE marked. Additionally, the part numbers that TE has identified as EU ELV compliant have a maximum concentration of 0.1% by weight in homogenous materials for lead, hexavalent chromium, and mercury, and 0.01% for cadmium, or qualify for an exemption to these limits as defined in the Annexes of Directive 2000/53/EC (ELV). Regarding the REACH Regulation, the information TE provides on SVHC in articles for this part number is based on the latest European Chemicals Agency (ECHA) 'Guidance on requirements for substances in articles' posted at this URL: <https://echa.europa.eu/guidance-documents/guidance-on-reach>

## Compatible Parts



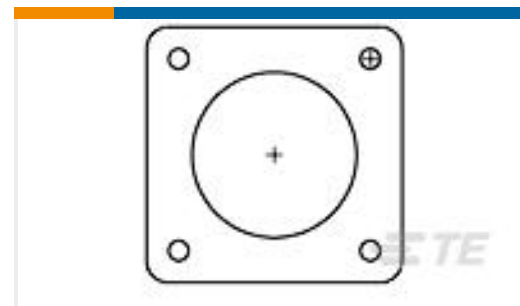
## Also in the Series | Positive Lock 250



## Customers Also Bought



TE Part #206043-4  
CPC RECPT ASSEMBLY SIZE 17-14



TE Part #81665-5  
ECONOSEAL, FLANGE GASKET



TE Part #350705-1  
UMNL SPLIT PIN 20-14 PTPBR L/P



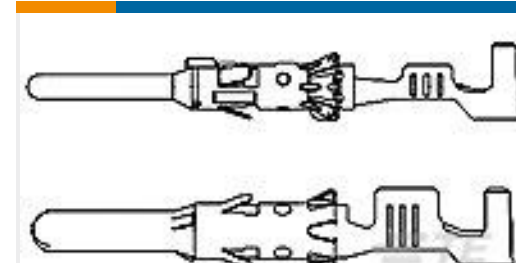
TE Part #928343-8  
STD-TIMER GEH 8P



TE Part #794279-1  
12P UMNL INTERFACE SEAL



TE Part #965576-1  
ABDECKKAPPE 90GRD



TE Part #962972-1  
2,5MMD PIN CONTACT



TE Part #928343-6  
STD-TIM GEH 6P



TE Part #3-928343-8  
STD-TIMER GEH 8P

## Documents

### Product Drawings

[PL 250 REC TERMINAL 13-11 TPPB LP](#)

English

### CAD Files

[3D PDF](#)

3D

Customer View Model

[ENG\\_CVM\\_CVM\\_341001-4\\_C.2d\\_dxf.zip](#)

English

Customer View Model

[ENG\\_CVM\\_CVM\\_341001-4\\_C.3d\\_igs.zip](#)

English

Customer View Model

[ENG\\_CVM\\_CVM\\_341001-4\\_C.3d\\_stp.zip](#)

English

By downloading the CAD file I accept and agree to the [Terms and Conditions](#) of use.

### Product Specifications

341001-4

Positive Lock 250, Quick Disconnects, Receptacle, 13 – 11 AWG Wire Size, 2.62 – 4.17 mm<sup>2</sup> Wire Size, Mating Tab Width .25 in [6.35 mm], Straight



**Positive Lock**

English

**Product Specification**

English