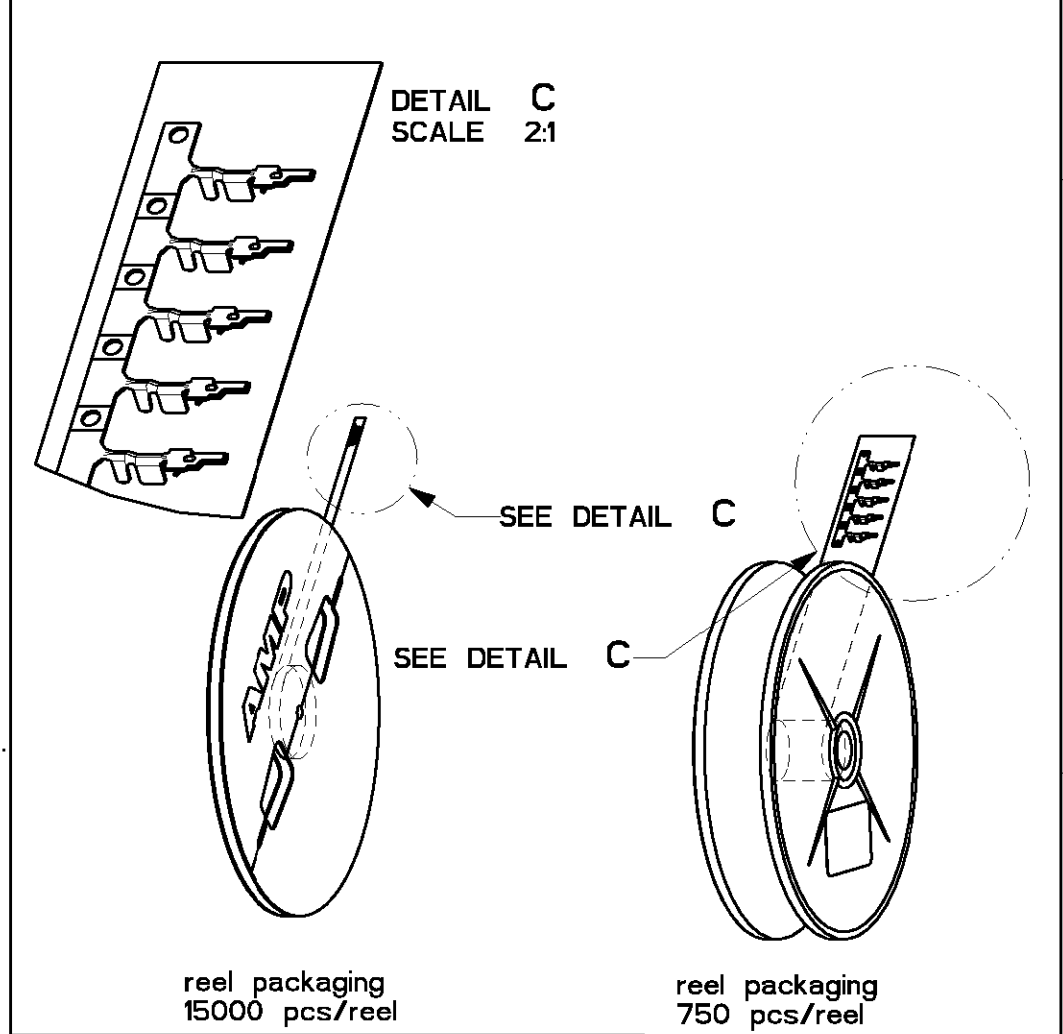
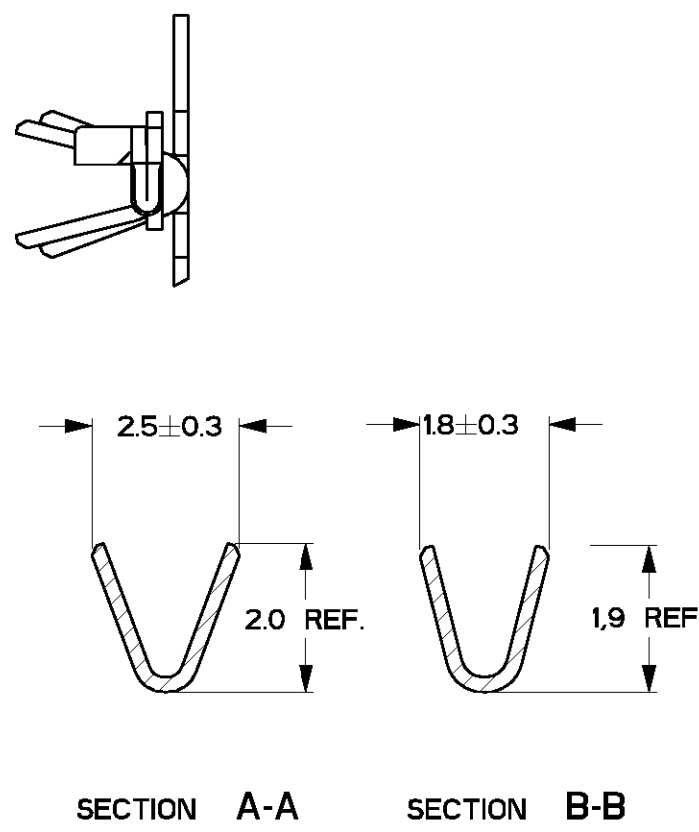
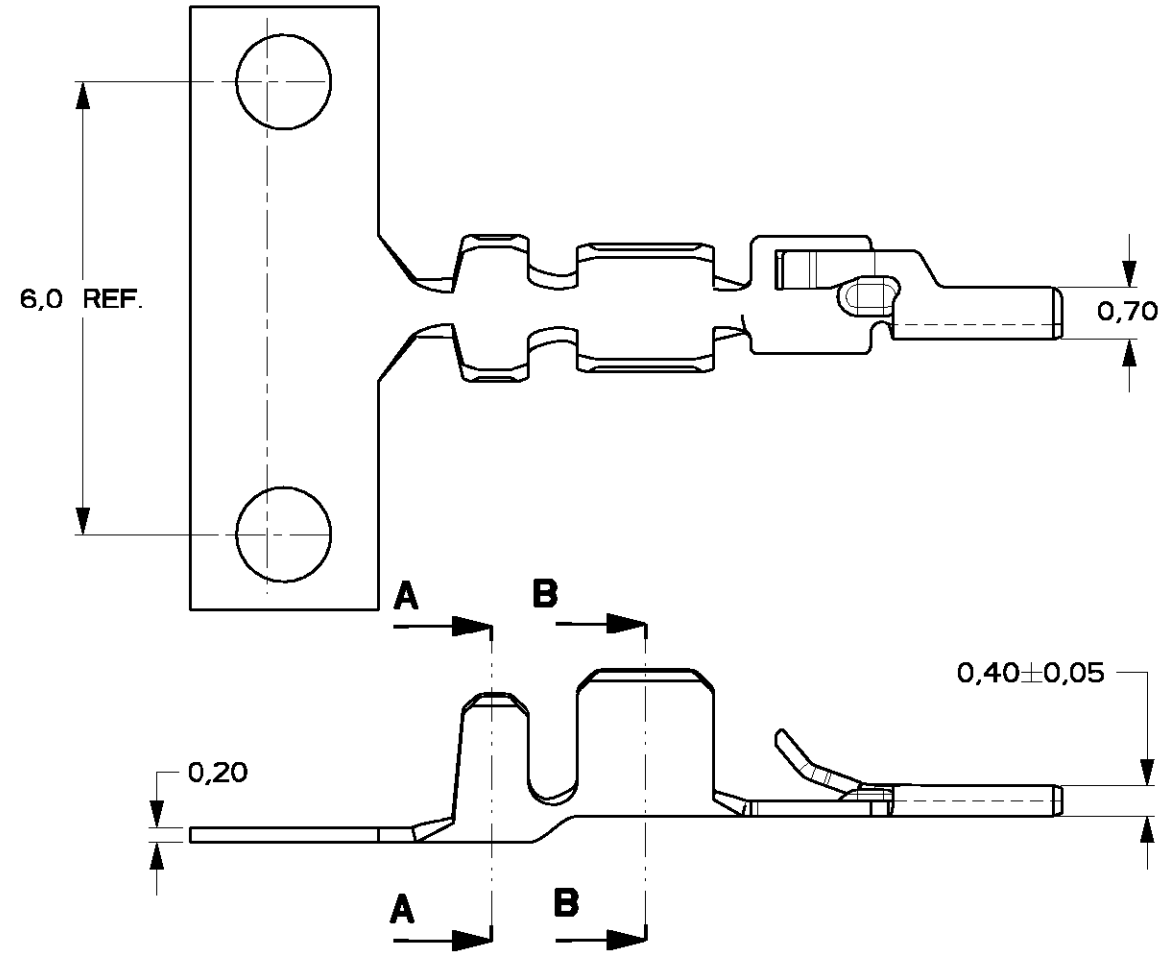
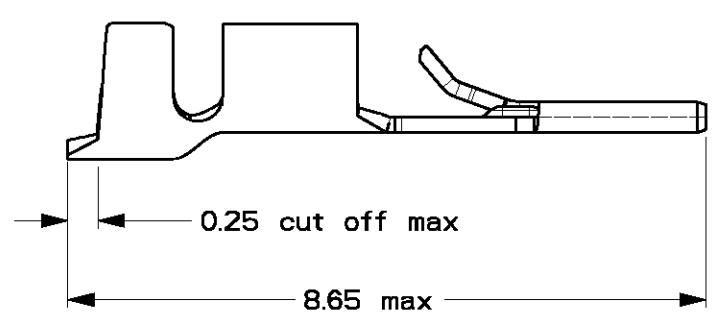
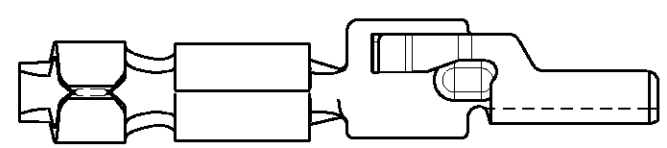


THIS DRAWING IS UNPUBLISHED. **XXXXXXXXXXXXX** DATE: -  
 © COPYRIGHT - 97 By Tyco Electronics Nederland B.V. ALL RIGHTS RESERVED.

LOC	DIST	REVISIONS			
H	-	LTR	DESCRIPTION	DATE	APVD
		B	ECN 1381/98	08/09/98	MG
		D	ECN 0080-00	18/04/00	MG
		E	EH01-0232-04	16 FEB 04	EL



- NOTES:**
1. WIRE RANGE 24-20 AWG
  2. INSULATION RANGE  $\varnothing$  .50- .060 (1,27-1,52 mm)
  3. FOR APPLICATOR USE ONLY
  4. FOR HANDTOOL USE ONLY
  5. FOR APPLICABLE CONNECTOR HOUSINGS SEE C-338095.



4	750	Pre-Tin	COSI-contact	Phosphorbronze	1-0338097-1
3	15000	Pre-Tin	COSI-contact	Phosphorbronze	0-0338097-1
	Pcs/reel	Finish	Description	Material	Partnumber

THIS DRAWING IS A CONTROLLED DOCUMENT FOR Tyco Electronics Nederland B.V. IT IS SUBJECT TO CHANGE AND THE CONTROLLING ENGINEERING ORGANIZATION SHOULD BE CONTACTED FOR THE LATEST REVISION.		DWN <b>M.V.AMELSFORT</b>	<b>AMP</b> Tyco Electronics Nederland B.V. 's-HERTOGENBOSCH, THE NETHERLANDS
DIMENSIONS: mm		CHK <b>H.v.Delft</b>	
TOLERANCES UNLESS OTHERWISE SPECIFIED: 0 PLC ± 0.2 1 PLC ± 0.1 2 PLC ± 0.05 3 PLC ± 0.01 4 PLC ± - ANGLES ± 0.2°		APVD -	NAME <b>MICRO-MATCH COSI CONTACT</b> <b>20-24 AWG</b>
MATERIAL <b>Pre-tinplated</b>		PRODUCT SPEC <b>108-19052</b>	SIZE <b>A3</b>
		APPLICATION SPEC <b>114-19051</b>	CAGE CODE <b>00779</b>
		WEIGHT -	DRAWING NO <b>C-338097</b>
<b>CUSTOMER DRAWING</b>			SCALE 10:1 SHEET 1 OF 1 REV E