

330896 ✓ ACTIVE

PIDG

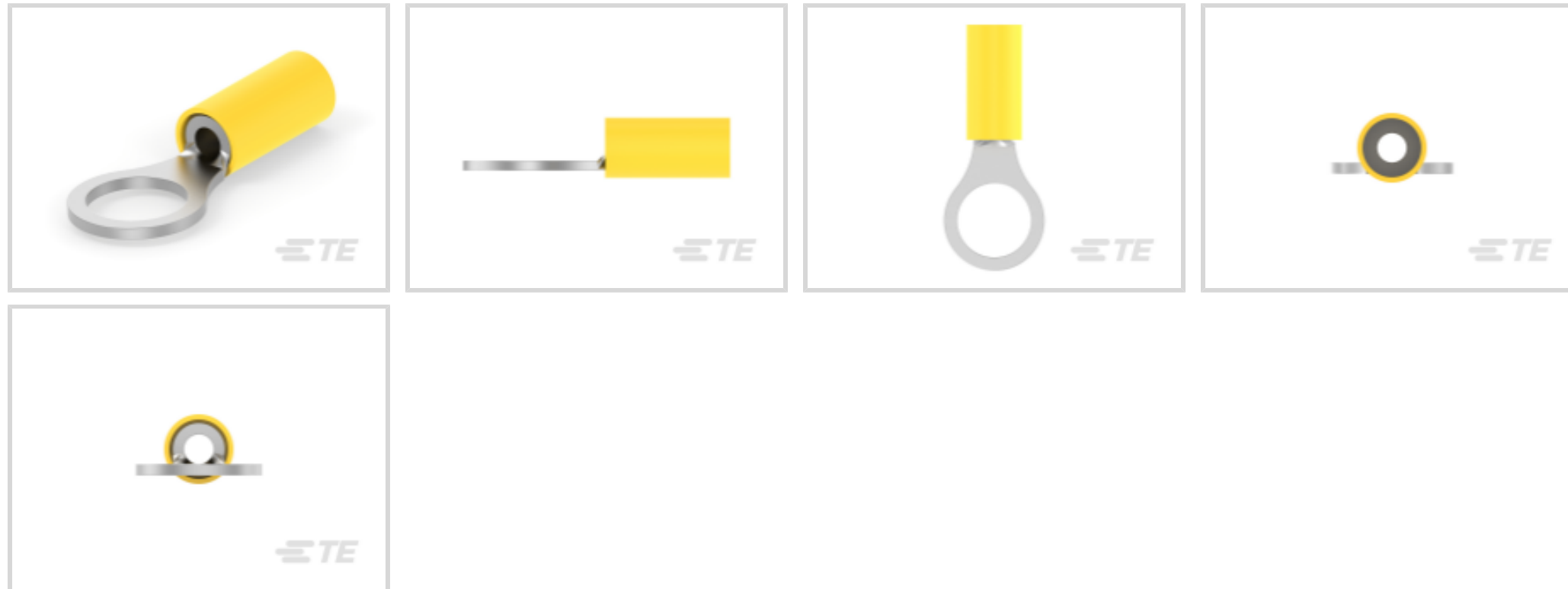
TE Internal #: 330896

PIDG, Ring Terminals & Spade Terminals, Ring Tongue, 16 – 14 AWG Wire Size, 1.3 – 2 mm² Wire Size, 2050 – 5180 CMA Wire Size, Stud Size 3/8

[View on TE.com >](#)



Terminals & Splices > Ring Terminals & Spade Terminals > PIDG RING TONGUE TERMINALS



Ring & Spade Terminal Type: **Ring Tongue**

Wire Size: **2050 – 5180 CMA**

Stud Size: **3/8**

[All PIDG RING TONGUE TERMINALS \(422\)](#)

Features

Product Type Features

Terminal Features	Sheared
Shape Description	RING-041
Stud Size	3/8
Sealable	No
Wire Insulation Support Retention Type	Insulation Support

Configuration Features

Number of Holes	1
Terminal Angle	180 °

Electrical Characteristics

Voltage (Max)	300 V
---------------	-------

Body Features

Inspection Slot	No
Insulation Sleeve Color	Yellow
Weight per Piece	4.889 g



Stripe Color	Black
--------------	-------

Contact Features

Ring & Spade Terminal Type	Ring Tongue
----------------------------	-------------

Barrel Type	Closed
-------------	--------

Terminal Orientation	Straight
----------------------	----------

Terminal Plating Material	Tin
---------------------------	-----

Mechanical Attachment

Wire Insulation Support	With
-------------------------	------

Dimensions

Wire Size	2050 – 5180 CMA
-----------	-----------------

Stud Diameter	9.91 mm[.39 in]
---------------	-----------------

Tongue Thickness	.79 mm[.031 in]
------------------	-----------------

Overall Product Length	32.9 mm[1.296 in]
------------------------	-------------------

Accepts Wire Insulation Diameter (Max)	5.84 mm[.23 in]
----------------------------------------	-----------------

Accepts Wire Insulation Diameter Range	3.81 – 5.84 mm[.15 – .23 in]
----------------------------------------	------------------------------

Usage Conditions

Insulation Requirement	Partially Insulated
------------------------	---------------------

Operating Temperature Range	105 °C[221 °F]
-----------------------------	----------------

Operation/Application

Compatible With Wire Base Material	Copper
------------------------------------	--------

Compatible With Wire Plating Material	Tin
---------------------------------------	-----

Heavy Duty	Yes
------------	-----

Industry Standards

Government Qualified	No
----------------------	----

Packaging Features

Packaging Quantity	500
--------------------	-----

Packaging Method	Loose Piece
------------------	-------------

Other

Comment	Heavy Duty for extra mechanical strength
---------	------------------------------------------

Product Compliance

For compliance documentation, visit the product page on [TE.com](https://www.te.com)>



EU RoHS Directive 2011/65/EU	Compliant
EU ELV Directive 2000/53/EC	Compliant
China RoHS 2 Directive MIIT Order No 32, 2016	No Restricted Materials Above Threshold
EU REACH Regulation (EC) No. 1907/2006	Current ECHA Candidate List: JAN 2022 (223) Candidate List Declared Against: JAN 2022 (223) Does not contain REACH SVHC
Halogen Content	Low Halogen - Br, Cl, F, I < 900 ppm per homogenous material. Also BFR/CFR/PVC Free
Solder Process Capability	Not applicable for solder process capability

Product Compliance Disclaimer

This information is provided based on reasonable inquiry of our suppliers and represents our current actual knowledge based on the information they provided. This information is subject to change. The part numbers that TE has identified as EU RoHS compliant have a maximum concentration of 0.1% by weight in homogenous materials for lead, hexavalent chromium, mercury, PBB, PBDE, DBP, BBP, DEHP, DIBP, and 0.01% for cadmium, or qualify for an exemption to these limits as defined in the Annexes of Directive 2011/65/EU (RoHS2). Finished electrical and electronic equipment products will be CE marked as required by Directive 2011/65/EU. Components may not be CE marked. Additionally, the part numbers that TE has identified as EU ELV compliant have a maximum concentration of 0.1% by weight in homogenous materials for lead, hexavalent chromium, and mercury, and 0.01% for cadmium, or qualify for an exemption to these limits as defined in the Annexes of Directive 2000/53/EC (ELV). Regarding the REACH Regulation, the information TE provides on SVHC in articles for this part number is based on the latest European Chemicals Agency (ECHA) 'Guidance on requirements for substances in articles' posted at this URL: <https://echa.europa.eu/guidance-documents/guidance-on-reach>

Compatible Parts

TE Part # 58433-3
PRO CR ASSY, RBY IS9252

TE Part # 59239-4
HHHT PIDG PG 12-10 ASSY

TE Part # 58423-1
DIE, RBY IS9252

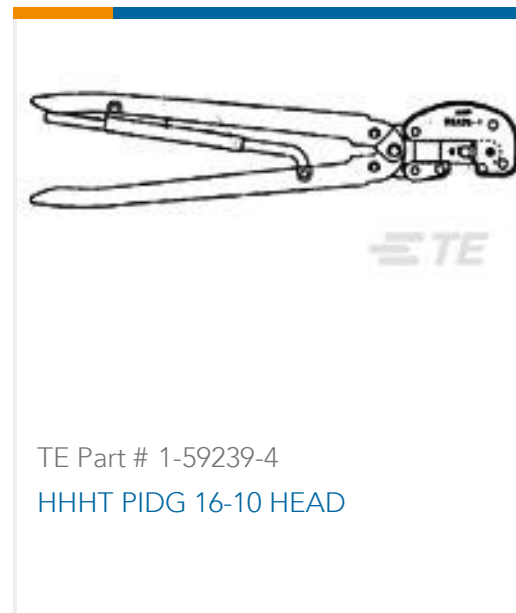
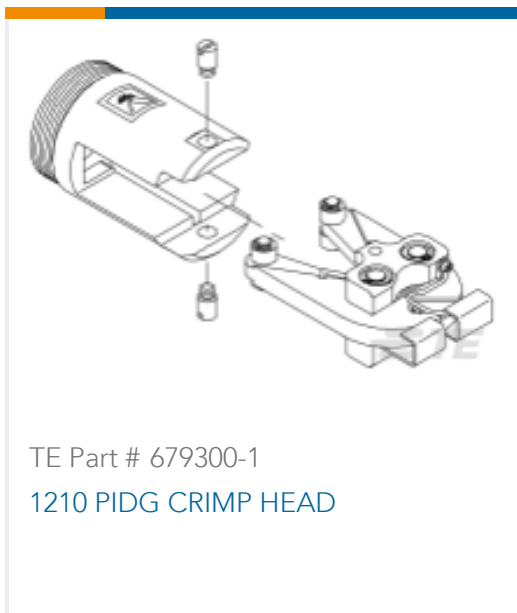
TE Part # 59824-1
TETRA-CRIMP PIDG PG FASTON 22-10 ASSY

TE Part # 539691-2
ERGO DIE R.B.Y

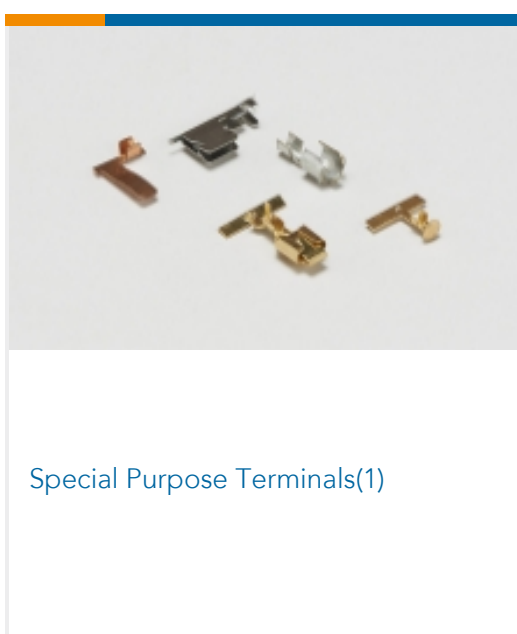
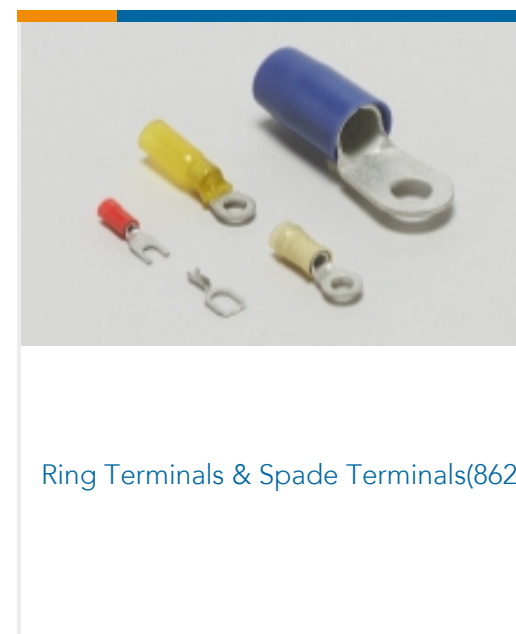
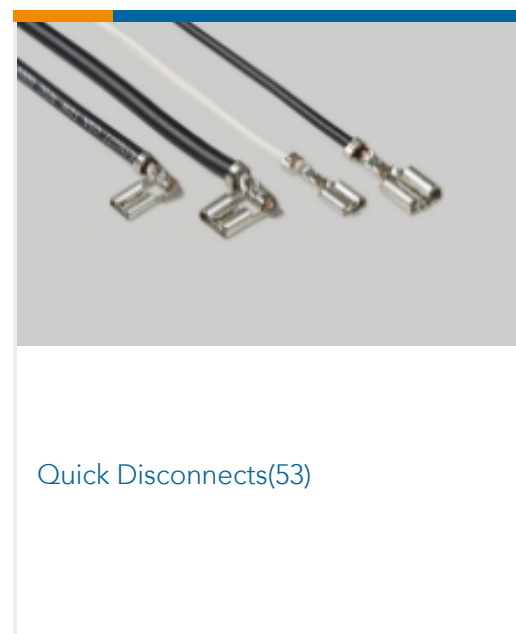
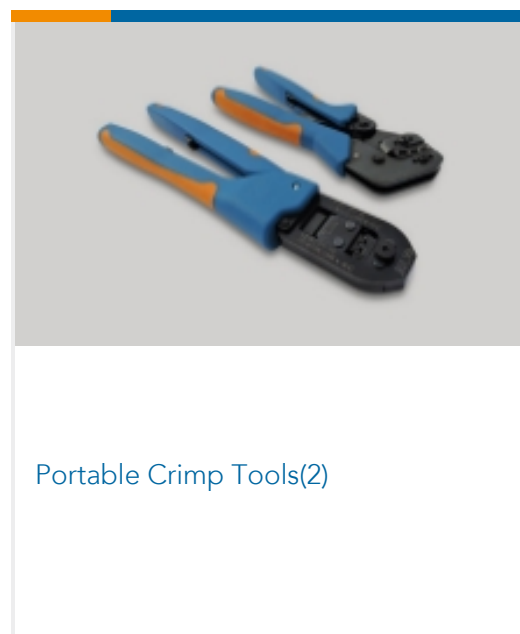
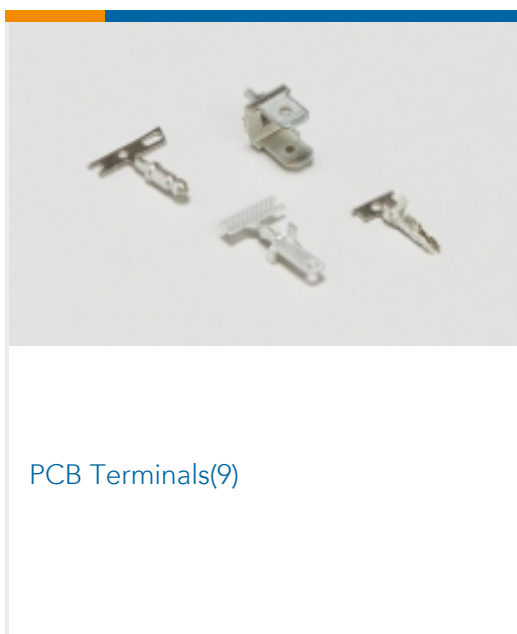
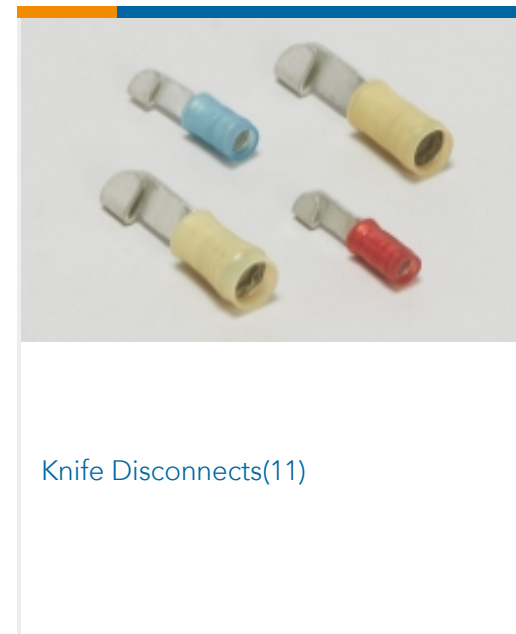
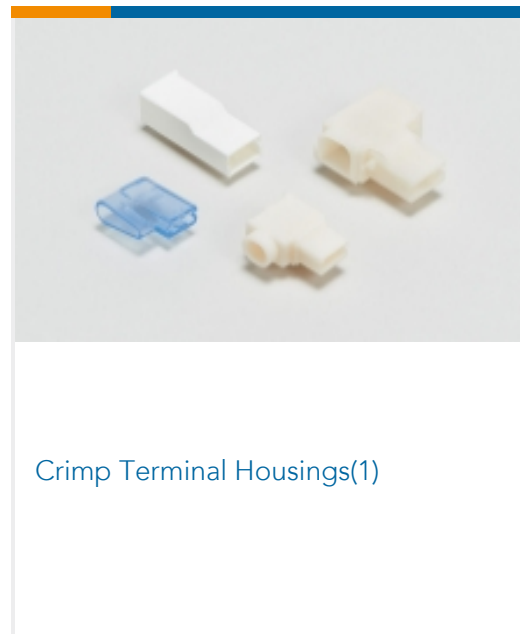
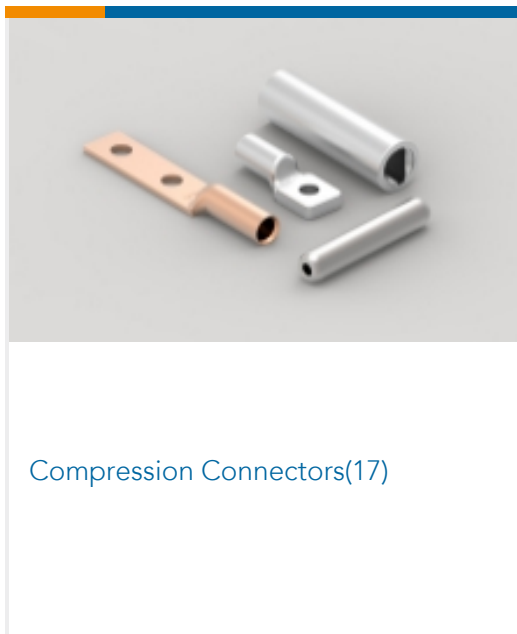
TE Part # 2063030-1
SDE DIESET, RBY, UL

TE Part # 2063361-1
DIE ASM, 12-10 PIDG, BATT TL

TE Part # 47808-6
DIES PIDG 12-10 DIE SET



Also in the Series | PIDG



Customers Also Bought



TE Part #11031511-00
PIEZOELECTRIC TRAFFIC SENSOR



TE Part #11029080-00
BL CLS 1, 6'SENSOR/300' CABLE



TE Part #11032302-00
BL CLS 2, 10'SENSOR/150'



TE Part #11028643-00
BL CLS 2, 10'SENSOR/250'



TE Part #5-1005438-8
BL CLS 1, 11'SENSOR/450' CABLE



TE Part #11030811-00
BL CLS 1, 12'SENSOR/200' CABLE



TE Part #6-1005438-9
BL CLS 1, 12'SENSOR/500' CABLE

Documents

Product Drawings

[TERMINAL,PIDG R 16-14HD 3/8](#)

English

CAD Files

[3D PDF](#)

3D

Customer View Model

[ENG_CVM_CVM_330896_L.2d_dxf.zip](#)

English

Customer View Model

[ENG_CVM_CVM_330896_L.3d_igs.zip](#)

English

Customer View Model

[ENG_CVM_CVM_330896_L.3d_stp.zip](#)

English

By downloading the CAD file I accept and agree to the [Terms and Conditions](#) of use.

Product Specifications

[Application Specification](#)

English

Product Environmental Compliance

[TE Material Declaration](#)

English

Agency Approvals

[UL Report](#)

330896

PIDG, Ring Terminals & Spade Terminals, Ring Tongue, 16 – 14 AWG Wire Size, 1.3 – 2 mm² Wire Size, 2050 – 5180 CMA Wire Size, Stud Size 3/8



English