

3-1904022-2 ✓ ACTIVE



## Power Relay B

TE Internal #: 3-1904022-2

Mini Relays, 12 VDC Coil Voltage, 30 – 50 A, 1 Form C (CO), Plug-In, 85  $\Omega$  Coil Resistance, Mounting Brackets, Power Relay B

[View on TE.com >](#)

Relays, Contactors & Switches > Relays > Automotive Relays > Automotive Plug-In Relays > Mini Relays



Rated Coil Voltage: **12 VDC**

Mini Relay Contact Current Class: **30 – 50 A**

Mini Relay Contact Arrangement: **1 Form C (CO)**

Mini Relay Mounting Type: **Plug-In**

Mini Relay Coil Resistance: **85  $\Omega$**

## Features

### Product Type Features

Relay Type	Power Relay B
------------	---------------

### Electrical Characteristics

Current Rating (85°C)	30 A
Coil Power Rating Class	>1.5W W
Contact Limiting Short-Time Current	210 A
Insulation Initial Dielectric Between Contacts and Coil	500 Vrms
Insulation Initial Dielectric Between Coil/Contact Class	0 – 500 V
Insulation Initial Dielectric Between Open Contacts	500 Vrms
Coil Magnetic System	Monostable, DC
Contact Limiting Making Current	120 A
Coil Power Rating (DC)	1700 mW
Contact Limiting Continuous Current	50 A
Rated Voltage	12 VDC
Contact Limiting Breaking Current	30 A
Contact Switching Load (Min)	1000mA @ 5VDC
Rated Coil Voltage	12 VDC
Mini Relay Coil Resistance	85 $\Omega$

### Body Features

Weight	35 g[1.2 oz]
--------	--------------



### Contact Features

Terminal Type	Plug-In, Quick Connect
Contact Base Material	Silver Alloy
Mini Relay Contact Current Class	30 – 50 A
Mini Relay Contact Arrangement	1 Form C (CO)

### Mechanical Attachment

Mini Relay Mounting Type	Plug-In
--------------------------	---------

### Dimensions

Width Class (Mechanical)	25 – 30 mm
Height	26 mm[1.024 in]
Length	28.5 mm[1.122 in]
Length Class (Mechanical)	25 – 30 mm
Width	28.5 mm[1.122 in]
Height Class (Mechanical)	25 – 30 mm

### Usage Conditions

Environmental Ambient Temperature Class	105 – 125°C
Environmental Ambient Temperature (Max)	125 °C[257 °F]

### Other

Mounting Brackets	With
-------------------	------

### Product Compliance

[For compliance documentation, visit the product page on TE.com>](#)

EU RoHS Directive 2011/65/EU	Compliant with Exemptions
EU ELV Directive 2000/53/EC	Not Compliant
China RoHS 2 Directive MIIT Order No 32, 2016	Restricted Materials Above Threshold
EU REACH Regulation (EC) No. 1907/2006	Current ECHA Candidate List: JAN 2022 (223) Candidate List Declared Against: JAN 2022 (223) SVHC > Threshold: Pb (92% in Component Part) <b>Article Safe Usage Statements:</b> Do not eat, drink or smoke when using this product. Wash thoroughly after handling. Recycle if possible and dispose of the article by following all applicable governmental regulations relevant to your geographic location.
Halogen Content	Low Halogen - Br, Cl, F, I < 900 ppm per homogenous material. Also BFR/CFR/PVC

Free

Solder Process Capability

Not applicable for solder process capability

Product Compliance Disclaimer

This information is provided based on reasonable inquiry of our suppliers and represents our current actual knowledge based on the information they provided. This information is subject to change. The part numbers that TE has identified as EU RoHS compliant have a maximum concentration of 0.1% by weight in homogenous materials for lead, hexavalent chromium, mercury, PBB, PBDE, DBP, BBP, DEHP, DIBP, and 0.01% for cadmium, or qualify for an exemption to these limits as defined in the Annexes of Directive 2011/65/EU (RoHS2). Finished electrical and electronic equipment products will be CE marked as required by Directive 2011/65/EU. Components may not be CE marked. Additionally, the part numbers that TE has identified as EU ELV compliant have a maximum concentration of 0.1% by weight in homogenous materials for lead, hexavalent chromium, and mercury, and 0.01% for cadmium, or qualify for an exemption to these limits as defined in the Annexes of Directive 2000/53/EC (ELV). Regarding the REACH Regulation, the information TE provides on SVHC in articles for this part number is based on the latest European Chemicals Agency (ECHA) 'Guidance on requirements for substances in articles' posted at this URL: <https://echa.europa.eu/guidance-documents/guidance-on-reach>

### Compatible Parts



TE Part # 1-1904045-1  
V23333Z0001A007-EV-100

### Also in the Series | Power Relay B



Mini Relays(20)

### Customers Also Bought



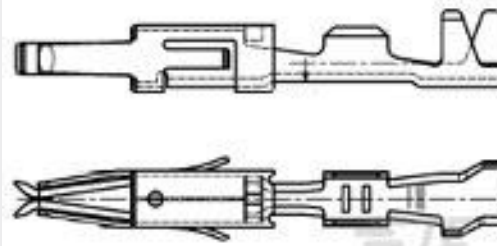
TE Part #1-480284-0  
08P CMNL CAP HSG M/M NATL



TE Part #1-480439-0  
16P CMNL CAP HSG M/M NATL



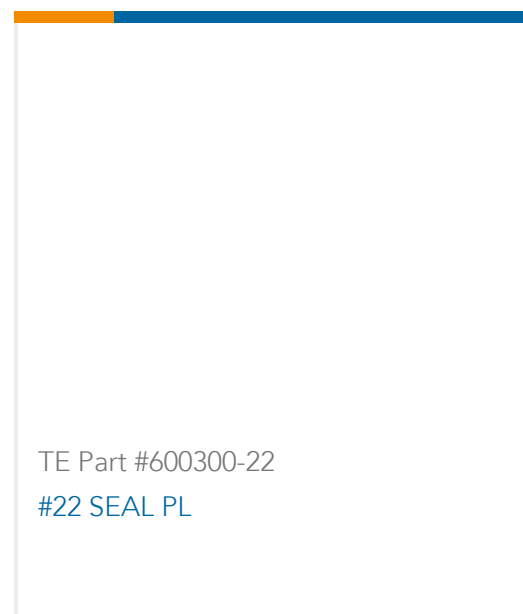
TE Part #1241634-1  
4POS MQS REC COD Z



TE Part #962942-1  
MT2 REC 1.6 Contact SRC Sn



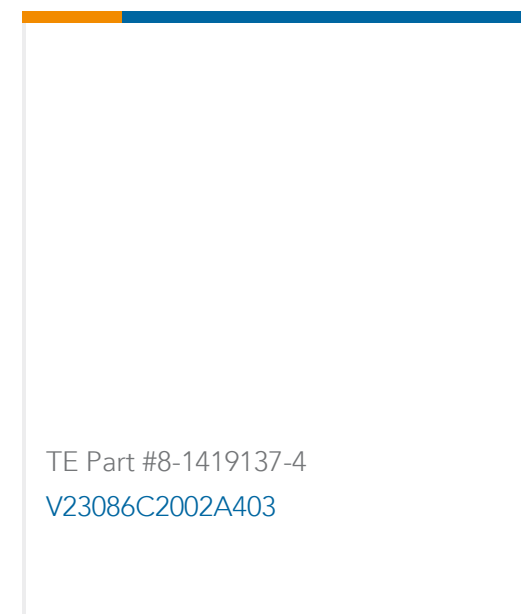
TE Part #1-480288-0  
12P CMNL CAP HSG M/M NATL



TE Part #600300-22  
#22 SEAL PL



TE Part #1-1904005-4  
V23374A1601X008-EV-144



TE Part #8-1419137-4  
V23086C2002A403



TE Part #9-1904064-4  
V23086-R1851-A502



TE Part #2-1904020-4  
V23234A0001X037-EV-100

## Documents

### Product Drawings

[V23234A1001X036-EV-100](#)

English

### CAD Files

[3D PDF](#)

3D

Customer View Model

[ENG\\_CVM\\_CVM\\_3-1904022-2\\_A.2d\\_dxf.zip](#)

English

Customer View Model

[ENG\\_CVM\\_CVM\\_3-1904022-2\\_A.3d\\_igs.zip](#)

English

Customer View Model

[ENG\\_CVM\\_CVM\\_3-1904022-2\\_A.3d\\_stp.zip](#)

English

By downloading the CAD file I accept and agree to the [Terms and Conditions](#) of use.

### Datasheets & Catalog Pages

[Automotive Relay Application Notes](#)

English

[Power Relay B, Mini ISO, Plug-In](#)

English

### Product Specifications

[Definitions, Handling, Processing, Testing and Use of Relays](#)

English



**Product Environmental Compliance**

**Product Compliance**

English