



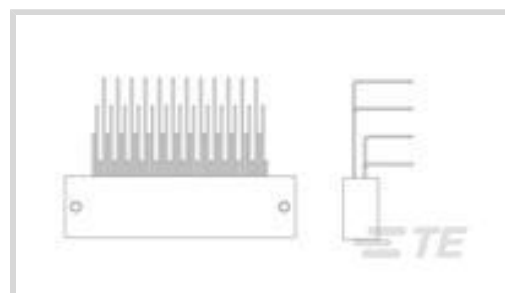
## Nanonics

TE Internal #: 3-1589680-4

Microminiature & Nanominiature D Connectors, Receptacle, 51  
Position, Mounting Hardware, Printed Circuit Board, -85 – 257 °F  
[-65 – 125 °C]

[View on TE.com >](#)

Connectors > D-Shaped Connectors > Microminiature & Nanominiature D Connectors

Connector & Housing Type: **Receptacle**Number of Positions: **51**Mounting Hardware: **With**Connector & Contact Terminates To: **Printed Circuit Board**Contact Current Rating (Max): **1 A**

## Features

### Product Type Features

Product Type	Connector
Connector & Housing Type	Receptacle
Connector & Contact Terminates To	Printed Circuit Board

### Configuration Features

Preloaded	Yes
PCB Mount Orientation	Horizontal
Number of Positions	51

### Contact Features

Contact Current Rating (Max)	1 A
------------------------------	-----

### Mechanical Attachment

Mounting Hardware	With
-------------------	------

### Housing Features

Housing Material	Aluminum
------------------	----------

### Usage Conditions

Operating Temperature Range	-65 – 125 °C[-85 – 257 °F]
-----------------------------	----------------------------

## Product Compliance

For compliance documentation, visit the product page on [TE.com](#)>



EU RoHS Directive 2011/65/EU	Not Compliant
EU ELV Directive 2000/53/EC	Not Compliant
China RoHS 2 Directive MIIT Order No 32, 2016	Restricted Materials Above Threshold
EU REACH Regulation (EC) No. 1907/2006	Current ECHA Candidate List: JUNE 2022 (224) Candidate List Declared Against: JUL 2019 (201) SVHC > Threshold: Not Yet Reviewed
Halogen Content	Not Yet Reviewed for halogen content
Solder Process Capability	Not lead free process capable

Product Compliance Disclaimer

This information is provided based on reasonable inquiry of our suppliers and represents our current actual knowledge based on the information they provided. This information is subject to change. The part numbers that TE has identified as EU RoHS compliant have a maximum concentration of 0.1% by weight in homogenous materials for lead, hexavalent chromium, mercury, PBB, PBDE, DBP, BBP, DEHP, DIBP, and 0.01% for cadmium, or qualify for an exemption to these limits as defined in the Annexes of Directive 2011/65/EU (RoHS2). Finished electrical and electronic equipment products will be CE marked as required by Directive 2011/65/EU. Components may not be CE marked. Additionally, the part numbers that TE has identified as EU ELV compliant have a maximum concentration of 0.1% by weight in homogenous materials for lead, hexavalent chromium, and mercury, and 0.01% for cadmium, or qualify for an exemption to these limits as defined in the Annexes of Directive 2000/53/EC (ELV). Regarding the REACH Regulation, the information TE provides on SVHC in articles for this part number is based on the latest European Chemicals Agency (ECHA) 'Guidance on requirements for substances in articles' posted at this URL: <https://echa.europa.eu/guidance-documents/guidance-on-reach>

### Customers Also Bought



TE Part #DT04-2P  
DEUTSCH DT HOUSINGS



TE Part #W2S  
DEUTSCH DT WEDGELOCKS



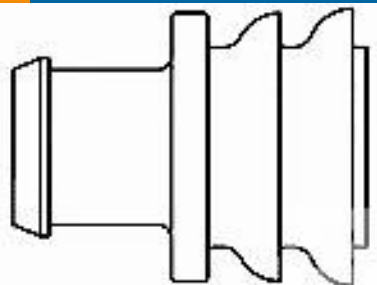
TE Part #282104-1  
AMP SUPERSEAL 1.5MM,  
CONNECTOR HOUSING



TE Part #206070-8  
CABLE CLAMP KIT #17



TE Part #0460-202-16141  
DEUTSCH SOLID CONTACTS



TE Part #281934-2  
SINGLE WIRE SEAL

### Documents

3-1589680-4

Microminiature & Nanominiature D Connectors, Receptacle, 51 Position, Mounting Hardware, Printed Circuit Board, -85 – 257 °F [-65 – 125 °C]



[Datasheets & Catalog Pages](#)

[Nanonics Connectors for MIL-DTL-32139](#)

English