



Alcoswitch

TE Internal #: 3-1437624-1

Switch Knobs, Knob, Molded Phenolic Resin, Straight Knurl Knob Design, .25 in [6.35 mm] Shaft Size, 25.9 mm [1.02 in] Diameter, Black, Arrowhead

[View on TE.com >](#)

Relays, Contactors & Switches > Switches > Switch Knobs



Switch Knob Product Type: **Knob**

Switch Knob Material: **Molded Phenolic Resin**

Knob Design: **Straight Knurl**

Shaft Size: **6.35 mm [ .25 in ]**

Switch Knob Diameter: **25.9 mm [ 1.02 in ]**

**Features**

**Product Type Features**

Switch Knob Product Type	Knob
--------------------------	------

**Configuration Features**

Skirt	With
Spinner	Without
Spin Plate	Without
Knob Design	Straight Knurl

**Body Features**

Switch Knob Material	Molded Phenolic Resin
Switch Knob Color	Black

**Dimensions**

Shaft Size	6.35 mm[.25 in]
Switch Knob Diameter	25.9 mm[1.02 in]

**Identification Marking**

Indicator Style	Arrowhead
Indicator Location	On Skirt

**Other**

Comment	Top spun aluminum inlay
---------	-------------------------



## Product Compliance

[For compliance documentation, visit the product page on TE.com>](#)

EU RoHS Directive 2011/65/EU	Compliant
EU ELV Directive 2000/53/EC	Compliant
China RoHS 2 Directive MIIT Order No 32, 2016	No Restricted Materials Above Threshold
EU REACH Regulation (EC) No. 1907/2006	Current ECHA Candidate List: JAN 2022 (223) Candidate List Declared Against: JAN 2021 (211) SVHC > Threshold: Not Yet Reviewed
Halogen Content	Not Yet Reviewed for halogen content
Solder Process Capability	Not applicable for solder process capability

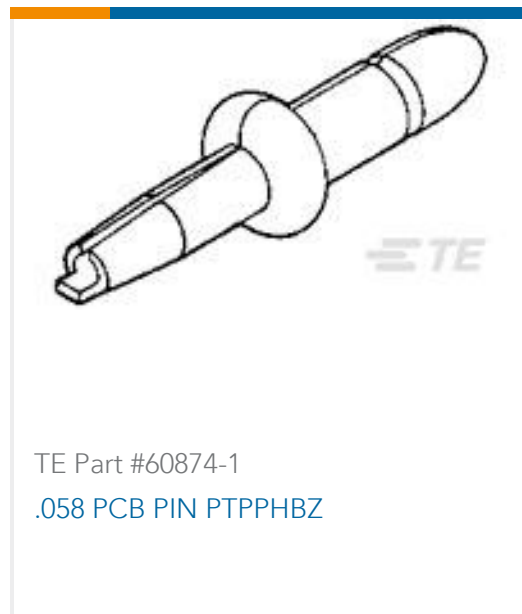
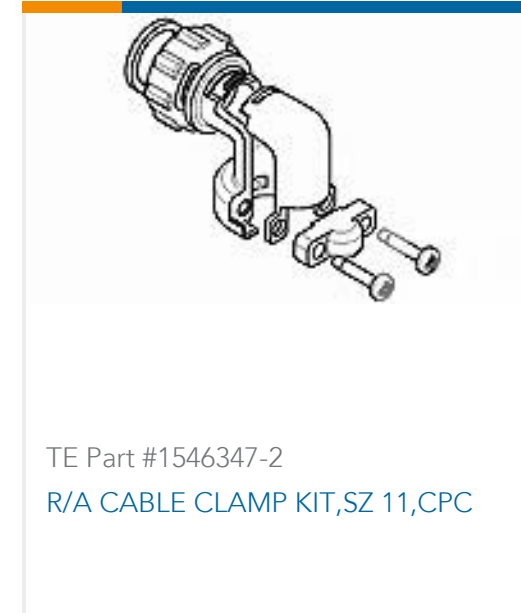
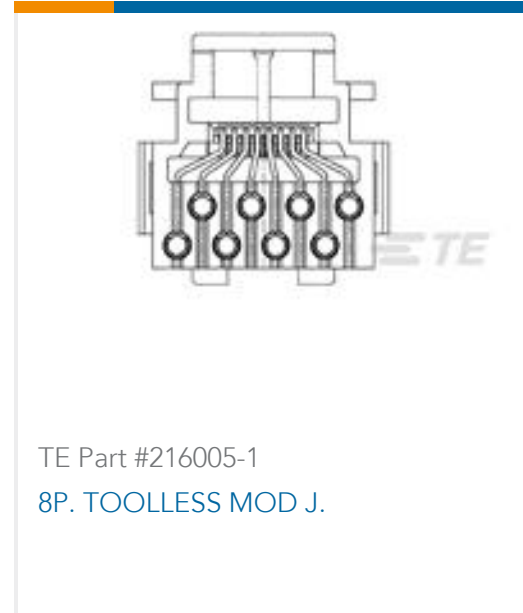
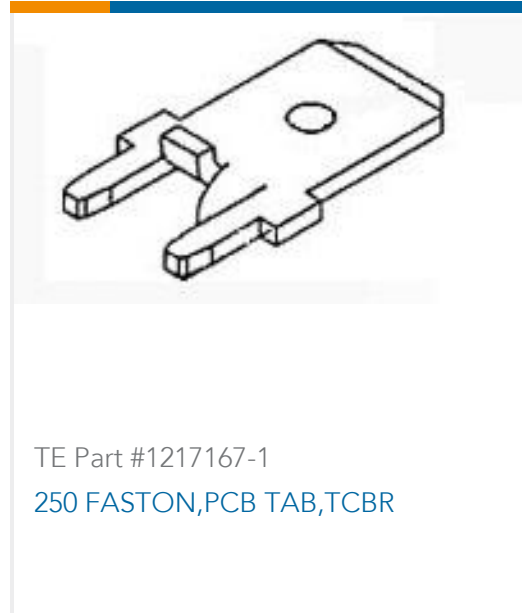
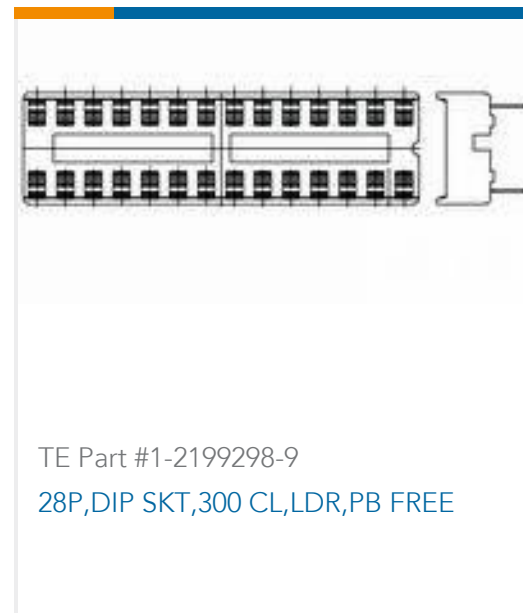
### Product Compliance Disclaimer

This information is provided based on reasonable inquiry of our suppliers and represents our current actual knowledge based on the information they provided. This information is subject to change. The part numbers that TE has identified as EU RoHS compliant have a maximum concentration of 0.1% by weight in homogenous materials for lead, hexavalent chromium, mercury, PBB, PBDE, DBP, BBP, DEHP, DIBP, and 0.01% for cadmium, or qualify for an exemption to these limits as defined in the Annexes of Directive 2011/65/EU (RoHS2). Finished electrical and electronic equipment products will be CE marked as required by Directive 2011/65/EU. Components may not be CE marked. Additionally, the part numbers that TE has identified as EU ELV compliant have a maximum concentration of 0.1% by weight in homogenous materials for lead, hexavalent chromium, and mercury, and 0.01% for cadmium, or qualify for an exemption to these limits as defined in the Annexes of Directive 2000/53/EC (ELV). Regarding the REACH Regulation, the information TE provides on SVHC in articles for this part number is based on the latest European Chemicals Agency (ECHA) 'Guidance on requirements for substances in articles' posted at this URL: <https://echa.europa.eu/guidance-documents/guidance-on-reach>

## Compatible Parts



## Customers Also Bought



## Documents

### Product Drawings

PKD70B1/4=KNOB PLASTIC W/SKIRT

English

### CAD Files

Customer View Model

[ENG\\_CVM\\_CVM\\_3-1437624-1\\_C.2d\\_dxf.zip](#)

English

### 3D PDF

3D

Customer View Model

[ENG\\_CVM\\_CVM\\_3-1437624-1\\_C.3d\\_igs.zip](#)

English

Customer View Model

[ENG\\_CVM\\_CVM\\_3-1437624-1\\_C.3d\\_stp.zip](#)

English

By downloading the CAD file I accept and agree to the [Terms and Conditions](#) of use.

## Datasheets & Catalog Pages

PKD70B1/4

Switch Knobs, Knob, Molded Phenolic Resin, Straight Knurl Knob Design, .25 in [6.35 mm] Shaft Size, 25.9 mm [1.02 in] Diameter, Black, Arrowhead



## SWITCHES\_CORE\_PROGRAM\_CATALOG

English