

KN1251B1/4 ✓ ACTIVE

Alcoswitch

TE Internal #: 3-1437622-0

Switch Knobs, Knob, Aluminum 5056-H18, Straight Knurl Knob Design, .25 in [6.35 mm] Shaft Size, 31.75 mm [1.25 in] Diameter, Black, Line

[View on TE.com >](#)



Relays, Contactors & Switches > Switches > Switch Knobs



Switch Knob Product Type: **Knob**

Switch Knob Material: **Aluminum 5056-H18**

Knob Design: **Straight Knurl**

Shaft Size: **6.35 mm [.25 in]**

Switch Knob Diameter: **31.75 mm [1.25 in]**

Features

Product Type Features

Switch Knob Product Type	Knob
--------------------------	------

Configuration Features

Skirt	Without
Spinner	Without
Spin Plate	Without
Knob Design	Straight Knurl

Body Features

Switch Knob Material	Aluminum 5056-H18
Switch Knob Color	Black

Dimensions

Shaft Size	6.35 mm[.25 in]
Switch Knob Diameter	31.75 mm[1.25 in]

Identification Marking

Indicator Style	Line
Indicator Location	Side

Product Compliance

[For compliance documentation, visit the product page on TE.com>](#)



EU RoHS Directive 2011/65/EU	Compliant
EU ELV Directive 2000/53/EC	Compliant
China RoHS 2 Directive MIIT Order No 32, 2016	No Restricted Materials Above Threshold
EU REACH Regulation (EC) No. 1907/2006	Current ECHA Candidate List: JAN 2022 (223) Candidate List Declared Against: JAN 2022 (223) Does not contain REACH SVHC
Halogen Content	Low Halogen - Br, Cl, F, I < 900 ppm per homogenous material. Also BFR/CFR/PVC Free
Solder Process Capability	Not applicable for solder process capability

Product Compliance Disclaimer

This information is provided based on reasonable inquiry of our suppliers and represents our current actual knowledge based on the information they provided. This information is subject to change. The part numbers that TE has identified as EU RoHS compliant have a maximum concentration of 0.1% by weight in homogenous materials for lead, hexavalent chromium, mercury, PBB, PBDE, DBP, BBP, DEHP, DIBP, and 0.01% for cadmium, or qualify for an exemption to these limits as defined in the Annexes of Directive 2011/65/EU (RoHS2). Finished electrical and electronic equipment products will be CE marked as required by Directive 2011/65/EU. Components may not be CE marked. Additionally, the part numbers that TE has identified as EU ELV compliant have a maximum concentration of 0.1% by weight in homogenous materials for lead, hexavalent chromium, and mercury, and 0.01% for cadmium, or qualify for an exemption to these limits as defined in the Annexes of Directive 2000/53/EC (ELV). Regarding the REACH Regulation, the information TE provides on SVHC in articles for this part number is based on the latest European Chemicals Agency (ECHA) 'Guidance on requirements for substances in articles' posted at this URL: <https://echa.europa.eu/guidance-documents/guidance-on-reach>

Compatible Parts



TE Part # 3-1437622-8
KN1751BS1/4=KNOB SPINNER L/HAI



TE Part # 5-1437562-8
TT23P3T=SW TOGGLE WIRED TERM

Customers Also Bought



TE Part #5747299-2
15 RCPT SP/FMS STD



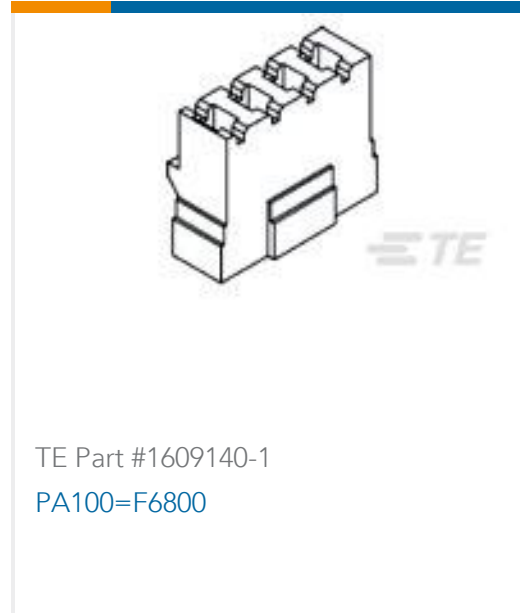
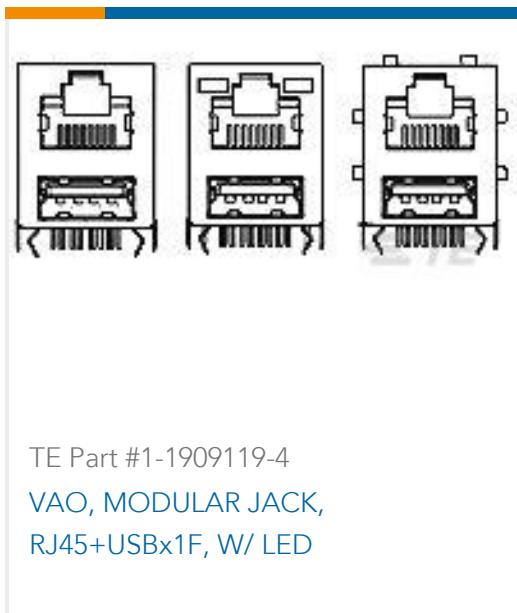
TE Part #2834006-2
RELEASE POKE-IN CONNECTOR_2POLES



TE Part #3-641208-8
08P MTA156 HDR ASSY FL ST LF



TE Part #2834167-3
RELEASABLE SLIM CONTACT



Documents

CAD Files

3D PDF

3D

Customer View Model

[ENG_CVM_CVM_3-1437622-0_99_c-3-1437622-0-99.2d_dxf.zip](#)

English

Customer View Model

[ENG_CVM_CVM_3-1437622-0_99_c-3-1437622-0-99.3d_igs.zip](#)

English

Customer View Model

[ENG_CVM_CVM_3-1437622-0_99_c-3-1437622-0-99.3d_stp.zip](#)

English

By downloading the CAD file I accept and agree to the [Terms and Conditions](#) of use.

Datasheets & Catalog Pages

[Alcoswitch Products](#)

English