

4

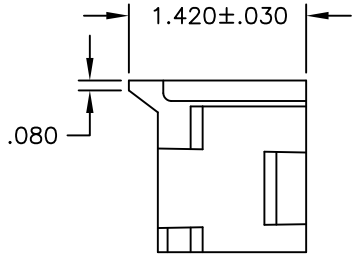
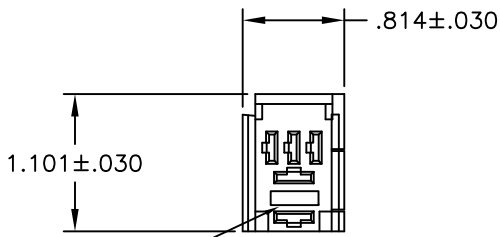
3

2

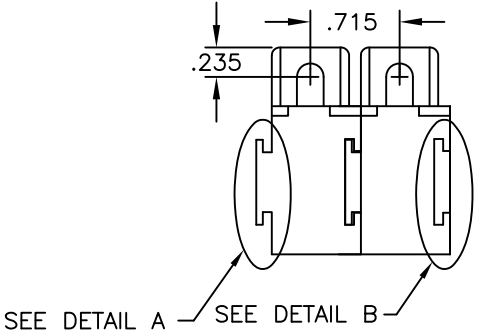
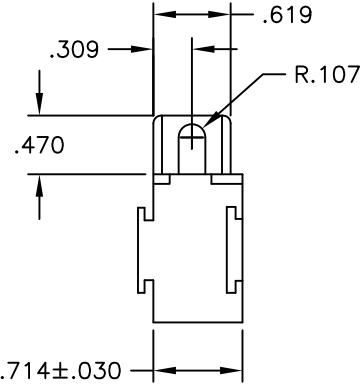
1

THIS DRAWING IS UNPUBLISHED. RELEASED FOR PUBLICATION  
 © COPYRIGHT - BY TYCO ELECTRONICS CORPORATION. ALL INTERNATIONAL RIGHTS RESERVED.

LOC		DIST		REVISIONS			
P	LTR	DESCRIPTION		DATE	DWN	APVD	
	C	ECR-10-014948		22JUL2010	SPN	BT	



TYCO ELECTRONICS LOGO  
AND "VCFM-1002"



THIS DRAWING IS A CONTROLLED DOCUMENT.

DIMENSIONS:  
INCHES



TOLERANCES UNLESS OTHERWISE SPECIFIED:

- 0 PLC ± -
- 1 PLC ± .1
- 2 PLC ± .01
- 3 PLC ± .005
- 4 PLC ± -
- ANGLES ± 1

MATERIAL

FINISH

DWN S. NEPHEW 22JUL2010

CHK B. TOEPFER 22JUL2010

APVD B. TOEPFER

PRODUCT SPEC

APPLICATION SPEC

WEIGHT

CUSTOMER DRAWING

TYCO ELECTRONICS PART NUMBER: 3-1393310-8

**Tyco Electronics** Tyco Electronics Corporation  
Harrisburg, PA 17105-3608

NAME CUSTOMER DATA  
-  
-

SIZE	CAGE CODE	DRAWING NO	RESTRICTED TO
A3	00779	C=VCFM-1002	-

SCALE NTS SHEET 1 OF 2 REV C

4

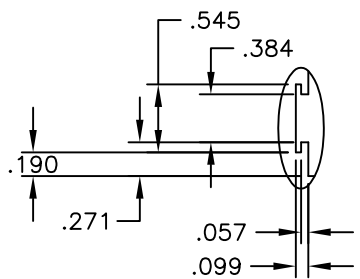
3

2

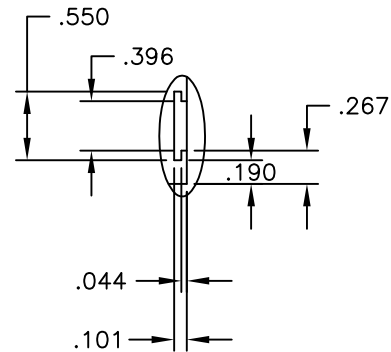
1

THIS DRAWING IS UNPUBLISHED. RELEASED FOR PUBLICATION  
 © COPYRIGHT BY TYCO ELECTRONICS CORPORATION. ALL INTERNATIONAL RIGHTS RESERVED.

LOC		DIST		REVISIONS			
P	LTR	DESCRIPTION		DATE	DWN	APVD	
	C	ECR-10-014948		26JUL2010	SPN	BT	



DETAIL A



DETAIL B

THIS DRAWING IS A CONTROLLED DOCUMENT.		DWN S. NEPHEW 26JUL2010	Tyco Electronics Corporation Harrisburg, PA 17105-3608	
DIMENSIONS: INCHES		CHK B. TOEPFER 26JUL2010	NAME CUSTOMER DATA	
		APVD B. TOEPFER	PRODUCT SPEC	
0 PLC ± - 1 PLC ± .1 2 PLC ± .01 3 PLC ± .005 4 PLC ± - ANGLES ± 1		APPLICATION SPEC	RESTRICTED TO	
MATERIAL	FINISH	WEIGHT	SIZE A3	CAGE CODE 00779
-	-	-	DRAWING NO C=VCFM-1002	RESTRICTED TO -
CUSTOMER DRAWING			SCALE NTS	SHEET 2 OF 2
			REV C	