

# W28-XQ1A-5 ✓ ACTIVE

Potter & Brumfield | Potter & Brumfield W28

TE Internal #: 3-1393250-8

Circuit Breakers, Thermal, Series Trip, Black Button Color, 250 VAC Voltage Rating AC, 32 VDC Voltage Rating DC, 5 A, 1, Potter & Brumfield W28

[View on TE.com >](#)



Relays, Contactors & Switches > Circuit Breakers



Circuit Breaker Type: **Thermal**

Circuit Function: **Series Trip**

Illuminated: **No**

Button Color: **Black**

Voltage Rating AC: **250 VAC**

## Features

### Product Type Features

|                       |                  |
|-----------------------|------------------|
| Circuit Breaker Style | Fuse Holder Type |
| Illumination Type     | No Light         |
| Product Type          | Circuit Breaker  |
| Actuator Type         | Push to Reset    |
| Circuit Breaker Type  | Thermal          |
| Illuminated           | No               |

### Configuration Features

|                  |             |
|------------------|-------------|
| Earthing Switch  | Without     |
| Circuit Function | Series Trip |

### Electrical Characteristics

|                                |                      |
|--------------------------------|----------------------|
| Voltage Rating AC              | 250 VAC              |
| Voltage Rating DC              | 32 VDC               |
| Circuit Breaker Current Rating | 5 A                  |
| Interrupt Capacity             | 1000A @ 250VAC/32VDC |

### Body Features

|              |                               |
|--------------|-------------------------------|
| Bezel Color  | Black with White Rate Marking |
| Button Color | Black                         |

### Contact Features



|                    |                  |
|--------------------|------------------|
| Pole Configuration | 1                |
| Trip Time at 200%  | 2.2 – 15 seconds |

### Termination Features

|                                  |                                       |
|----------------------------------|---------------------------------------|
| Circuit Breaker Termination Type | 6.35 [.25] Straight Quick Connect Tab |
|----------------------------------|---------------------------------------|

### Mechanical Attachment

|                               |                     |
|-------------------------------|---------------------|
| Mounting Options              | Snap-In Panel Mount |
| Mounting Bushing              | None                |
| Circuit Breaker Mounting Type | Panel Mount         |

### Dimensions

|                 |                                |
|-----------------|--------------------------------|
| Panel Thickness | .81 – 1.57 mm [.032 – .062 in] |
|-----------------|--------------------------------|

## Product Compliance

For compliance documentation, visit the product page on [TE.com](#)>

|   |  |
|---|--|
| EU RoHS Directive 2011/65/EU                  | Compliant with Exemptions  |
| EU ELV Directive 2000/53/EC                   | Not Compliant  |
| China RoHS 2 Directive MIIT Order No 32, 2016 | Restricted Materials Above Threshold   |
| EU REACH Regulation (EC) No. 1907/2006        | Current ECHA Candidate List: JAN 2022 (223)<br>Candidate List Declared Against: JUL 2021 (219)<br>SVHC > Threshold:<br>Cadmium oxide (1.55% in Component)<br><b>Article Safe Usage Statements:</b><br>Use personal protective equipment as required. Do not eat, drink or smoke when using this product. Recycle if possible and dispose of the article by following all applicable governmental regulations relevant to your geographic location. |
| Halogen Content                               | Not Low Halogen - contains Br or Cl > 900 ppm.   |
| Solder Process Capability                     | Not applicable for solder process capability   |

#### Product Compliance Disclaimer

This information is provided based on reasonable inquiry of our suppliers and represents our current actual knowledge based on the information they provided. This information is subject to change. The part numbers that TE has identified as EU RoHS compliant have a maximum concentration of 0.1% by weight in homogenous materials for lead, hexavalent chromium, mercury, PBB, PBDE, DBP, BBP, DEHP, DIBP, and 0.01% for cadmium, or qualify for an exemption to these limits as defined in the Annexes of Directive 2011/65/EU (RoHS2). Finished electrical and electronic equipment products will be CE marked as required by Directive 2011/65/EU. Components may not be CE marked. Additionally, the part numbers that TE has identified as EU ELV compliant have a maximum concentration of 0.1% by weight in homogenous materials for lead, hexavalent chromium, and mercury, and 0.01% for cadmium, or qualify for an exemption to these limits as defined in the Annexes of Directive 2000/53/EC (ELV). Regarding the REACH Regulation, the information TE provides on SVHC in articles for this part number is based on the latest European Chemicals Agency (ECHA) 'Guidance on requirements for substances in articles' posted at this URL: <https://echa.europa.eu/guidance-documents/guidance-on-reach>



## Compatible Parts

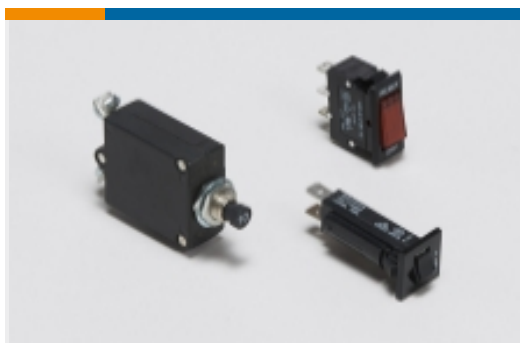


TE Part # 175022-1  
250 PL EX REC. 18-14AWG PTBR



TE Part # 3-1423712-5  
W28-X1095-5=CKTBKR,THERM,ROCK, QC.250,FUS

## Also in the Series | Potter & Brumfield W28



Circuit Breakers(45)

## Customers Also Bought



TE Part #3-1393250-9  
W28-XQ1A-6=W28-



TE Part #3-1393250-7  
W28-XQ1A-4=W28-



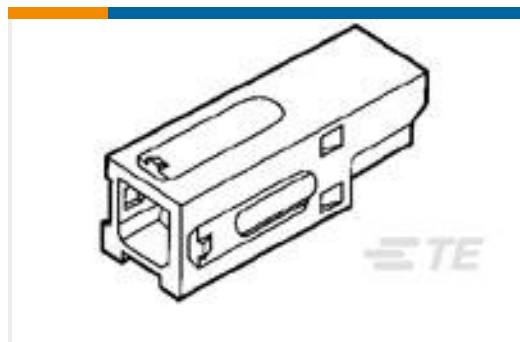
TE Part #3-1393250-2  
W28-XQ1A-2=W28-



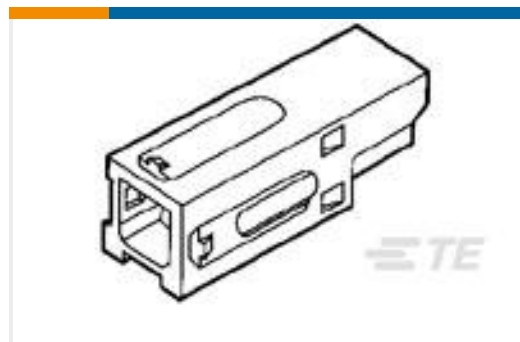
TE Part #4-2176328-2  
CRGP 1206 27K 1%



TE Part #5748826-2  
AMP III PLUG 25P RA 590



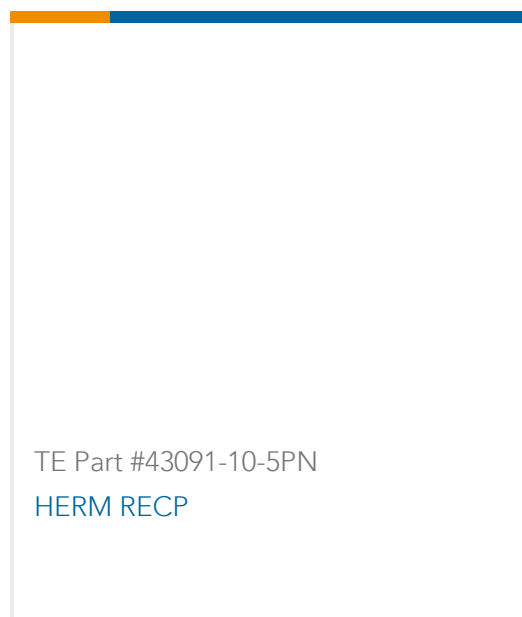
TE Part #53894-1  
HSG ASSY,PWR LK,SRS1,1 POS,WHT



TE Part #53894-3  
HSG ASSY,PWR LK,SRS1,1 POS,GRN



TE Part #826654-3  
3P AMPMODU II STIFT LEI



## Documents

### CAD Files

#### 3D PDF

English

#### Customer View Model

[ENG\\_CVM\\_3-1393250-8\\_0706.3d\\_igs.zip](#)

English

#### Customer View Model

[ENG\\_CVM\\_3-1393250-8\\_0706.3d\\_stp.zip](#)

English

#### Customer View Model

[ENG\\_CVM\\_3-1393250-8\\_0706.2d\\_dxf.zip](#)

English

By downloading the CAD file I accept and agree to the [Terms and Conditions](#) of use.

### Datasheets & Catalog Pages

#### W28 Push to Reset Fuseholder-Type Thermal Circuit Breaker

English

#### Industrial Relays Quick Reference Guide

English

#### Industrial Relays Quick Reference Guide

Japanese

#### Industrial Relays Quick Reference Guide

### Product Environmental Compliance

#### Product Compliance

English

#### Product Compliance

English

### Agency Approvals

#### UL

English