



AMP CT

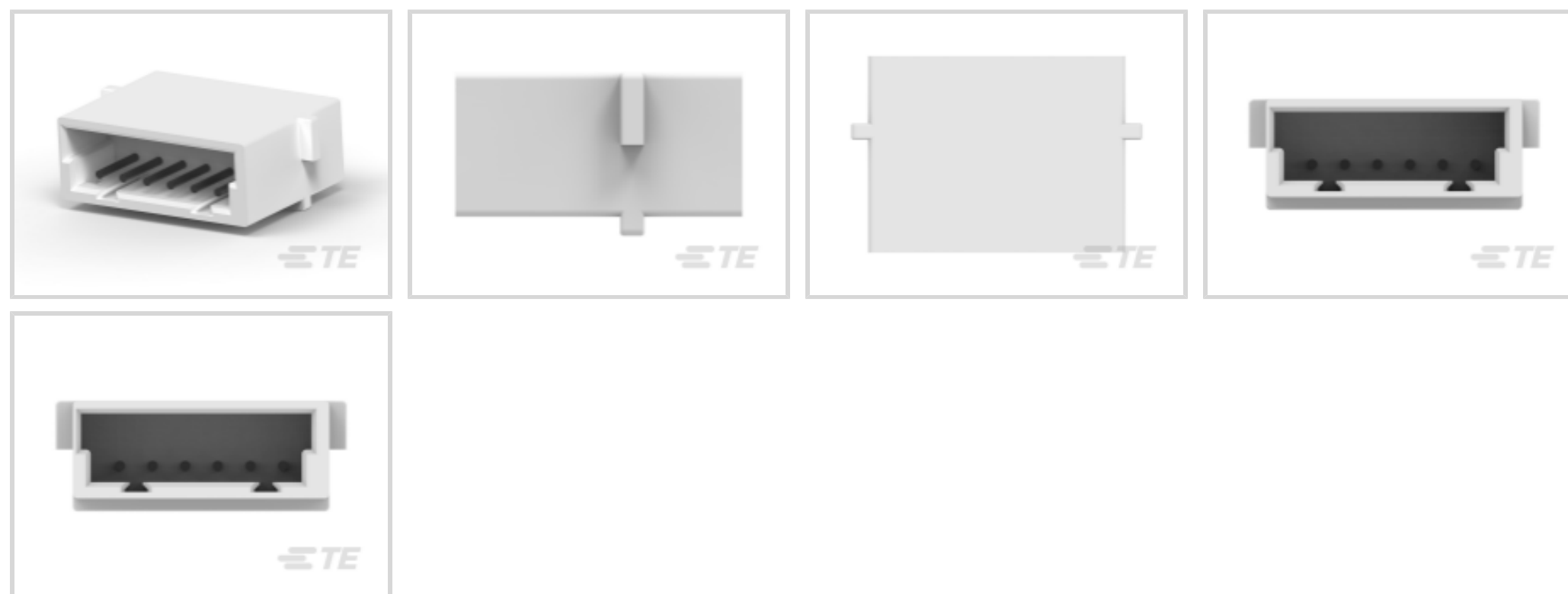
TE Internal #: 292156-6

AMP CT, Connector Assembly, Plug to Plug Relay Header, Wire-to-Board / Wire-to-Wire, 5 Position, 2 mm [.078 in] Centerline, 1 Row, White, Signal

[View on TE.com >](#)

Connectors > PCB Connectors > Wire-to-Board Connectors > Wire-to-Board Connector Assemblies & Housings >

CT Relay Header Assembly: Free Hanging



Connector Product Type: **Connector Assembly**

Connector & Housing Type: **Plug to Plug Relay Header**

Connector System: **Wire-to-Board, Wire-to-Wire**

Number of Positions: **5**

Centerline (Pitch): **2 mm [.078 in]**

[All CT Relay Header Assembly: Free Hanging \(18\)](#)

Features

Product Type Features

Connector Product Type	Connector Assembly
Connector & Housing Type	Plug to Plug Relay Header
Connector System	Wire-to-Board, Wire-to-Wire
Sealable	No

Configuration Features

Number of Positions	5
Number of Rows	1

Electrical Characteristics

Operating Voltage	125 V
-------------------	-------

Contact Features

Contact Layout	In-line
----------------	---------



Contact Retention Within Housing	Without
----------------------------------	---------

Contact Type	Pin
--------------	-----

Contact Base Material	Brass
-----------------------	-------

Contact Current Rating (Max)	2 A
------------------------------	-----

Mechanical Attachment

Strain Relief	Without
---------------	---------

Panel Mount Feature	Without
---------------------	---------

Mating Retention	Without
------------------	---------

Connector Mounting Type	Cable Mount (Free-Hanging)
-------------------------	----------------------------

Housing Features

Housing Material	Nylon 66
------------------	----------

Centerline (Pitch)	2 mm [.078 in]
--------------------	----------------

Housing Color	White
---------------	-------

Dimensions

Connector Length	15.8 mm [.622 in]
------------------	-------------------

Panel Thickness (Recommended)	.81 – 1.6 mm [.032 – .063 in]
-------------------------------	-------------------------------

Connector Height	12 mm [.472 in]
------------------	-----------------

Usage Conditions

Operating Temperature Range	-40 – 105 °C [-40 – 221 °F]
-----------------------------	-----------------------------

Operation/Application

Circuit Application	Signal
---------------------	--------

Industry Standards

CSA Rating	Certified
------------	-----------

Approved Standards	UL Recognized
--------------------	---------------

UL Flammability Rating	UL 94V-0
------------------------	----------

UL File Number	E28476
----------------	--------

UL Rating	Recognized
-----------	------------

Agency/Standard	CSA, UL
-----------------	---------

CSA Certified	Yes
---------------	-----

CSA File Number	LR 7189
-----------------	---------

Packaging Features

Packaging Quantity	400
--------------------	-----



Packaging Method

Bag & Box

Product Compliance

[For compliance documentation, visit the product page on TE.com>](#)

EU RoHS Directive 2011/65/EU	Compliant
EU ELV Directive 2000/53/EC	Compliant
China RoHS 2 Directive MIIT Order No 32, 2016	No Restricted Materials Above Threshold
EU REACH Regulation (EC) No. 1907/2006	Current ECHA Candidate List: JAN 2022 (223) Candidate List Declared Against: JAN 2022 (223) Does not contain REACH SVHC
Halogen Content	Low Halogen - Br, Cl, F, I < 900 ppm per homogenous material. Also BFR/CFR/PVC Free
Solder Process Capability	Not applicable for solder process capability

Product Compliance Disclaimer

This information is provided based on reasonable inquiry of our suppliers and represents our current actual knowledge based on the information they provided. This information is subject to change. The part numbers that TE has identified as EU RoHS compliant have a maximum concentration of 0.1% by weight in homogenous materials for lead, hexavalent chromium, mercury, PBB, PBDE, DBP, BBP, DEHP, DIBP, and 0.01% for cadmium, or qualify for an exemption to these limits as defined in the Annexes of Directive 2011/65/EU (RoHS2). Finished electrical and electronic equipment products will be CE marked as required by Directive 2011/65/EU. Components may not be CE marked. Additionally, the part numbers that TE has identified as EU ELV compliant have a maximum concentration of 0.1% by weight in homogenous materials for lead, hexavalent chromium, and mercury, and 0.01% for cadmium, or qualify for an exemption to these limits as defined in the Annexes of Directive 2000/53/EC (ELV). Regarding the REACH Regulation, the information TE provides on SVHC in articles for this part number is based on the latest European Chemicals Agency (ECHA) 'Guidance on requirements for substances in articles' posted at this URL: <https://echa.europa.eu/guidance-documents/guidance-on-reach>

Compatible Parts



Also in the Series | **AMP CT**



PCB Connector Mounting(46)



PCB Headers & Receptacles(756)

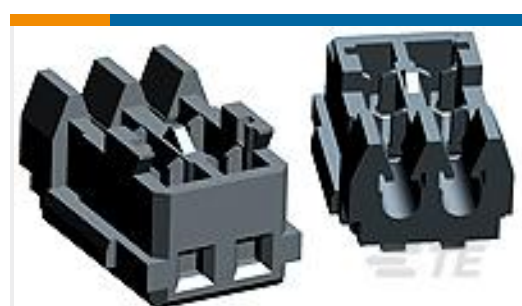
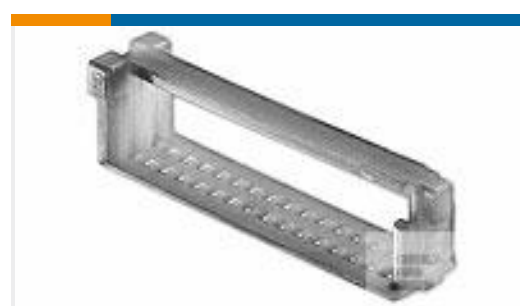


Wire-to-Board Connector Assemblies & Housings(257)



Wire-to-Board Connector Contacts(8)

Customers Also Bought

TE Part #1-292254-4
CT RELAY HDR ASSY 14P NATTE Part #1-292254-1
CT RELAY HDR ASSY 11P NATTE Part #292156-3
CT RELAY HDR ASSY FREE HANGINGTE Part #1-292215-2
MINI CT SGL RELAY 12P NATTE Part #1-353293-5
1.5 MINI-CT RECEPTACLETE Part #3-353294-2
AMP MINI D/R HDR HSG 32P NATUTE Part #3-353293-5
1.5MM CT MT REC ASSY 15P BLACKTE Part #3-292215-3
MINI CT SGL RELAY 13P BLACKTE Part #8-292112-9
MT REC ASSY (#26,28)

Documents

Product Drawings

[CT RELAY HDR ASSY FREE HANGING](#)

English

CAD Files

[3D PDF](#)

3D

[Customer View Model](#)

[ENG_CVM_CVM_292156-6_A.2d_dxf.zip](#)



English

Customer View Model

[ENG_CVM_CVM_292156-6_A.3d_igs.zip](#)

English

Customer View Model

[ENG_CVM_CVM_292156-6_A.3d_stp.zip](#)

English

By downloading the CAD file I accept and agree to the [Terms and Conditions](#) of use.

Datasheets & Catalog Pages

[2.0MM_AMP_CT_CONNECTOR_SERIES_QUICK_REF_GUIDE](#)

English

Product Specifications

[AMP COMMON TERMINATION \(CT\), CONNECTOR, 2mm PITCH, M/T TYPE, LEAD FREE VERSION](#)

Japanese

[Product Specification](#)

Japanese

Product Environmental Compliance

[MD_292156-6_08092017226_dmtec](#)

English

[MD_292156-6_08092017226_dmtec](#)

English