

# Type 3 surge protection device - PLT-SEC-T3-24-FM-PT



2907925

<https://www.phoenixcontact.com/gb/products/2907925>

Please be informed that the data shown in this PDF document is generated from our Online Catalog. Please find the complete data in the user documentation. Our General Terms of Use for Downloads are valid.



Type 3 surge protection, consisting of protective plug and base element, with integrated status indicator and remote signaling for single-phase power supply networks. Nominal voltage: 24 V AC/DC

## Your advantages

- Surge protection family for universal use with optimum energy coordination from the lightning current arrester to the device protection
- Easy to maintain due to consistently pluggable protection modules
- Excellent level of information provided by mechanical/visual status indicator and remote indication contact
- Your preferred connection technology can be selected as both screw connection and Push-in connection are available
- Optimal additional protection of the industrial power supply for a longer service life and increased availability of the system

## Commercial Data

Item number	2907925
Packing unit	5 pc
Minimum order quantity	1 pc
Sales Key	CL14A3
Product Key	CL14A3
Catalog Page	Page 82 (C-4-2019)
GTIN	4055626257495
Weight per Piece (including packing)	91.22 g
Weight per Piece (excluding packing)	77.16 g
Customs tariff number	85363030
Country of origin	DE

# Type 3 surge protection device - PLT-SEC-T3-24-FM-PT

2907925

<https://www.phoenixcontact.com/gb/products/2907925>

## Technical Data

### Product properties

IEC power supply system	TN-S
Type	DIN rail module, two-section, divisible
Product type	Device protection
Number of positions	2
Surge protection fault message	Optical, remote indicator contact

### Insulation characteristics

Overvoltage category	III
Pollution degree	2
IEC test classification	III
	T3
EN type	T3
Number of ports	One

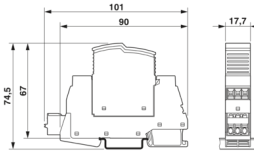
### Electrical properties

Connection name	Remote fault indicator contact
Switching function	Changeover contact
Operating voltage	250 V AC
	125 V DC (200 mA DC)
Operating current	0.5 A AC
	0.5 A DC (75 V DC)

### Connection data

Connection method	Push-in connection
Conductor cross section flexible	0.2 mm <sup>2</sup> ... 2.5 mm <sup>2</sup>
Conductor cross section solid	0.2 mm <sup>2</sup> ... 4 mm <sup>2</sup>
Conductor cross section AWG	24 ... 12

### Dimensions

Dimensional drawing	
Width	17.7 mm
Width	17.7 mm
Height	101 mm
Height	101 mm
Depth	74.5 mm (incl. DIN rail 7.5 mm)
Depth	74.5 mm

# Type 3 surge protection device - PLT-SEC-T3-24-FM-PT



2907925

<https://www.phoenixcontact.com/gb/products/2907925>

Horizontal pitch	1 Div.
------------------	--------

## Material specifications

Color	light grey RAL 7035
	traffic grey A RAL 7042
Flammability rating according to UL 94	V-0
CTI value of material	600
Insulating material	PA 6.6-FR 20 % GF
	PA 6.6-FR
Housing material	PA 6.6-FR 20 % GF
	PA 6.6-FR

## Protective circuit

Mode of protection	L-N
	L-PE
	N-PE
Direction of action	1L-N & N-PE
Nominal voltage $U_N$	24 V AC (TN-S)
Nominal frequency $f_N$	50 Hz (60 Hz)
Maximum continuous voltage $U_C$	34 V AC
Rated load current $I_L$	26 A (at 30 °C)
Residual current $I_{PE}$	$\leq 5 \mu\text{A}$
Standby power consumption $P_C$	$\leq 2.7 \text{ mVA}$ (at $U_{REF}$ )
	$\leq 4.8 \text{ mVA}$ (at $U_C$ )
Reference test voltage $U_{REF}$	27 V AC
Nominal discharge current $I_n$ (8/20) $\mu\text{s}$	1 kA
Combination wave $U_{OC}$	2 kV
Voltage protection level $U_p$ (L-N)	$\leq 0.2 \text{ kV}$
Voltage protection level $U_p$ (L-PE)	$\leq 0.6 \text{ kV}$
Voltage protection level $U_p$ (N-PE)	$\leq 0.6 \text{ kV}$
TOV behavior at $U_T$ (L-N)	50 V AC (120 min / withstand mode)
TOV behavior at $U_T$ (L-PE)	50 V AC (120 min / withstand mode)
Response time $t_A$ (L-N)	$\leq 25 \text{ ns}$
Response time $t_A$ (L-PE)	$\leq 100 \text{ ns}$
Response time $t_A$ (N-PE)	$\leq 100 \text{ ns}$
Short-circuit current rating $I_{SCCR}$	10 kA AC
Max. backup fuse with branch wiring	32 A (gG / B / C)

## Additional technical data

Short-circuit current rating $I_{SCCR}$	0.25 kA DC (Without additional backup fuse in the DC branch wiring)
	5 kA DC (for 20 A gG / B backup fuse)
Maximum discharge current $I_{max}$ (8/20) $\mu\text{s}$	4 kA
Nominal discharge current $I_n$ (8/20) $\mu\text{s}$	3 kA
Residual voltage $U_{res}$ (L-N)	$\leq 0.16 \text{ kV}$ (at 0.5 kA)

# Type 3 surge protection device - PLT-SEC-T3-24-FM-PT



2907925

<https://www.phoenixcontact.com/gb/products/2907925>

	≤ 0.2 kV (at 1 kA)
Residual voltage $U_{res}$ (L-PE)	≤ 0.35 kV (at 0.5 kA)
	≤ 0.4 kV (at 1 kA)
Residual voltage $U_{res}$ (N-PE)	≤ 0.35 kV (at 0.5 kA)
	≤ 0.4 kV (at 1 kA)
Maximum continuous voltage $U_C$	44 V DC
Mode of protection	(DC+) - (DC-)
	(DC+/DC-) - PE

## Environmental and real-life conditions

### Ambient conditions

Degree of protection	IP20
Ambient temperature (operation)	-40 °C ... 80 °C
Ambient temperature (storage/transport)	-40 °C ... 80 °C
Altitude	≤ 2000 m (operating voltage remote contact ≤ 250 V)
	≤ 6000 m (operating voltage remote contact ≤ 150 V)
Permissible humidity (operation)	5 % ... 95 %
Shock (operation)	30g (Half-sine / 11 ms / 3x ±X, ±Y, ±Z)
Vibration (operation)	5g (5 ... 500 Hz / 2.5 h / X, Y, Z)

## Standards and regulations

Standards/specifications	IEC 61643-11
Standards/specifications	EN 61643-11

## Mounting

Mounting type	DIN rail: 35 mm
---------------	-----------------

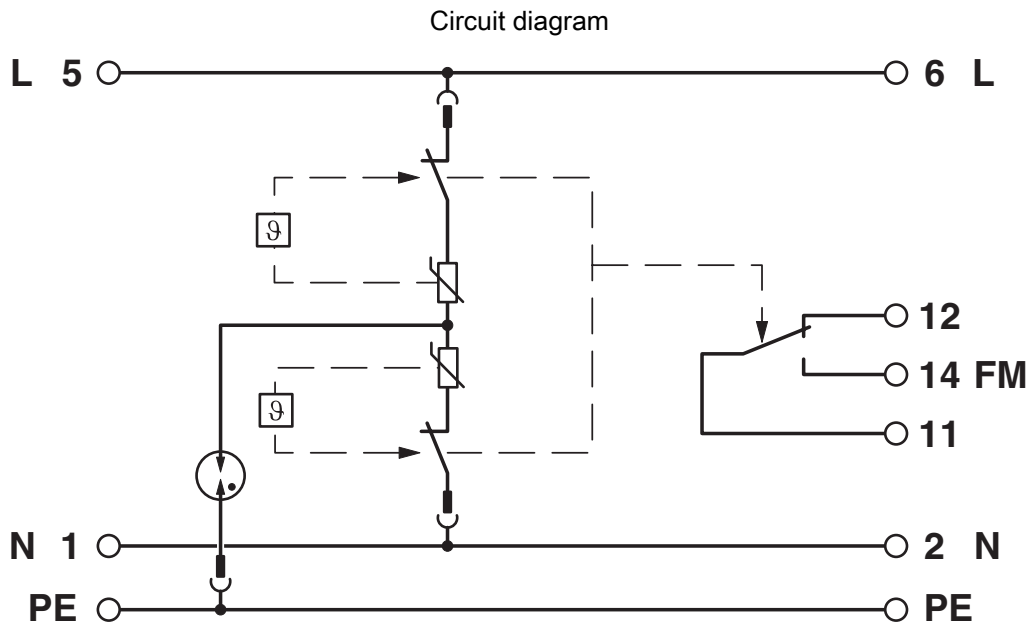
# Type 3 surge protection device - PLT-SEC-T3-24-FM-PT



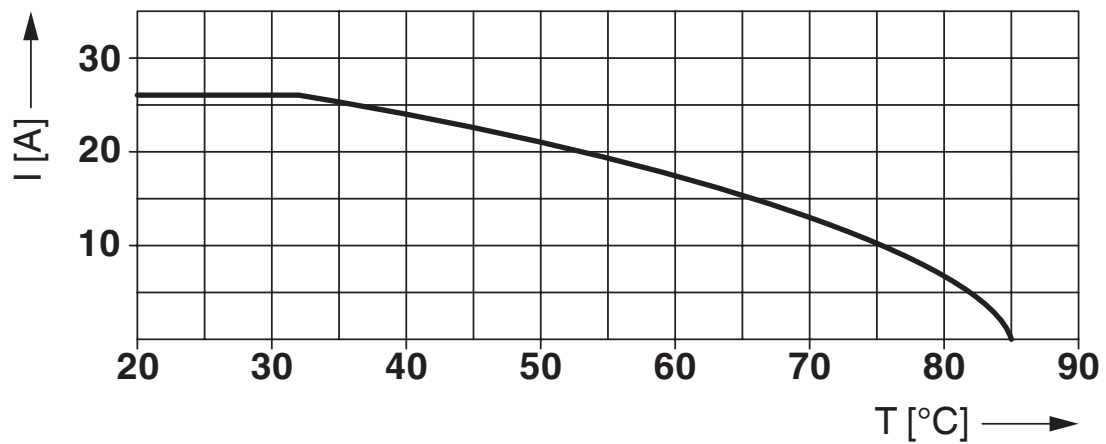
2907925

<https://www.phoenixcontact.com/gb/products/2907925>

## Drawings



Diagram



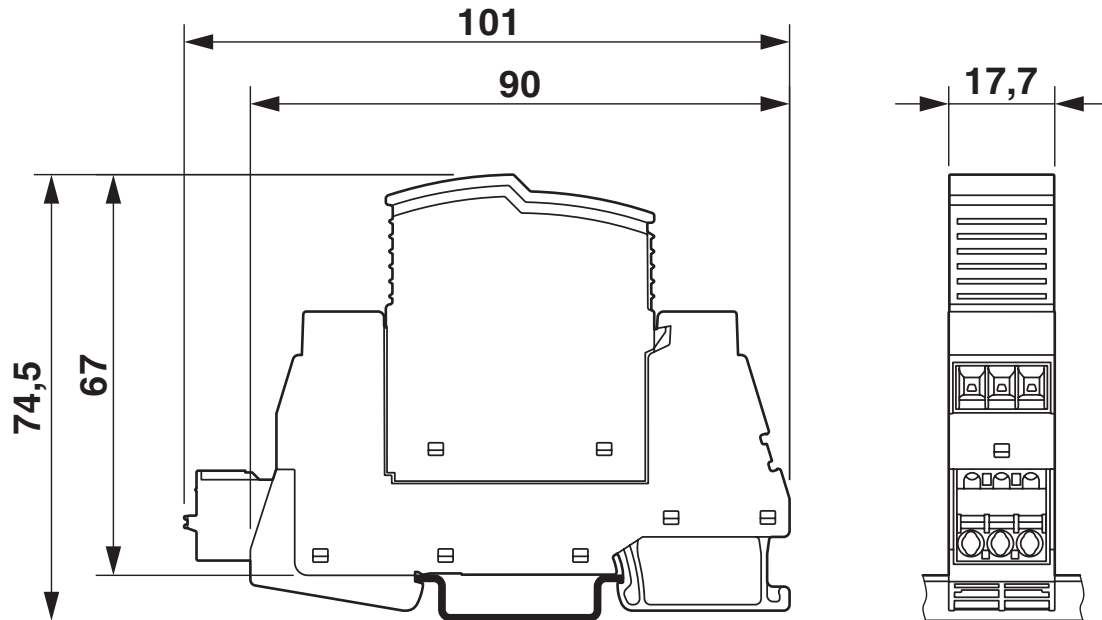
Nominal current depending on ambient temperature

# Type 3 surge protection device - PLT-SEC-T3-24-FM-PT

2907925

<https://www.phoenixcontact.com/gb/products/2907925>

Dimensional drawing



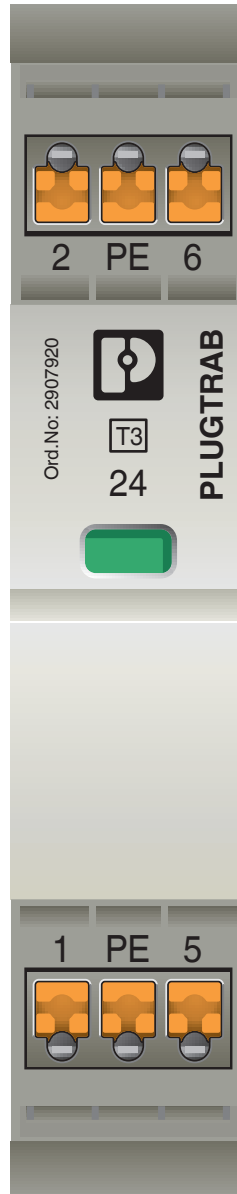
# Type 3 surge protection device - PLT-SEC-T3-24-FM-PT



2907925

<https://www.phoenixcontact.com/gb/products/2907925>

Product drawing



# Type 3 surge protection device - PLT-SEC-T3-24-FM-PT



2907925

<https://www.phoenixcontact.com/gb/products/2907925>

## Approvals



**IECEE CB Scheme**

Approval ID: NL-51083



**EAC**

Approval ID: RU C-DE.\*09.B.00169

**CCA**

Approval ID: NTR-NL 7676

	Nominal Voltage $U_N$	Nominal Current $I_N$	Cross Section AWG	Cross Section $\text{mm}^2$
			-	-



**KEMA-KEUR**

Approval ID: 71-103027



**DNV GL**

Approval ID: TAE00002U7

	Nominal Voltage $U_N$	Nominal Current $I_N$	Cross Section AWG	Cross Section $\text{mm}^2$
			-	-



# Type 3 surge protection device - PLT-SEC-T3-24-FM-PT



2907925

<https://www.phoenixcontact.com/gb/products/2907925>

## Classifications

### ECLASS

ECLASS-9.0	27130806
ECLASS-10.0.1	27130806
ECLASS-11.0	27130806

### ETIM

ETIM 8.0	EC000942
----------	----------

### UNSPSC

UNSPSC 21.0	39121600
-------------	----------

# Type 3 surge protection device - PLT-SEC-T3-24-FM-PT



2907925

<https://www.phoenixcontact.com/gb/products/2907925>

## Environmental Product Compliance

China RoHS	Environmentally friendly use period: unlimited = EFUP-e
	No hazardous substances above threshold values

# Type 3 surge protection device - PLT-SEC-T3-24-FM-PT



2907925

<https://www.phoenixcontact.com/gb/products/2907925>

## Accessories

### End clamp

End clamp - CLIPFIX 35 - 3022218

<https://www.phoenixcontact.com/gb/products/3022218>

Quick mounting end clamp for NS 35/7,5 DIN rail or NS 35/15 DIN rail, with marking option, width: 9.5 mm, color: gray



---

### Marker pen

Marker pen - X-PEN 0,35 - 0811228

<https://www.phoenixcontact.com/gb/products/0811228>

Marker pen without ink cartridge, for manual labeling of markers, labeling extremely wipe-proof, line thickness 0.35 mm



# Type 3 surge protection device - PLT-SEC-T3-24-FM-PT

2907925

<https://www.phoenixcontact.com/gb/products/2907925>

## Label

Label - EML (20XE)R - 0803452

<https://www.phoenixcontact.com/gb/products/0803452>



Label, Roll, white, unlabeled, can be labeled with: THERMOMARK ROLLMASTER 300/600, THERMOMARK X1.2, THERMOMARK ROLL X1, THERMOMARK ROLL 2.0, THERMOMARK ROLL, mounting type: adhesive, lettering field size: continuous x 20 mm

---

## Label

Label - EML (20XE)R YE - 0803453

<https://www.phoenixcontact.com/gb/products/0803453>



Label, Roll, yellow, unlabeled, can be labeled with: THERMOMARK ROLLMASTER 300/600, THERMOMARK X1.2, THERMOMARK ROLL X1, THERMOMARK ROLL 2.0, THERMOMARK ROLL, mounting type: adhesive, lettering field size: continuous x 20 mm

# Type 3 surge protection device - PLT-SEC-T3-24-FM-PT



2907925

<https://www.phoenixcontact.com/gb/products/2907925>

## Type 3 surge protection plug

Type 3 surge protection plug - PLT-SEC-T3-24-P-UT/PT - 2907920

<https://www.phoenixcontact.com/gb/products/2907920>



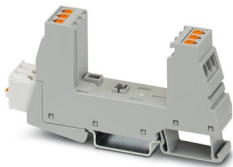
Replacement plug for type 3 surge protection from the PLT-SEC-...-UT/PT product series. Nominal voltage 24 V.

---

## Type 3 surge protection base element

Type 3 surge protection base element - PLT-SEC-T3-BE-FM-PT - 2907929

<https://www.phoenixcontact.com/gb/products/2907929>



Base element for protective plugs from the PLT-SEC-...-UT/PT product series with remote indication contact.

---

Phoenix Contact 2022 © - all rights reserved

<https://www.phoenixcontact.com>

PHOENIX CONTACT Ltd  
Halesfield 13, Telford  
Shropshire, TF7 4PG  
01952 681700  
[info@phoenixcontact.co.uk](mailto:info@phoenixcontact.co.uk)