

Type 3 surge protection device - PLT-SEC-T3-24-FM-UT



2907916

<https://www.phoenixcontact.com/gb/products/2907916>

Please be informed that the data shown in this PDF document is generated from our Online Catalog. Please find the complete data in the user documentation. Our General Terms of Use for Downloads are valid.



Type 3 surge protection, consisting of protective plug and base element, with integrated status indicator and remote signaling for single-phase power supply networks. Nominal voltage: 24 V AC/DC

Your advantages

- Surge protection family for universal use with optimum energy coordination from the lightning current arrester to the device protection
- Easy to maintain due to consistently pluggable protection modules
- Excellent level of information provided by mechanical/visual status indicator and remote indication contact
- Your preferred connection technology can be selected as both screw connection and Push-in connection are available
- Optimal additional protection of the industrial power supply for a longer service life and increased availability of the system

Commercial Data

Item number	2907916
Packing unit	5 pc
Minimum order quantity	1 pc
Sales Key	CL14A2
Product Key	CL14A2
Catalog Page	Page 82 (C-4-2019)
GTIN	4055626257419
Weight per Piece (including packing)	94.49 g
Weight per Piece (excluding packing)	81.16 g
Customs tariff number	85363030
Country of origin	DE

Type 3 surge protection device - PLT-SEC-T3-24-FM-UT

2907916

<https://www.phoenixcontact.com/gb/products/2907916>

Technical Data

Product properties

IEC power supply system	TN-S
Type	DIN rail module, two-section, divisible
Product type	Device protection
Number of positions	2
Surge protection fault message	Optical, remote indicator contact

Insulation characteristics

Overvoltage category	III
Pollution degree	2
IEC test classification	III
	T3
EN type	T3
Number of ports	One

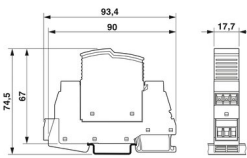
Electrical properties

Connection name	Remote fault indicator contact
Switching function	Changeover contact
Operating voltage	250 V AC
	125 V DC (200 mA DC)
Operating current	0.5 A AC
	0.5 A DC (75 V DC)

Connection data

Connection method	Screw connection
Screw thread	M3
Tightening torque	0.5 Nm
Conductor cross section flexible	0.2 mm ² ... 2.5 mm ²
Conductor cross section solid	0.2 mm ² ... 4 mm ²
Conductor cross section AWG	24 ... 12

Dimensions

Dimensional drawing	
Width	17.7 mm
Height	93.4 mm
Depth	74.5 mm (incl. DIN rail 7.5 mm)
Horizontal pitch	1 Div.

Type 3 surge protection device - PLT-SEC-T3-24-FM-UT



2907916

<https://www.phoenixcontact.com/gb/products/2907916>

Material specifications

Color	light grey RAL 7035
	traffic grey A RAL 7042
Flammability rating according to UL 94	V-0
CTI value of material	600
Insulating material	PA 6.6-FR 20 % GF
	PA 6.6-FR
Housing material	PA 6.6-FR 20 % GF
	PA 6.6-FR

Protective circuit

Mode of protection	L-N
	L-PE
	N-PE
Direction of action	1L-N & N-PE
Nominal voltage U_N	24 V AC (TN-S)
Nominal frequency f_N	50 Hz (60 Hz)
Maximum continuous voltage U_C	34 V AC
Rated load current I_L	26 A (at 30 °C)
Residual current I_{PE}	$\leq 5 \mu A$
Standby power consumption P_C	$\leq 2.7 \text{ mVA}$ (at U_{REF})
	$\leq 4.8 \text{ mVA}$ (at U_C)
Reference test voltage U_{REF}	27 V AC
Nominal discharge current I_n (8/20) μs	1 kA
Combination wave U_{OC}	2 kV
Voltage protection level U_p (L-N)	$\leq 0.2 \text{ kV}$
Voltage protection level U_p (L-PE)	$\leq 0.6 \text{ kV}$
Voltage protection level U_p (N-PE)	$\leq 0.6 \text{ kV}$
TOV behavior at U_T (L-N)	50 V AC (120 min / withstand mode)
TOV behavior at U_T (L-PE)	50 V AC (120 min / withstand mode)
Response time t_A (L-N)	$\leq 25 \text{ ns}$
Response time t_A (L-PE)	$\leq 100 \text{ ns}$
Response time t_A (N-PE)	$\leq 100 \text{ ns}$
Short-circuit current rating I_{SCCR}	10 kA AC
Max. backup fuse with branch wiring	32 A (gG / B / C)

Additional technical data

Short-circuit current rating I_{SCCR}	0.25 kA DC (Without additional backup fuse in the DC branch wiring)
	5 kA DC (for 20 A gG / B backup fuse)
Maximum discharge current I_{max} (8/20) μs	4 kA
Nominal discharge current I_n (8/20) μs	3 kA
Residual voltage U_{res} (L-N)	$\leq 0.16 \text{ kV}$ (at 0.5 kA)
	$\leq 0.2 \text{ kV}$ (at 1 kA)

Type 3 surge protection device - PLT-SEC-T3-24-FM-UT



2907916

<https://www.phoenixcontact.com/gb/products/2907916>

Residual voltage U_{res} (L-PE)	≤ 0.35 kV (at 0.5 kA)
	≤ 0.4 kV (at 1 kA)
Residual voltage U_{res} (N-PE)	≤ 0.35 kV (at 0.5 kA)
	≤ 0.4 kV (at 1 kA)
Maximum continuous voltage U_C	44 V DC
Mode of protection	(DC+) - (DC-)
	(DC+/DC-) - PE

Environmental and real-life conditions

Ambient conditions

Degree of protection	IP20
Ambient temperature (operation)	-40 °C ... 80 °C
Ambient temperature (storage/transport)	-40 °C ... 80 °C
Altitude	≤ 2000 m (operating voltage remote contact ≤ 250 V)
	≤ 6000 m (operating voltage remote contact ≤ 150 V)
Permissible humidity (operation)	5 % ... 95 %
Shock (operation)	30g (Half-sine / 11 ms / 3x $\pm X$, $\pm Y$, $\pm Z$)
Vibration (operation)	5g (5 ... 500 Hz / 2.5 h / X, Y, Z)

Approval data

UL specifications

Mode of protection	L-N
	L-G
	N-G
	(DC+) - (DC-)
	(DC+) - G
	(DC-) - G
Nominal voltage	34 V DC
Rated load current I_L	20 A
Power distribution system	Single phase
	DC
Nominal frequency	50/60 Hz
Measured limiting voltage MLV (L-N)	200 V
Measured limiting voltage MLV (L-G)	510 V
Measured limiting voltage MLV (N-G)	510 V
SPD Type	4CA
AC operating voltage	250 V AC (0.5 A)
DC operating voltage	12 V DC (4 A)
	24 V DC (2 A)
	48 V DC (1 A)

UL connection data

Tightening torque	4.4 lb _f -in.
Conductor cross section AWG	16 ... 12

Type 3 surge protection device - PLT-SEC-T3-24-FM-UT



2907916

<https://www.phoenixcontact.com/gb/products/2907916>

Standards and regulations

Standards/specifications	IEC 61643-11
Standards/specifications	EN 61643-11

Mounting

Mounting type	DIN rail: 35 mm
---------------	-----------------

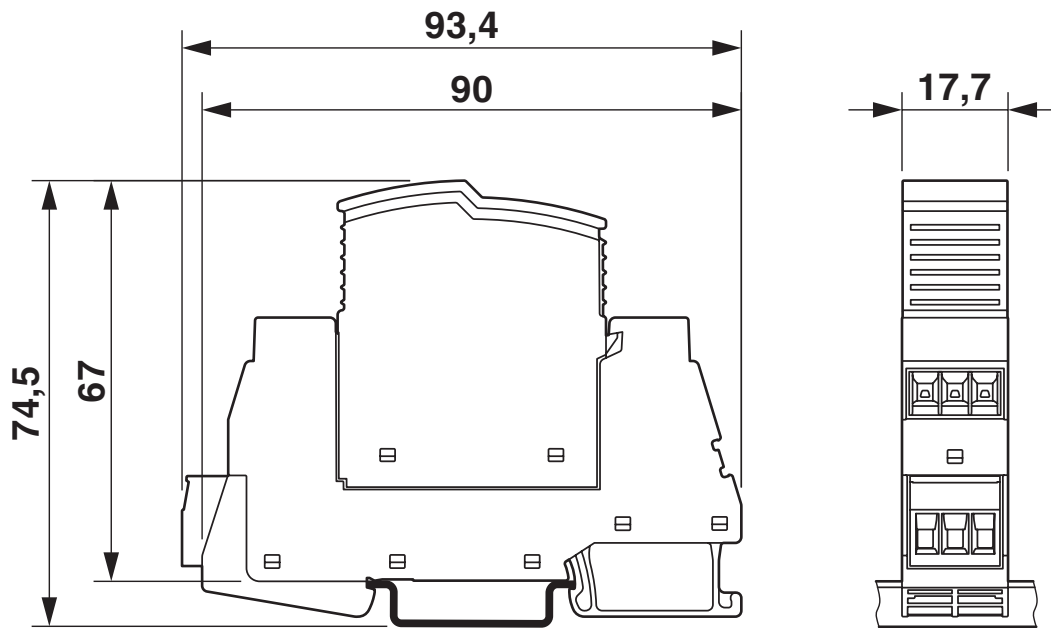
Type 3 surge protection device - PLT-SEC-T3-24-FM-UT

2907916

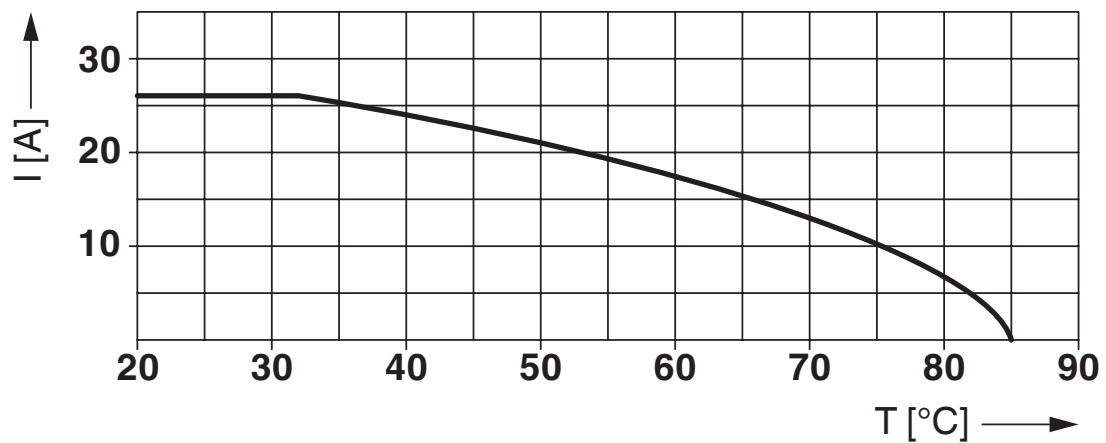
<https://www.phoenixcontact.com/gb/products/2907916>

Drawings

Dimensional drawing



Diagram



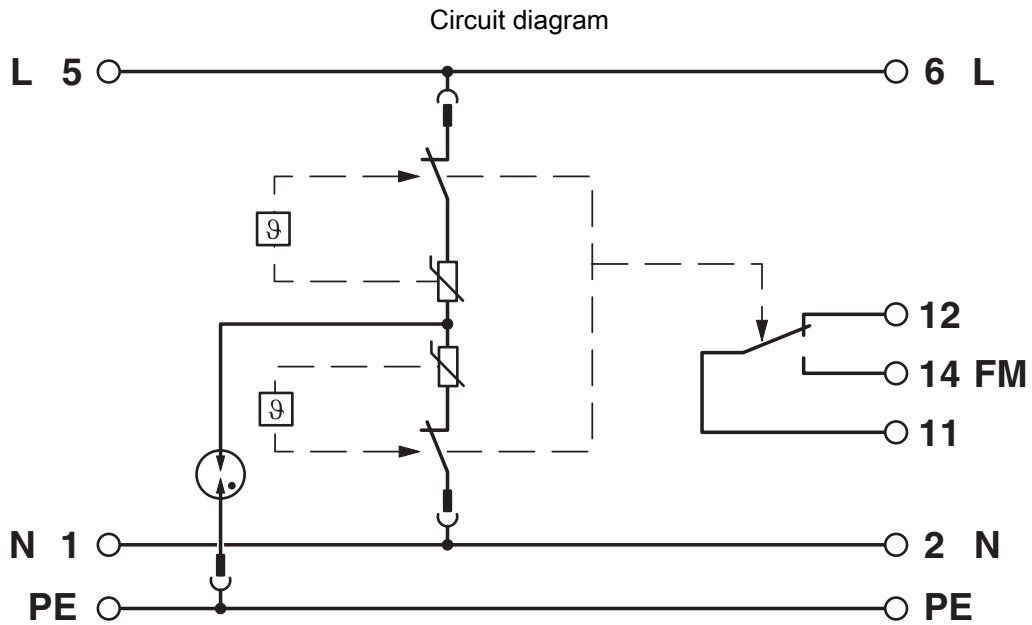
Nominal current depending on ambient temperature

Type 3 surge protection device - PLT-SEC-T3-24-FM-UT



2907916

<https://www.phoenixcontact.com/gb/products/2907916>



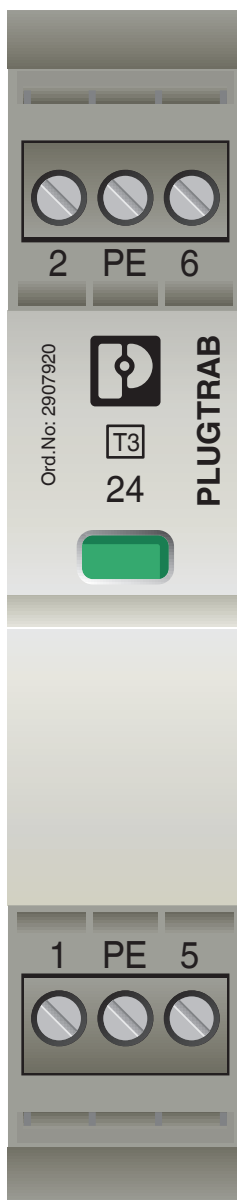
Type 3 surge protection device - PLT-SEC-T3-24-FM-UT



2907916

<https://www.phoenixcontact.com/gb/products/2907916>

Product drawing




Type 3 surge protection device - PLT-SEC-T3-24-FM-UT





2907916


<https://www.phoenixcontact.com/gb/products/2907916>

Approvals

 **cUL Recognized**
Approval ID: FILE E 330181

 **UL Recognized**
Approval ID: FILE E 330181


 **IECEE CB Scheme**
Approval ID: NL-51083

 **EAC**
Approval ID: RU C-DE.*09.B.00169

CCA
Approval ID: NTR-NL 7676

	Nominal Voltage U_N	Nominal Current I_N	Cross Section AWG	Cross Section mm^2
			-	-

 **KEMA-KEUR**
Approval ID: 71-103027

 **DNV GL**
Approval ID: TAE00002U7

	Nominal Voltage U_N	Nominal Current I_N	Cross Section AWG	Cross Section mm^2
			-	-

 **cUL Recognized**
Approval ID: FILE E 340736

	Nominal Voltage U_N	Nominal Current I_N	Cross Section AWG	Cross Section mm^2
			-	-

 **UL Recognized**
Approval ID: FILE E 340736

	Nominal Voltage U_N	Nominal Current I_N	Cross Section AWG	Cross Section mm^2
			-	-

Type 3 surge protection device - PLT-SEC-T3-24-FM-UT



2907916

<https://www.phoenixcontact.com/gb/products/2907916>

cULus Recognized

cULus Recognized

Type 3 surge protection device - PLT-SEC-T3-24-FM-UT



2907916

<https://www.phoenixcontact.com/gb/products/2907916>

Classifications

ECLASS

ECLASS-9.0	27130806
ECLASS-10.0.1	27130806
ECLASS-11.0	27130806

ETIM

ETIM 8.0	EC000942
----------	----------

UNSPSC

UNSPSC 21.0	39121600
-------------	----------

Type 3 surge protection device - PLT-SEC-T3-24-FM-UT



2907916

<https://www.phoenixcontact.com/gb/products/2907916>

Environmental Product Compliance

China RoHS	Environmentally Friendly Use Period = 50 years
	For information on hazardous substances, refer to the manufacturer's declaration available under "Downloads"

Type 3 surge protection device - PLT-SEC-T3-24-FM-UT



2907916

<https://www.phoenixcontact.com/gb/products/2907916>

Accessories

End clamp

End clamp - CLIPFIX 35 - 3022218

<https://www.phoenixcontact.com/gb/products/3022218>

Quick mounting end clamp for NS 35/7,5 DIN rail or NS 35/15 DIN rail, with marking option, width: 9.5 mm, color: gray



Marker pen

Marker pen - X-PEN 0,35 - 0811228

<https://www.phoenixcontact.com/gb/products/0811228>

Marker pen without ink cartridge, for manual labeling of markers, labeling extremely wipe-proof, line thickness 0.35 mm



Type 3 surge protection device - PLT-SEC-T3-24-FM-UT

2907916

<https://www.phoenixcontact.com/gb/products/2907916>

Label

Label - EML (20XE)R - 0803452

<https://www.phoenixcontact.com/gb/products/0803452>



Label, Roll, white, unlabeled, can be labeled with: THERMOMARK ROLLMASTER 300/600, THERMOMARK X1.2, THERMOMARK ROLL X1, THERMOMARK ROLL 2.0, THERMOMARK ROLL, mounting type: adhesive, lettering field size: continuous x 20 mm

Label

Label - EML (20XE)R YE - 0803453

<https://www.phoenixcontact.com/gb/products/0803453>



Label, Roll, yellow, unlabeled, can be labeled with: THERMOMARK ROLLMASTER 300/600, THERMOMARK X1.2, THERMOMARK ROLL X1, THERMOMARK ROLL 2.0, THERMOMARK ROLL, mounting type: adhesive, lettering field size: continuous x 20 mm

Type 3 surge protection device - PLT-SEC-T3-24-FM-UT



2907916

<https://www.phoenixcontact.com/gb/products/2907916>

Type 3 surge protection plug

Type 3 surge protection plug - PLT-SEC-T3-24-P-UT/PT - 2907920

<https://www.phoenixcontact.com/gb/products/2907920>

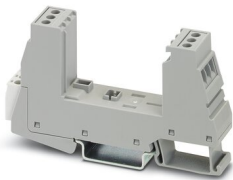


Replacement plug for type 3 surge protection from the PLT-SEC-...-UT/PT product series. Nominal voltage 24 V.

Type 3 surge protection base element

Type 3 surge protection base element - PLT-SEC-T3-BE-FM-UT - 2907924

<https://www.phoenixcontact.com/gb/products/2907924>



Base element for protective plugs from the PLT-SEC-...-UT/PT product series with remote indication contact.

Phoenix Contact 2022 © - all rights reserved

<https://www.phoenixcontact.com>

PHOENIX CONTACT Ltd

Halesfield 13, Telford

Shropshire, TF7 4PG

01952 681700

info@phoenixcontact.co.uk