

Surge protection device - TTC-6-TVSD-D-24DC-PT-I



2906851

<https://www.phoenixcontact.com/gb/products/2906851>

Please be informed that the data shown in this PDF document is generated from our Online Catalog. Please find the complete data in the user documentation. Our General Terms of Use for Downloads are valid.

Fine surge protection with integrated status indicator for a 2-wire floating signal circuit.



Your advantages

- Space-saving and cost-saving with a narrow overall width of just 6 mm
- Continuous monitoring of protective devices, plus mechanical status indicator with optional remote signaling
- Finding the right product for all possible requirements in MCR applications is easy, thanks to the complete range of products with customized features

Commercial Data

Item number	2906851
Packing unit	1 pc
Minimum order quantity	1 pc
Sales Key	CL2265
Product Key	CL2265
Catalog Page	Page 149 (C-4-2019)
GTIN	4055626137070
Weight per Piece (including packing)	25.44 g
Weight per Piece (excluding packing)	20.78 g
Customs tariff number	85363010
Country of origin	DE

Surge protection device - TTC-6-TVSD-D-24DC-PT-I



2906851

<https://www.phoenixcontact.com/gb/products/2906851>

Technical Data

Product properties

IEC test classification	C3
Type	DIN rail module, one-piece
Product type	Surge protection for MCR technology
Surge protection fault message	optical
Wire pairs per module	1

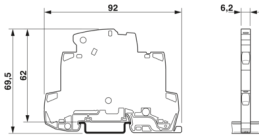
Insulation characteristics

Overvoltage category	III
Pollution degree	2

Connection data

Connection method	Push-in connection
Conductor cross section flexible	0.2 mm ² ... 2.5 mm ²
Conductor cross section solid	0.2 mm ² ... 4 mm ²
Conductor cross section AWG	24 ... 12

Dimensions

Dimensional drawing	
Width	6.2 mm
Width	6.2 mm
Height	92 mm
Height	92 mm
Depth	69.5 mm (incl. DIN rail 7.5 mm)
Depth	69.5 mm

Material specifications

Color	traffic grey A RAL 7042
Flammability rating according to UL 94	V-0
Insulating material	PBT
Housing material	PBT

Mechanical properties

Mechanical data

Open side panel	Yes
-----------------	-----

Protective circuit

Direction of action	Line-Line
---------------------	-----------

Surge protection device - TTC-6-TVSD-D-24DC-PT-I



2906851

<https://www.phoenixcontact.com/gb/products/2906851>

Maximum continuous voltage U_C	30 V DC
	21 V AC
Rated current	10 A (60 °C)
Operating effective current I_C at U_C	$\leq 5 \mu\text{A}$
Nominal discharge current I_n (8/20) μs (line-line)	150 A
Voltage protection level U_p (line-line)	$\leq 50 \text{ V}$ (C3 - 25 A)
	$\leq 50 \text{ V}$ (C3 - 30 A)
Response time t_A (line-line)	$\leq 1 \text{ ns}$
Input attenuation aE, sym.	typ. 0.3 dB ($\leq 520 \text{ kHz}$ / 150 Ω)
Cut-off frequency f_g (3 dB), sym. in 150 Ω system	typ. 1.7 MHz
Capacity (Core-Core)	1.5 nF
Resistance per path	$\leq 100 \text{ m}\Omega$
Surge protection fault message	optical
Impulse durability (line-line)	C3 - 30 A

Environmental and real-life conditions

Ambient conditions

Degree of protection	IP20 (with end cover)
Ambient temperature (operation)	-40 °C ... 85 °C
Ambient temperature (storage/transport)	-40 °C ... 85 °C
Altitude	$\leq 4000 \text{ m}$ (amsl (above mean sea level))
Permissible humidity (operation)	5 % ... 95 %

Standards and regulations

Standards/specifications	IEC 61643-21
Standards/specifications	EN 61643-21

Mounting

Mounting type	DIN rail: 35 mm
---------------	-----------------

Surge protection device - TTC-6-TVSD-D-24DC-PT-I

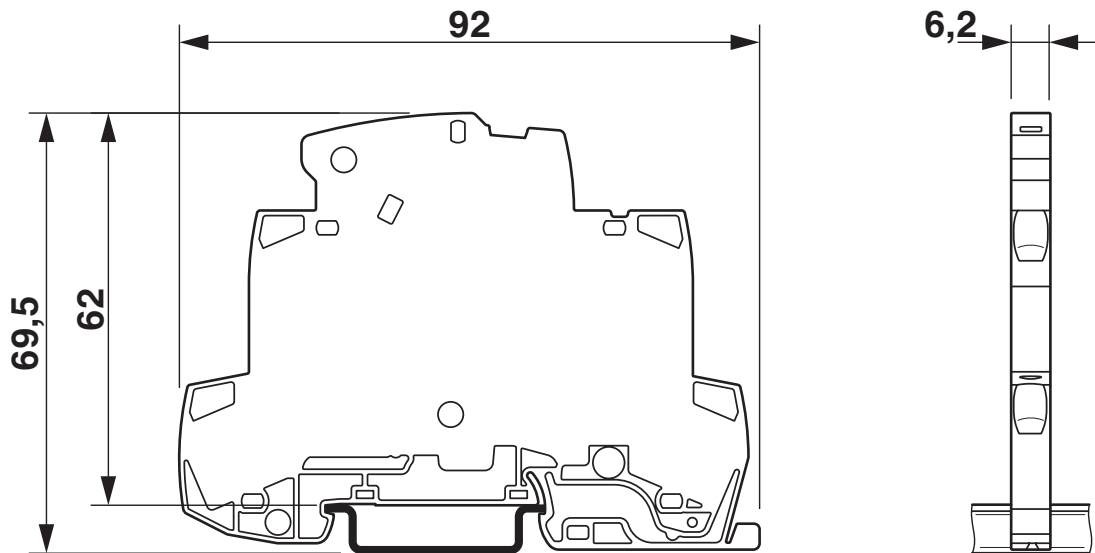


2906851

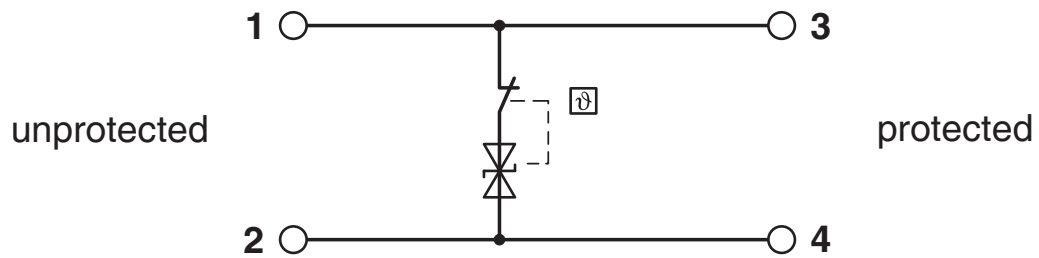
<https://www.phoenixcontact.com/gb/products/2906851>

Drawings

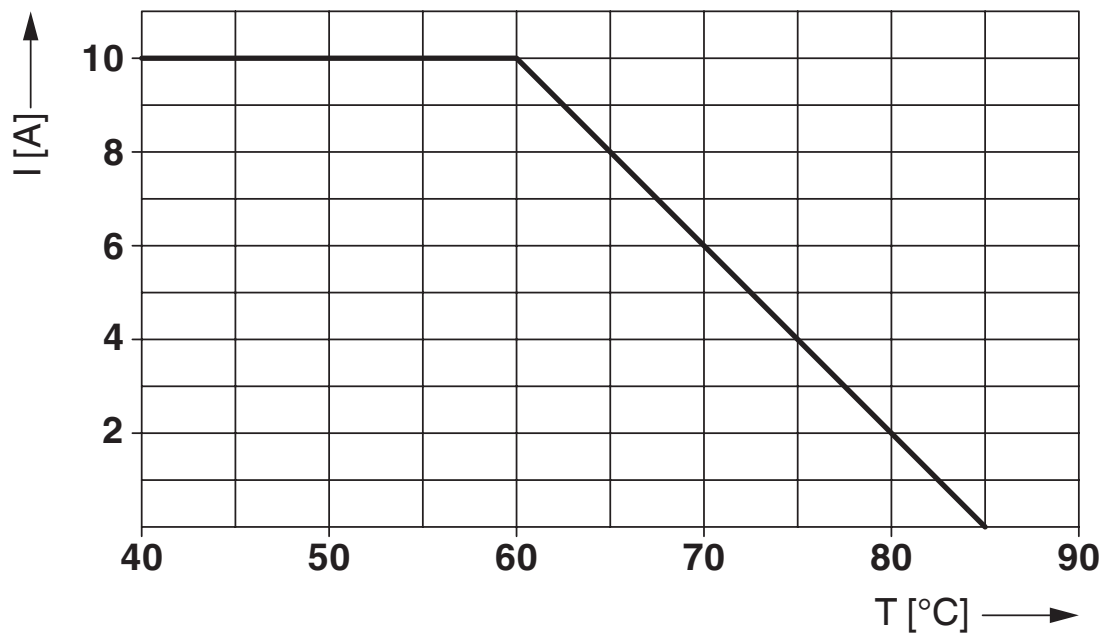
Dimensional drawing



Circuit diagram



Diagram



Surge protection device - TTC-6-TVSD-D-24DC-PT-I



2906851

<https://www.phoenixcontact.com/gb/products/2906851>

Approvals



CSA

Approval ID: 70136717



DNV GL

Approval ID: TAE000027G

Nominal Voltage U_N

Nominal Current I_N

Cross Section AWG

Cross Section mm^2

-

-



UL Listed

Approval ID: FILE E 138168



CSAus

Approval ID: 70136717

cCSAus

Surge protection device - TTC-6-TVSD-D-24DC-PT-I



2906851

<https://www.phoenixcontact.com/gb/products/2906851>

Classifications

ECLASS

ECLASS-9.0	27130807
ECLASS-10.0.1	27130807
ECLASS-11.0	27130807

ETIM

ETIM 8.0	EC000943
----------	----------

UNSPSC

UNSPSC 21.0	39121600
-------------	----------

Surge protection device - TTC-6-TVSD-D-24DC-PT-I



2906851

<https://www.phoenixcontact.com/gb/products/2906851>

Environmental Product Compliance

REACH SVHC	Lead 7439-92-1
China RoHS	Environmentally Friendly Use Period = 50 years
	For information on hazardous substances, refer to the manufacturer's declaration available under "Downloads"

2906851

<https://www.phoenixcontact.com/gb/products/2906851>

Accessories

Marker pen

Marker pen - X-PEN 0,35 - 0811228

<https://www.phoenixcontact.com/gb/products/0811228>



Marker pen without ink cartridge, for manual labeling of markers, labeling extremely wipe-proof, line thickness 0.35 mm

Zack Marker strip, flat

Zack Marker strip, flat - ZBF 6 CUS - 0825027

<https://www.phoenixcontact.com/gb/products/0825027>



Zack Marker strip, flat, Strip, can be ordered: Strip, white, labeled according to customer specifications, mounting type: snap into flat marker groove, for terminal block width: 6.2 mm, lettering field size: 5.15 x 6.15 mm, Number of individual labels: 10

2906851

<https://www.phoenixcontact.com/gb/products/2906851>

Zack Marker strip, flat

Zack Marker strip, flat - ZBF 6:UNBEDRUCKT - 0808710

<https://www.phoenixcontact.com/gb/products/0808710>



Zack Marker strip, flat, Strip, white, unlabeled, can be labeled with: PLOTMARK, CMS-P1-PLOTTER, mounting type: snapped, for terminal block width: 6.2 mm, lettering field size: 5.15 x 6.15 mm, Number of individual labels: 10

Zack Marker strip, flat

Zack Marker strip, flat - ZBF 6/WH-100:UNBEDRUCKT - 0808736

<https://www.phoenixcontact.com/gb/products/0808736>



Zack Marker strip, flat, Strip, white, unlabeled, can be labeled with: PLOTMARK, CMS-P1-PLOTTER, mounting type: snapped, for terminal block width: 6.2 mm, lettering field size: 5.15 x 6.15 mm, Number of individual labels: 1000

Surge protection device - TTC-6-TVSD-D-24DC-PT-I



2906851

<https://www.phoenixcontact.com/gb/products/2906851>

End clamp

End clamp - CLIPFIX 35-5 - 3022276

<https://www.phoenixcontact.com/gb/products/3022276>



Quick mounting end clamp for NS 35/7,5 DIN rail or NS 35/15 DIN rail, with marking option, with parking option for FBS...5, FBS...6, KSS 5, KSS 6, width: 5.15 mm, color: gray

Remote signaling set

Remote signaling set - TTC-6-FMRS-PT - 2907811

<https://www.phoenixcontact.com/gb/products/2907811>



Module set for the optical monitoring and floating remote signaling of adjacent surge protective devices in the TERMITRAB complete or CLIXTRAB product family. Suitable for directly grounded DIN rails.

Surge protection device - TTC-6-TVSD-D-24DC-PT-I



2906851

<https://www.phoenixcontact.com/gb/products/2906851>

Cover

Cover - TTC-6-LCP - 2908729

<https://www.phoenixcontact.com/gb/products/2908729>



End cover for terminating a row of TERMITRAB complete TTC-6... terminal blocks

Shield connection

Shield connection - SSA 3-6 - 2839295

<https://www.phoenixcontact.com/gb/products/2839295>



Shield fast connection for 3 ... 6 mm cable diameter. Potential connecting cable: 200 mm, 1 mm², color: black

Surge protection device - TTC-6-TVSD-D-24DC-PT-I



2906851

<https://www.phoenixcontact.com/gb/products/2906851>

Shield connection

Shield connection - SSA 5-10 - 2839512

<https://www.phoenixcontact.com/gb/products/2839512>

Shield fast connection for 5 ... 10 mm cable diameter. Potential connecting cable:
200 mm, 1 mm², color: black



Phoenix Contact 2022 © - all rights reserved

<https://www.phoenixcontact.com>

PHOENIX CONTACT Ltd
Halesfield 13, Telford
Shropshire, TF7 4PG
01952 681700
info@phoenixcontact.co.uk