

2906786

<https://www.phoenixcontact.com/gb/products/2906786>

Please be informed that the data shown in this PDF document is generated from our Online Catalog. Please find the complete data in the user documentation. Our General Terms of Use for Downloads are valid.



Surge protection, consisting of protective plug and base element, with integrated status indicator and knife disconnection for three signal wires with common reference potential. For HF applications and telecommunications interfaces without supply voltage. Indirect grounding via gas discharge tube, Ex e approval for zone 2.

## Your advantages

- Space-saving and cost-saving with a narrow overall width of just 6 mm
- Continuous monitoring of protective devices, plus mechanical status indicator with optional remote signaling
- Finding the right product for all possible requirements in MCR applications is easy, thanks to the complete range of products with customized features
- Easy testing and documentation with CHECKMASTER 2 with pluggable protective modules
- The signal is not influenced during maintenance work, thanks to the impedance-neutral insertion and removal of protective plugs

## Commercial Data

Item number	2906786
Packing unit	1 pc
Minimum order quantity	1 pc
Sales Key	CL2161
Product Key	CL2161
Catalog Page	Page 171 (C-4-2019)
GTIN	4055626135434
Weight per Piece (including packing)	57.6 g
Weight per Piece (excluding packing)	57.6 g
Customs tariff number	85363010
Country of origin	DE

2906786

<https://www.phoenixcontact.com/gb/products/2906786>

## Technical Data

### Product properties

IEC test classification	C1
	C2
	C3
	D1
Type	DIN rail module, two-section, divisible
Product type	Surge protection for information technology

### Insulation characteristics

Overvoltage category	III
Pollution degree	2

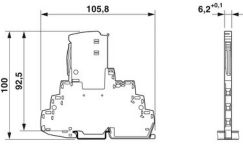
### Connection data

Connection method	Screw connection
Screw thread	M3
Tightening torque	0.5 Nm ... 0.6 Nm
Conductor cross section flexible	0.2 mm <sup>2</sup> ... 2.5 mm <sup>2</sup>
Conductor cross section solid	0.2 mm <sup>2</sup> ... 4 mm <sup>2</sup>
Conductor cross section AWG	24 ... 12

### Ex data

Maximum input current	600 mA (T4 / ≤ 30 °C)
	500 mA (T4 / > 30 °C ... ≤ 50 °C)
	400 mA (T4 / > 50 °C ... ≤ 70 °C)
Maximum input voltage	15 V DC
Altitude	≤ 2000 m (amsl (above mean sea level))
Ambient temperature (operation)	-40 °C ... 70 °C (T4)

### Dimensions

Dimensional drawing	
Width	6.2 mm +0.1 mm
Height	105.8 mm
Depth	100 mm (incl. DIN rail 7.5 mm)

### Material specifications

Color	traffic grey A RAL 7042
	light grey RAL 7035
Flammability rating according to UL 94	V-0

2906786

<https://www.phoenixcontact.com/gb/products/2906786>

Insulating material	PBT
Housing material	PBT

## Mechanical properties

### Mechanical data

Open side panel	No
-----------------	----

## Protective circuit

Direction of action	Line-Line & Line-Signal Ground/Shield & optional Signal Ground/Shield-Earth Ground
Maximum continuous voltage $U_C$	15 V DC
	10 V AC
Rated current	600 mA (56 °C)
Operating effective current $I_C$ at $U_C$	$\leq 100 \mu\text{A}$
Residual current $I_{PE}$	$\leq 1 \mu\text{A}$
Nominal discharge current $I_n$ (8/20) $\mu\text{s}$ (line-line)	5 kA
Nominal discharge surge current $I_n$ (8/20) $\mu\text{s}$ (Core-Earth)	5 kA
Nominal discharge current $I_n$ (8/20) $\mu\text{s}$ (line-signal ground)	5 kA
Pulse discharge current $I_{imp}$ (10/350) $\mu\text{s}$ (line-line)	0.5 kA
Pulse discharge current $I_{imp}$ (10/350) $\mu\text{s}$ (line-earth)	0.5 kA
Pulse discharge current $I_{imp}$ (10/350) $\mu\text{s}$ (line-signalground)	0.5 kA
Total discharge current $I_{total}$ (8/20) $\mu\text{s}$	10 kA
Voltage protection level $U_p$ (line-line)	$\leq 145 \text{ V}$ (C1 - 1 kV / 500 A)
	$\leq 260 \text{ V}$ (C2 - 10 kV / 5 kA)
	$\leq 25 \text{ V}$ (C3 - 25 A)
	$\leq 30 \text{ V}$ (C3 - 100 A)
Voltage protection level $U_p$ (line-earth)	$\leq 750 \text{ V}$ (C1 - 1 kV / 500 A)
	$\leq 750 \text{ V}$ (C2 - 10 kV / 5 kA)
	$\leq 1.1 \text{ kV}$ (C3 - 25 A)
	$\leq 1.2 \text{ kV}$ (C3 - 100 A)
Voltage protection level $U_p$ (line-signalground)	$\leq 80 \text{ V}$ (C1 - 1 kV / 500 A)
	$\leq 95 \text{ V}$ (C2 - 10 kV / 5 kA)
	$\leq 25 \text{ V}$ (C3 - 25 A)
	$\leq 30 \text{ V}$ (C3 - 100 A)
Voltage protection level $U_p$ static (line-line)	$\leq 40 \text{ V}$ (C1 - 1 kV / 500 A)
	$\leq 95 \text{ V}$ (C2 - 10 kV / 5 kA)
Voltage protection level $U_p$ static (line-earth)	$\leq 40 \text{ V}$ (C1 - 1 kV / 500 A)
	$\leq 95 \text{ V}$ (C2 - 10 kV / 5 kA)
Voltage protection level $U_p$ static (line-signalground)	$\leq 750 \text{ V}$ (C1 - 1 kV / 500 A)
	$\leq 750 \text{ V}$ (C2 - 10 kV / 5 kA)
Response time $t_A$ (line-line)	$\leq 1 \text{ ns}$
Response time $t_A$ (line-earth)	$\leq 100 \text{ ns}$
Response time $t_A$ (line-signalground)	$\leq 1 \text{ ns}$
Input attenuation aE, sym.	typ. 0.3 dB ( $\leq 8.7 \text{ MHz}$ / 150 $\Omega$ )

2906786

<https://www.phoenixcontact.com/gb/products/2906786>

Input attenuation aE, asym.	typ. 0.3 dB ( $\leq 10.5$ MHz / 150 $\Omega$ )
Cut-off frequency $f_g$ (3 dB), sym. in 150 $\Omega$ system	typ. 60 MHz
Cut-off frequency $f_g$ (3 dB), asym. (signal ground) in 150 $\Omega$ system	typ. 60 MHz
Capacity (Core-Core)	typ. 32 pF
Capacity (line-signalground)	typ. 32 pF
Resistance per path	1.65 $\Omega$ $\pm 20$ %
Surge protection fault message	optical
Max. required back-up fuse	630 mA (FF)
Impulse durability (line-line)	C1 - 1 kV / 500 A
	C2 - 10 kV / 5 kA
	C3 - 100 A
Impulse durability (line-earth)	C1 - 1 kV / 500 A
	C2 - 10 kV / 5 kA
	C3 - 100 A
	D1 - 500 A
Impulse durability (line-signalground)	C1 - 1 kV / 500 A
	C2 - 10 kV / 5 kA
	C3 - 100 A
	D1 - 500 A
Pulse reset time (line-line)	$\leq 30$ ms
Pulse reset time (line-earth)	$\leq 30$ ms
Pulse reset time (line-signalground)	$\leq 30$ ms

## Additional technical data

Max. total discharge current $I_{\text{total max}}$ (8/20) $\mu\text{s}$	20 kA (1x - non Ex)
--	---------------------

## Environmental and real-life conditions

## Ambient conditions

Degree of protection	IP20
Ambient temperature (operation)	-40 °C ... 85 °C
Ambient temperature (storage/transport)	-40 °C ... 85 °C
Altitude	$\leq 4000$ m (amsl (above mean sea level))
Permissible humidity (operation)	5 % ... 95 %

## Standards and regulations

Standards/specifications	IEC 61643-21
Standards/specifications	EN 61643-21
Standards/specifications	IEC 60079-0
Standards/specifications	IEC 60079-7
Standards/specifications	EN IEC 60079-0
Standards/specifications	EN IEC 60079-7

## Mounting

# Surge protection device - TTC-6P-3-HF-F-M-12DC-UT-

|



2906786

<https://www.phoenixcontact.com/gb/products/2906786>

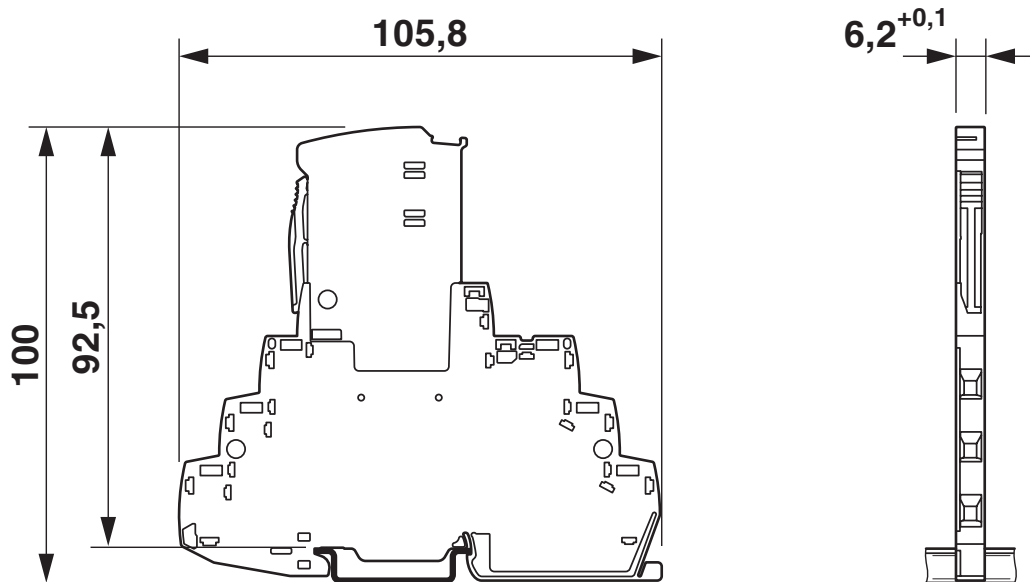
Mounting type	DIN rail: TH 35 - 7.5 mm
---------------	--------------------------

2906786

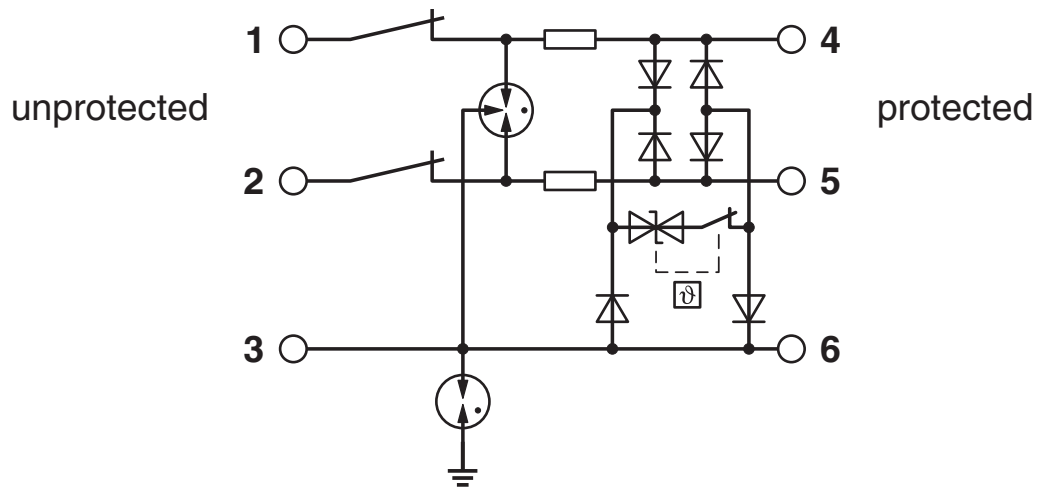
<https://www.phoenixcontact.com/gb/products/2906786>

Drawings

Dimensional drawing



Circuit diagram



Diagram

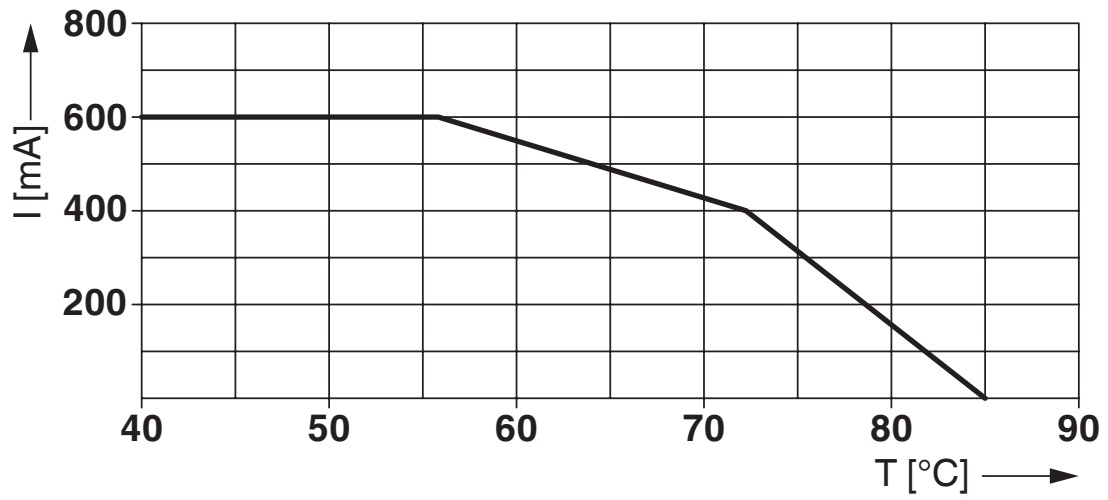
Derating for Ex-areas (Zone 2, EX ec)

$\vartheta$ [°C]	I [mA]
$\leq 30^{\circ}\text{C}$	600 mA
$> 30^{\circ}\text{C} \dots \leq 50^{\circ}\text{C}$	500 mA
$> 50^{\circ}\text{C} \dots \leq 70^{\circ}\text{C}$	400 mA

2906786

<https://www.phoenixcontact.com/gb/products/2906786>

Diagram



2906786

<https://www.phoenixcontact.com/gb/products/2906786>

## Approvals



**CSA**

Approval ID: 70136717



**DNV GL**

Approval ID: TAE000027G

Nominal Voltage  $U_N$

Nominal Current  $I_N$

Cross Section AWG

Cross Section  $\text{mm}^2$

-

-



**UL Listed**

Approval ID: FILE E 138168



**CSAus**

Approval ID: 70136717



**IECEx**

Approval ID: IECEx BVS 21.0057X



**ATEX**

Approval ID: BVS 21 ATEX E 052 X

**cCSAus**



2906786

<https://www.phoenixcontact.com/gb/products/2906786>

## Classifications

### ECLASS

ECLASS-9.0	27130807
ECLASS-10.0.1	27130807
ECLASS-11.0	27130807

### ETIM

ETIM 8.0	EC000943
----------	----------

### UNSPSC

UNSPSC 21.0	39121600
-------------	----------

|

2906786

<https://www.phoenixcontact.com/gb/products/2906786>

## Environmental Product Compliance

REACH SVHC	Lead 7439-92-1
China RoHS	Environmentally Friendly Use Period = 50 years
	For information on hazardous substances, refer to the manufacturer's declaration available under "Downloads"

2906786

<https://www.phoenixcontact.com/gb/products/2906786>

## Accessories

### Marker pen

Marker pen - X-PEN 0,35 - 0811228

<https://www.phoenixcontact.com/gb/products/0811228>



Marker pen without ink cartridge, for manual labeling of markers, labeling extremely wipe-proof, line thickness 0.35 mm

---

### Zack Marker strip, flat

Zack Marker strip, flat - ZBF 6 CUS - 0825027

<https://www.phoenixcontact.com/gb/products/0825027>



Zack Marker strip, flat, Strip, can be ordered: Strip, white, labeled according to customer specifications, mounting type: snap into flat marker groove, for terminal block width: 6.2 mm, lettering field size: 5.15 x 6.15 mm, Number of individual labels: 10

2906786

<https://www.phoenixcontact.com/gb/products/2906786>

## Zack Marker strip, flat

Zack Marker strip, flat - ZBF 6:UNBEDRUCKT - 0808710

<https://www.phoenixcontact.com/gb/products/0808710>



Zack Marker strip, flat, Strip, white, unlabeled, can be labeled with: PLOTMARK, CMS-P1-PLOTTER, mounting type: snapped, for terminal block width: 6.2 mm, lettering field size: 5.15 x 6.15 mm, Number of individual labels: 10

---

## Zack Marker strip, flat

Zack Marker strip, flat - ZBF 6/WH-100:UNBEDRUCKT - 0808736

<https://www.phoenixcontact.com/gb/products/0808736>



Zack Marker strip, flat, Strip, white, unlabeled, can be labeled with: PLOTMARK, CMS-P1-PLOTTER, mounting type: snapped, for terminal block width: 6.2 mm, lettering field size: 5.15 x 6.15 mm, Number of individual labels: 1000

|

2906786

<https://www.phoenixcontact.com/gb/products/2906786>

## End clamp

End clamp - CLIPFIX 35-5 - 3022276

<https://www.phoenixcontact.com/gb/products/3022276>



Quick mounting end clamp for NS 35/7,5 DIN rail or NS 35/15 DIN rail, with marking option, with parking option for FBS...5, FBS...6, KSS 5, KSS 6, width: 5.15 mm, color: gray

---

## Remote signaling set

Remote signaling set - TTC-6-FMRS-UT - 2907810

<https://www.phoenixcontact.com/gb/products/2907810>



Module set for the optical monitoring and floating remote signaling of adjacent surge protective devices in the TERMITRAB complete or CLIXTRAB product family. Suitable for directly grounded DIN rails.

2906786

<https://www.phoenixcontact.com/gb/products/2906786>

## Fuse holder

Fuse holder - TTC-6-FC-UT - 1054762

<https://www.phoenixcontact.com/gb/products/1054762>



Fuse carrier for surge protective devices of the TERMITRAB complete product range with screw connection technology. Multi-level connection on TTC-6 housings possible. For conventional 5x20 mm miniature fuses.

---

## Shield connection

Shield connection - SSA 3-6 - 2839295

<https://www.phoenixcontact.com/gb/products/2839295>



Shield fast connection for 3 ... 6 mm cable diameter. Potential connecting cable: 200 mm, 1 mm<sup>2</sup>, color: black

# Surge protection device - TTC-6P-3-HF-F-M-12DC-UT-



2906786

<https://www.phoenixcontact.com/gb/products/2906786>

## Shield connection

Shield connection - SSA 5-10 - 2839512

<https://www.phoenixcontact.com/gb/products/2839512>

Shield fast connection for 5 ... 10 mm cable diameter. Potential connecting cable: 200 mm, 1 mm<sup>2</sup>, color: black



## Surge protection plug

Surge protection plug - TTC-6P-3-HF-12DC-I-P - 2907846

<https://www.phoenixcontact.com/gb/products/2907846>

Surge protection plug with integrated status indicator on the module for three signal wires. For HF applications. Nominal voltage: 12 V DC



Phoenix Contact 2022 © - all rights reserved

<https://www.phoenixcontact.com>

PHOENIX CONTACT Ltd

Halesfield 13, Telford

Shropshire, TF7 4PG

01952 681700

[info@phoenixcontact.co.uk](mailto:info@phoenixcontact.co.uk)