

## KRALLEN cable gland

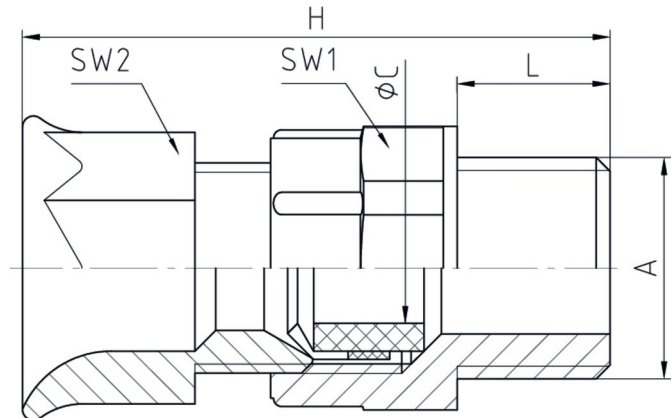
28.7xx PA

|                          |                      |
|--------------------------|----------------------|
| <b>Pressure screw</b>    | Polyamide PA6 GF30   |
| <b>Clamping cage</b>     | Polyoxymethylene POM |
| <b>Sealing ring</b>      | SBR/NBR              |
| <b>Gland body</b>        | Polyamide PA6 GF30   |
| <b>Connecting thread</b> | Pg as per DIN 40430  |



### Properties

|                               |  |
|-------------------------------|--|
|                               | <ul style="list-style-type: none"> <li>with clamping cage for anchorage</li> <li>bending protection</li> </ul> |
| <b>Temperature range (°C)</b> | -30<br>+100  |
| <b>Protection grade</b>       | 65   |




### Features



RAL 7035

Connecting thread standard length

| A       | ØC      | L  | SW1 | SW2 | H    |  | Part No.  |
|---------|---------|----|-----|-----|------|--|-----------|
| Pg 7    | 4 - 6   | 8  | 15  | 13  | 36   | 50   | 28.707 PA |
| Pg 9    | 6 - 8   | 8  | 19  | 17  | 38   | 50   | 28.709 PA |
| Pg 11   | 8 - 10  | 8  | 22  | 19  | 43   | 50   | 28.711 PA |
| Pg 13,5 | 10 - 12 | 9  | 24  | 22  | 46,5 | 50   | 28.713 PA |
| Pg 16   | 12 - 14 | 10 | 27  | 24  | 51   | 50   | 28.716 PA |
| Pg 21   | 14 - 18 | 11 | 32  | 30  | 54,5 | 25   | 28.721 PA |
| Pg 29   | 18 - 24 | 11 | 42  | 41  | 60   | 25   | 28.729 PA |