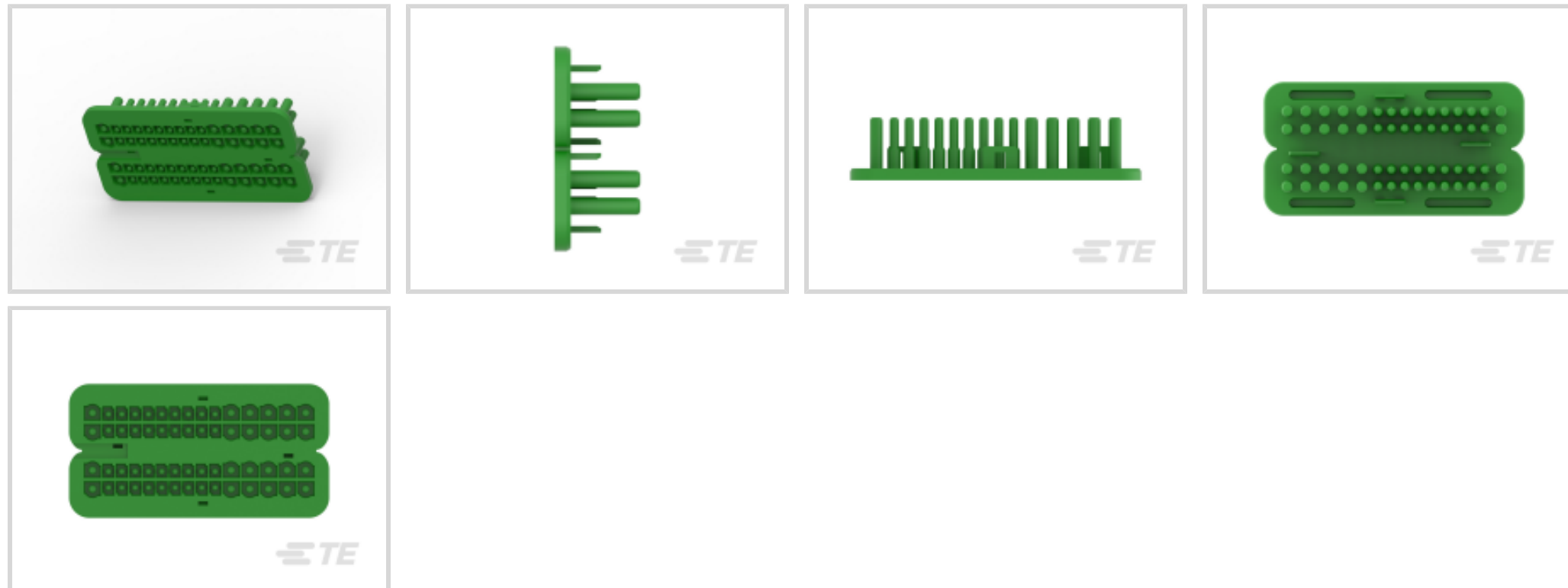




Connectors > Automotive Connectors > Connector Accessories > Other Connector Accessories



Automotive Connector Accessory Type: **Other**

Connector System: **Wire-to-Wire**

Primary Product Material: **PA GF**

Primary Product Color: **Green**

Operating Temperature Range: **-40 – 125 °C [-40 – 257 °F]**

Features

Product Type Features

Automotive Connector Accessory Type	Other
Connector System	Wire-to-Wire

Body Features

Primary Product Material	PA GF
Primary Product Color	Green

Usage Conditions

Operating Temperature Range	-40 – 125 °C[-40 – 257 °F]
-----------------------------	----------------------------

Industry Standards

UL Flammability Rating	None
------------------------	------

Packaging Features

Packaging Quantity	1500
Packaging Method	Box

Other

Serviceable	Yes
-------------	-----



Product Compliance

[For compliance documentation, visit the product page on TE.com>](#)

EU RoHS Directive 2011/65/EU	Compliant
EU ELV Directive 2000/53/EC	Compliant
China RoHS 2 Directive MIIT Order No 32, 2016	No Restricted Materials Above Threshold
EU REACH Regulation (EC) No. 1907/2006	Current ECHA Candidate List: JUNE 2022 (224) Candidate List Declared Against: JUNE 2022 (224) Does not contain REACH SVHC
Halogen Content	BFR/CFR/PVC Free, but Br/Cl >900 ppm in other sources.
Solder Process Capability	Not applicable for solder process capability

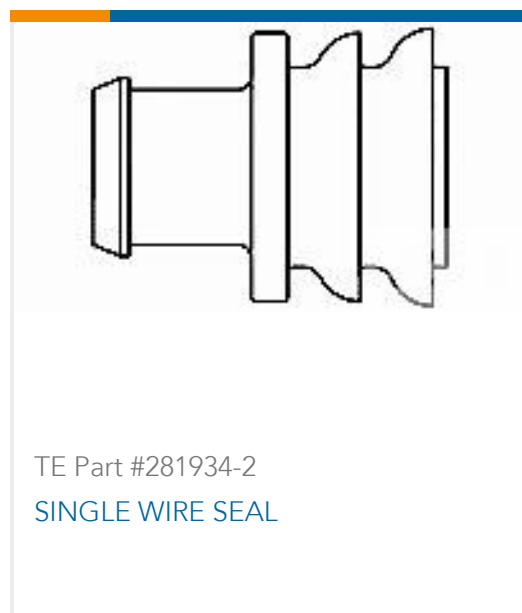
Product Compliance Disclaimer

This information is provided based on reasonable inquiry of our suppliers and represents our current actual knowledge based on the information they provided. This information is subject to change. The part numbers that TE has identified as EU RoHS compliant have a maximum concentration of 0.1% by weight in homogenous materials for lead, hexavalent chromium, mercury, PBB, PBDE, DBP, BBP, DEHP, DIBP, and 0.01% for cadmium, or qualify for an exemption to these limits as defined in the Annexes of Directive 2011/65/EU (RoHS2). Finished electrical and electronic equipment products will be CE marked as required by Directive 2011/65/EU. Components may not be CE marked. Additionally, the part numbers that TE has identified as EU ELV compliant have a maximum concentration of 0.1% by weight in homogenous materials for lead, hexavalent chromium, and mercury, and 0.01% for cadmium, or qualify for an exemption to these limits as defined in the Annexes of Directive 2000/53/EC (ELV). Regarding the REACH Regulation, the information TE provides on SVHC in articles for this part number is based on the latest European Chemicals Agency (ECHA) 'Guidance on requirements for substances in articles' posted at this URL: <https://echa.europa.eu/guidance-documents/guidance-on-reach>

Compatible Parts



Customers Also Bought



Documents

Product Drawings

MULTIPLE CAVITY PLUG 60W

English

CAD Files

3D PDF

3D

Customer View Model

[ENG_CVM_CVM_284939-4_A.2d_dxf.zip](#)

English

Customer View Model

[ENG_CVM_CVM_284939-4_A.3d_igs.zip](#)

English

Customer View Model

[ENG_CVM_CVM_284939-4_A.3d_stp.zip](#)

English

By downloading the CAD file I accept and agree to the [Terms and Conditions](#) of use.

Product Specifications

MULTIPLE CAVITY PLUG FOR 60 AND 94 POSITIONS CONNECTOR

English

Product Specification

English