

TFIS 12-240VUC 2NO SD

Weidmüller Interface GmbH & Co. KG
 Klingenbergstraße 26
 D-32758 Detmold
 Germany

www.weidmueller.com

Product image



Compact timing relays for building and factory automation

Our TFI-SERIES consists of five different devices covering the most important applications in building and factory automation. Four of these carry out individual functions: clock generator (pause and pulse start), star-delta switch, switch-on delay and off-delay with control input. There is also a multifunctional version with seven different timing functions. The timing functions and time ranges can be easily configured using a rotary switch fitted on the front. All of the devices meet the international standards according to EN 61812 and have UL approval for the North American market.

- Available in installation design and compact industrial design
- Simple configuration via setting potentiometers and status LED
- Compliance with international standards according to EN 61812
- UL approved for the North American market

General ordering data

Version	TFI-SERIES, Star-Delta Timer, Number of contacts: 2, NO contact, AgNi, Rated control voltage: 12...240 V UC -10 % / +10 %, Continuous current: 3 A, Screw connection
Order No.	2697270000
Type	TFIS 12-240VUC 2NO SD
GTIN (EAN)	4050118705270
Qty.	1 pc(s).

TFIS 12-240VUC 2NO SD
Weidmüller Interface GmbH & Co. KG

Klingenbergstraße 26

D-32758 Detmold

Germany

www.weidmueller.com

Technical data
Dimensions and weights

Depth	75 mm	Depth (inches)	2.953 inch
Height	67 mm	Height (inches)	2.638 inch
Width	225 mm	Width (inches)	8.858 inch
Net weight	81 g		

Temperatures

Storage temperature	-40 °C...70 °C	Operating temperature	-25 °C...60 °C
Humidity	5...95 % rel. humidity, no condensation		

Control side

Rated control voltage	12...240 V UC -10 % / +10 %	Power rating	500 mVA, 180 mW
Status indicator	LED green (U/t) flashes: star-relay closed, time runs, LED green (U/t) lights permanently: delta-relay closed, time runs, LED yellow (R): star-relay closed	Time ranges	0.5 s - 10 s, 1.5 s - 30 s, 3 s - 60 s, 9 s - 180 s
Setting tolerance	5 %	Max. reset time after voltage interruption	200 ms
Basic accuracy	< 1 % (of scale-end value)	Min. pulse duration	100 ms
Repeat accuracy	< 0.5 % or ±5 ms		

Load side

Rated switching voltage	250 V AC	Continuous current	3 A
Max. switching voltage, AC	250 V	Max. switching voltage, DC	30 V
Min. switching power	10 mA @ 12 V, 100 mA @ 5 V	AC switching capacity (resistive), max.	750 VA
DC switching capacity (resistive), max.	90 W	Contact type	2 NO contact (AgNi)
Electrical service life, DC coil	100x10 ³ switching cycles (3 A at 250 VAC)	Mechanical service life	20 x 10 ⁶ switching cycles

General data

Suitable for front mounting	No	Rail	TS 35
Test button available	No	Mechanical switch position indicator	No
Colour	black	UL 94 flammability rating	V-0
Resistance to vibration EN 61812-1	10 Hz...60 Hz: 0.15 mm, 60 Hz...150 Hz: 2 g		

Insulation coordination

Rated voltage	300 V	Pollution severity	2
Surge voltage category	III	Clearance and creepage distances for control side - load side	≥ 3 mm
Dielectric strength for control side - load side	1.6 kV	Impulse withstand voltage	4 kV
Protection degree	IP20		

Further details of approvals / standards

Certificate no. (cULus)	E360862
-------------------------	---------

Creation date April 20, 2022 2:51:32 PM CEST

Catalogue status 08.04.2022 / We reserve the right to make technical changes.

2

TFIS 12-240VUC 2NO SD

Weidmüller Interface GmbH & Co. KG

Klingenbergstraße 26

D-32758 Detmold

Germany

www.weidmueller.com

Technical data

Connection data

Wire connection method	Screw connection	Stripping length, rated connection	8 mm
Tightening torque, max.	1 Nm	Clamping range, rated connection	2.5 mm ²
Clamping range, min.	0.5 mm ²	Clamping range, max.	4 mm ²
Wire connection cross section AWG, min.	AWG 20	Wire connection cross section AWG, max.	AWG 12
Wire cross-section, solid, min.	0.5 mm ²	Wire cross-section, solid, max.	4 mm ²
Wire connection cross section, finely stranded, min.	0.5 mm ²	Wire connection cross section, finely stranded, max.	4 mm ²
Wire connection cross-section, finely stranded with wire-end ferrules DIN 46228/4, min.	0.5 mm ²	Wire connection cross-section, finely stranded with wire-end ferrules DIN 46228/4, max.	2.5 mm ²
Conductor cross-section, flexible, AEH (DIN 46228-1), min.	0.5 mm ²	Conductor cross-section, flexible, AEH (DIN 46228-1), max.	2.5 mm ²
Wire connection cross section, finely stranded, two clampable wires, min.	0.5 mm ²	Wire cross-section, finely stranded, two clampable wires, max.	2.5 mm ²
Blade size	size PH1		

Classifications

ETIM 6.0	EC001439	ETIM 7.0	EC001439
ETIM 8.0	EC001439	ECLASS 9.0	27-37-16-05
ECLASS 9.1	27-37-16-05	ECLASS 10.0	27-37-16-05
ECLASS 11.0	27-37-16-05		

Approvals

Approvals



ROHS	Conform
UL File Number Search	E360862

Downloads

Approval/Certificate/Document of Conformity	EU Konformitätserklärung / EU Declaration of Conformity
Engineering Data	CAD data – STEP
User Documentation	Beschreibung der Zeitfunktionen - Deutsch Declaration of timing functions - English Beipackzettel / Package Insert – multilingual
Catalogues	Catalogues in PDF-format

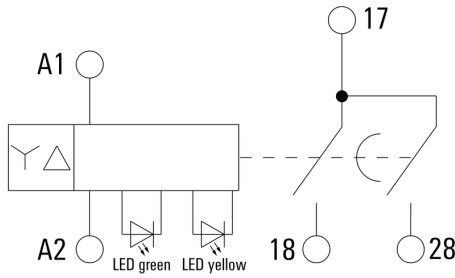
TFIS 12-240VUC 2NO SD

Weidmüller Interface GmbH & Co. KG
 Klingenbergstraße 26
 D-32758 Detmold
 Germany

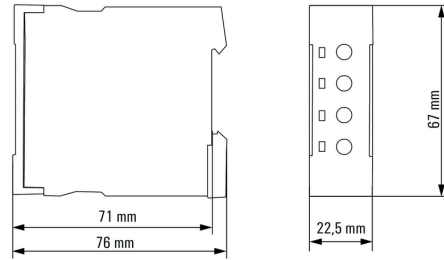
www.weidmueller.com

Drawings

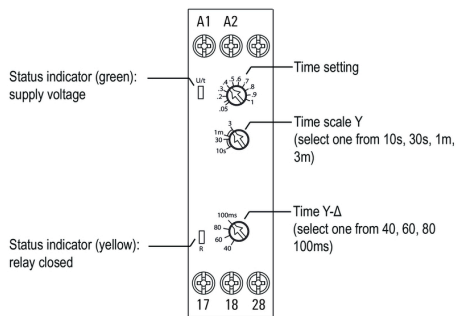
Wiring diagram



Dimensional drawing



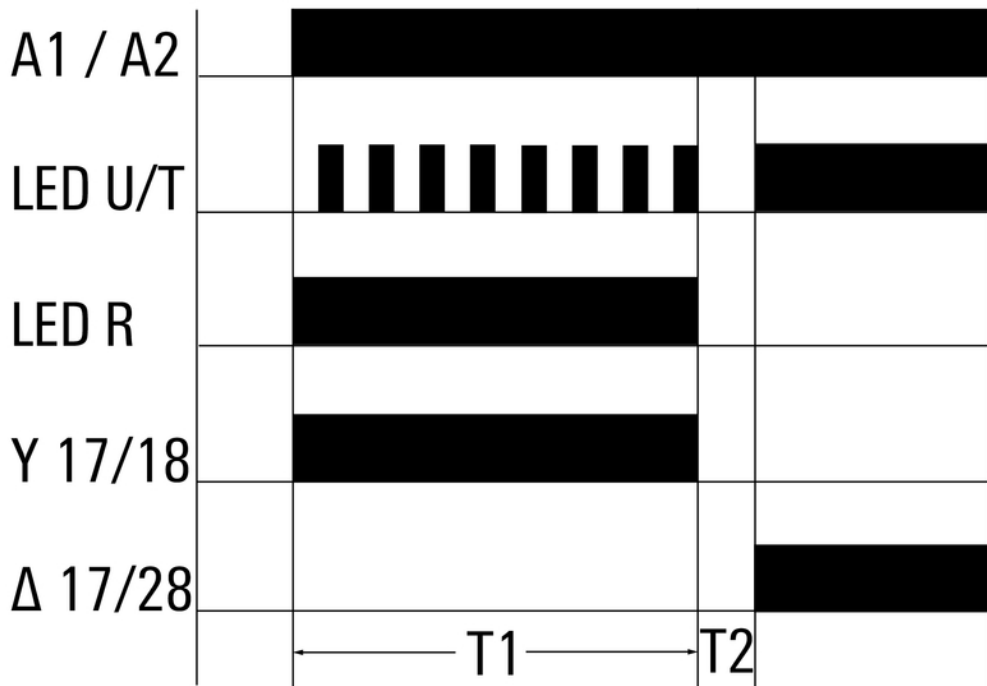
Miscellaneous



Detailed drawing

Graph

S star-delta

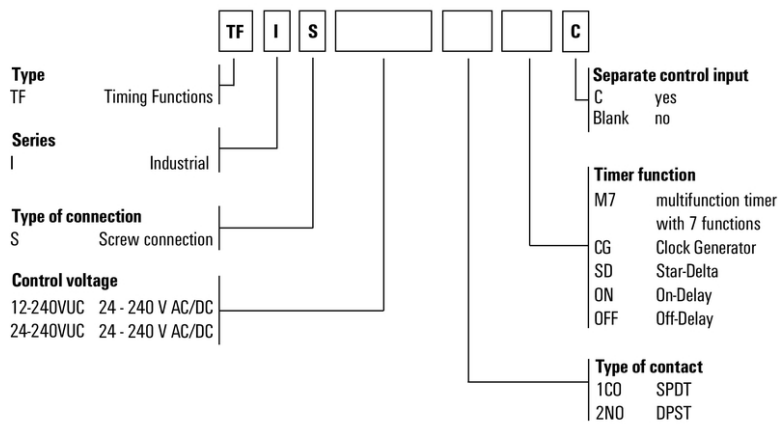


Time functions

TFIS 12-240VUC 2NO SD

Weidmüller Interface GmbH & Co. KG
 Klingenbergstraße 26
 D-32758 Detmold
 Germany
 www.weidmueller.com

Type codes



Miscellaneous

Creation date April 20, 2022 2:51:33 PM CEST