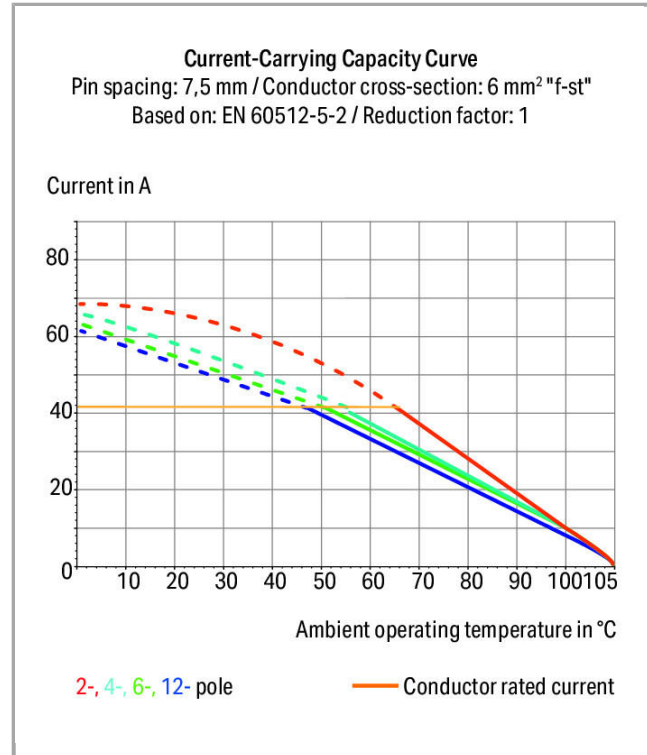


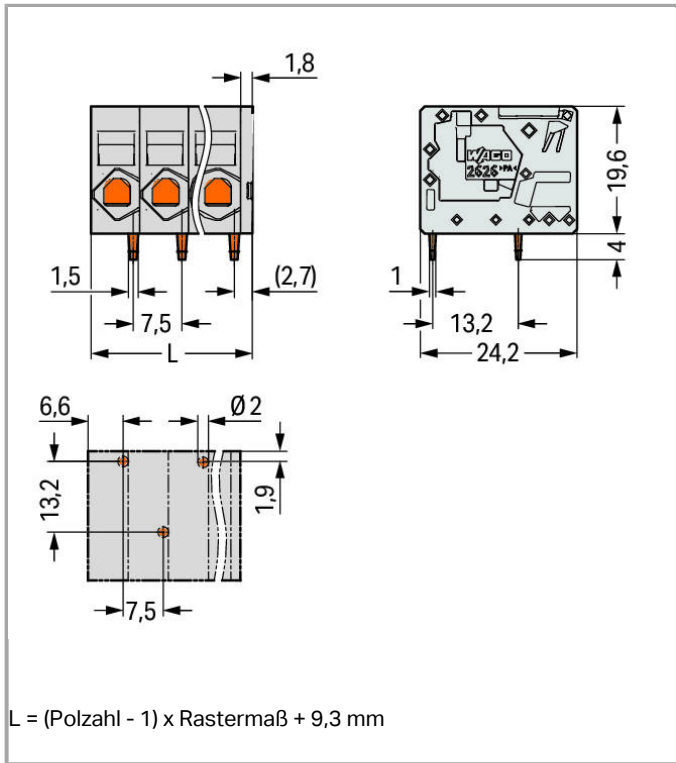
Data sheet | Item number: 2626-1104/020-000

PCB terminal block; 6 mm²; Pin spacing 7.5 mm; 4-pole; Push-in CAGE CLAMP®



www.wago.com/2626-1104/020-000





Item description

- PCB terminal blocks with Push-in CAGE CLAMP® connection
- Push-in termination of solid and ferruled conductors
- Ideal for panel feedthrough applications via operation parallel to conductor entry
- Testing can be performed both parallel and perpendicular to conductor entry

Data

Electrical data

Ratings per IEC/EN 60664-1

| | |
|---------------------------------|--------|
| Rated voltage (III / 3) | 800 V |
| Rated impulse voltage (III / 3) | 8 kV |
| Rated voltage (III / 2) | 1000 V |
| Rated impulse voltage (III / 2) | 8 kV |
| Rated voltage (II / 2) | 1000 V |
| Rated impulse voltage (II / 2) | 8 kV |
| Rated current | 48 A |

Approvals per UL 1059

| | |
|--------------------------------|-------|
| Rated voltage UL (Use Group B) | 600 V |
|--------------------------------|-------|



| | |
|--------------------------------|-------|
| Rated current UL (Use Group B) | 38 A |
| Rated voltage UL (Use Group C) | 600 V |
| Rated current UL (Use Group C) | 38 A |

Connection data

| | |
|---|---|
| Connection technology | Push-in CAGE CLAMP® |
| Actuation type | Operating tool |
| Solid conductor | 0.2 ... 10 mm ² / 24 ... 8 AWG |
| Fine-stranded conductor | 0.2 ... 10 mm ² / 24 ... 8 AWG |
| Fine-stranded conductor with ferrule with plastic collar | 0.25 ... 6 mm ² |
| Fine-stranded conductor with ferrule without plastic collar | 0.25 ... 6 mm ² |
| Fine-stranded conductor, with twin ferrule | 0.25 ... 2.5 mm ² |
| Strip length | 13 ... 15 mm / 0.51 ... 0.59 inch |
| Conductor entry angle to the PCB | 0° |
| No. of poles | 4 |
| Total number of connection points | 4 |
| Total number of potentials | 4 |
| Number of connection types | 1 |
| Number of levels | 1 |

Geometrical Data

| | |
|-----------------------------------|------------------------------|
| Pin spacing | 7.5 mm / 0.295 inch |
| Width | 31.8 mm / 1.252 inch |
| Height | 23.6 mm / 0.929 inch |
| Height from the surface | 19.6 mm / 0.772 inch |
| Depth | 24.2 mm / 0.953 inch |
| Solder pin length | 4 mm |
| Solder pin dimensions | 1.5 x 1 mm |
| Drilled hole diameter (tolerance) | 2 ^(- ... +0.1) mm |

Mechanical data

| | |
|------------------|-----------------------|
| Type of mounting | Feed-through mounting |
|------------------|-----------------------|

PCB contact

| | |
|-------------------------------------|---|
| PCB contact | THT |
| Solder pin arrangement | over the entire terminal strip, staggered |
| Number of solder pins per potential | 1 |

Material Data

| | |
|-----------------------------|--|
| Color | gray |
| Material group | I |
| Insulating material | Polyamide 66 (PA 66) |
| Flammability class per UL94 | V0 |
| Clamping spring material | Chrome nickel spring steel (CrNi) |
| Contact material | Electrolytic copper (E _{Cu}) |
| Contact plating | tin-plated |
| Fire load | 0MJ |
| Weight | 15.936 g |

Environmental Requirements



| | |
|-------------------------|-----------------|
| Limit temperature range | -60 ... +105 °C |
|-------------------------|-----------------|

Commercial data


| | |
|-------------------|---------------|
| Country of origin | DE |
| GTIN | 4055143587105 |

Approvals / Certificates

Country specific Approvals

| Logo | Approval | Additional Approval Text | Certificate name |
|--|--|--------------------------|------------------|
| | CB DEKRA Certification B.V. | IEC 60947-7-4 | NL 49487 /M1 |
|  | CSA DEKRA Certification B.V. | C22.2 No. 158 | 70146882 |
|  | KEMA/KEUR DEKRA Certification B.V. | EN 60947-7-4 | 71-103042 |

UL-Approvals

| Logo | Approval | Additional Approval Text | Certificate name |
|--|--|--------------------------|------------------|
|  | cULus Underwriters Laboratories Inc. | UL 1059 | E45172 Sec. 72 |



Subject to changes.

WAGO Kontakttechnik GmbH & Co. KG
Hansastr. 27
32423 Minden
Phone: +49571 887-0 | Fax: +49571 887-169
Email: info.de@wago.com | Web: www.wago.com

Do you have any questions about our products?
We are always happy to take your call at {0}.