

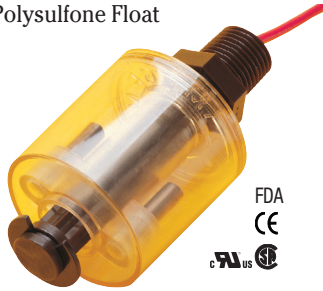
## Small Size – Engineered Plastics

### LS-3 Series – Offers High Reliability, Compact Size and Low Costs in NPT, Straight and Metric Threads

Ideal for shallow tanks or restricted spaces, or for any low-cost, high volume use. LS-3 Series are available in FDA compliant materials, consult GEMS for details.

LEVEL SWITCHES – SINGLE POINT

Polysulfone Float



FDA  
CE  
cRU US

For water based liquids, with limited use in oils and chemicals.

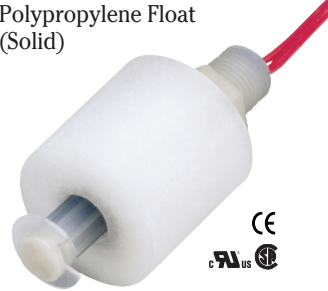
Polypropylene Float (Hollow)



CE  
cRU US

Features a low specific gravity float offering broad chemical compatibility.

Polypropylene Float (Solid)



CE  
cRU US

With Polypropylene stem and float, switch offers broad chemical compatibility.

Buna N Float



CE  
cRU US

Ideal for oils and fuels.

ALL-PVDF



cRU US  
CE  
FDA

Wetted materials of construction comply with FDA food contact regulations.

Stem and float of corrosion-resistant PVDF for ultra-pure applications.

New 3/4" Polypropylene Float



cRU US  
CE

See next page for details.



RoHS Compliant:

All LS-3 Series level switches featured on this page and the next are in compliance with EU-directive 2011/65/EC.

### Common Specifications

**Approvals:** U.L. Recognized – File No. E45168; CSA Listed – File No. 30200. CE Declaration Available Upon Request.

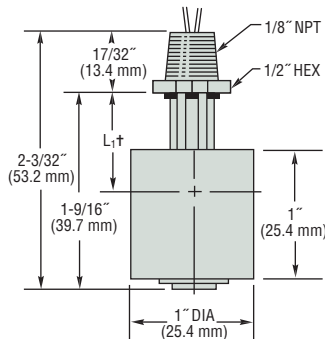
NSF materials are NSF 169 Standard compliant. For NSF approved level switches contact Gems.

RoHS – In compliance with EU-directive 2011/65/EC requirements for chemicals and substances.

**Switch SPST:** 20 VA, 120-240 VAC. Units are shipped N.O. unless otherwise specified. Selectable, N.O. or N.C., by inverting float on unit stem.

**For LS-3 Micro:** 20 VA, 140 VAC/200 VDC

### Dimensions – 1" Float Models only



† L<sub>1</sub> = Actuation Level (see chart on next page)

Electrical Termination	Alternate Mountings		
	3/8"-16 Straight Thread	G1/8" 1/8"-28 BSP	M12x 1.75 Straight Thread
Lead Wires			
Cable			
Cable			

**How To Order – Select Part Number based on specifications required.**

Stem and Mounting Material	Float Material	Float Dia.	Actuation Level <sup>1</sup>	Min. Liquid Sp. Gravity	Pressure Max. @ 70°F (21°C)	Operating Temperature	Mounting Type	Electrical Termination	Part Number
Polysulfone	Polysulfone	1"	3/4" (19.0 mm)	.75	50 psi (3 bar)	-40°F to +225°F (-40°C to +107°C)	1/8" NPT	Lead Wires	<b>42295</b> ⚡
Polypropylene <sup>2</sup>	Polypropylene (Hollow)	1"	13/16" (20.6 mm)	.60	50 psi (3 bar)	-40°F to +225°F (-40°C to +107°C)	1/8" NPT	Lead Wires	<b>142505</b> ⚡
							3/8"-16	Lead Wires	<b>171517</b> ⚡
							G 1/8"-28	Cable	<b>171518</b>
Polypropylene <sup>3</sup> NSF Std. 169 (Kynar float retaining clip)	Polypropylene <sup>3</sup> (Hollow) NSF Std. 169	1"	13/16" (20.6 mm)	.60	50 psi (3 bar)	-40°F to +225°F (-40°C to +107°C)	M12x1.75	Cable	<b>189739</b>
							1/8" NPT	Lead Wires	<b>209475</b>
							3/8"-16	Lead Wires	<b>209455</b>
Polypropylene <sup>2</sup>	Polypropylene (Solid)	1"	9/16" (14.3 mm)	.90	150 psi (10 bar) @ 68°F (20°C)	-40°F to +150°F (-40°C to +66°C)	1/8" NPT	Lead Wires	<b>209460</b>
							3/8"-16	Lead Wires	<b>209465</b>
							M12x1.75	Cable	<b>116826</b> ⚡
Nylon	Buna	1"	13/16" (20.6 mm)	.45	150 psi (10 bar)	-40°F to +176°F (-40°C to +80°C)	1/8" NPT	Lead Wires	<b>189787</b>
							M12x1.75	Cable	<b>162745</b> ⚡
PVDF	PVDF	1"	1/2" (12.7 mm)	.86	50 psi (3 bar)	-40°F to +250°F (-40°C to +121°C)	1/8" NPT	Teflon Jacketed Lead Wires	<b>189786</b>
									<b>173250</b> ⚡

**Notes:**

- Based on a liquid specific gravity of 1.0.
- All Polypropylene units carry a Kynar<sup>®</sup> retaining clip. Accessories Available in OEM Quantities: Jam Nut, Gaskets, and Slosh Shields.
- NSF 169 Approved unit, for water use only.

⚡ – Stock Items.

**LEVEL SWITCHES – SINGLE POINT**

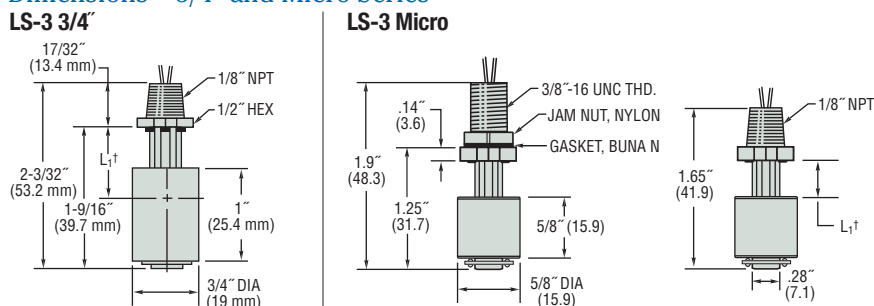
## Miniature and Micro Floats for Tiny Tanks

### Our smallest LS-3 Series switches yet!

Small yes, but with BIG performance. No other miniature float switches match our LS-3 specs. These units are ideal for potable water, medical devices and other compact appliances, such as printers. Gems proprietary float enables use in lighter-than-water fluids. Switches are made from FDA compliant materials.



#### Dimensions – 3/4" and Micro Series



† L<sub>1</sub> = Actuation Level (see chart below)

Series	Stem and Mounting Material	Float Material	Actuation Level <sup>1</sup>	Min. Liquid Sp. Gravity	Pressure Max. @ 70°F (21°C)	Operating Temperature	Electrical Termination	Mounting Type	Switch Logic	Part Number
<b>LS-3 3/4"</b> <sup>2</sup>	Polypropylene <sup>2</sup>	Polypropylene (Hollow)	7/16" (11.1 mm)	.95	Atmospheric	-40°F to +212°F (-40°C to +100°C)	Lead Wires or Cable	1/8" NPT	N.C./N.O.	<b>201540</b>
	Nylon	Buna	11/16" (17.5 mm)	.85	150 psi (10.3 bar)	-40°F to +250°F (oil) (-40°C to +121°C [oil])	Lead Wire		Reverse Float Position	<b>177818</b>
<b>LS-3 Micro</b>	Polypropylene	Polypropylene (Hollow)	3/8" (9.5 mm)	.95	50 psi (3 bar)	-40°F to +176°F (-40°C to +80°C)	PVC Jacketed Lead Wires 24"-26"	1/8" NPT	N.O.	<b>247135</b>
									N.C.	<b>247137</b>
								3/8"-16	N.O.	<b>246985</b>
								Straight	N.C.	<b>246986</b>

**Notes:**

- Based on a liquid specific gravity of 1.0.
- Utilizes a Kynar<sup>®</sup> retaining clip.

## Unique Features Make These LS-3 Models Special

These small switches feature unique configurations for special applications.

LEVEL SWITCHES – SINGLE POINT

Part No. 142545  
With Slosh Shield



Cut-away version shown

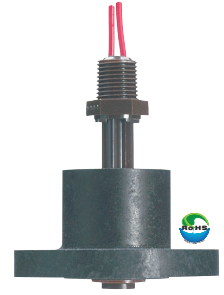
Compact, all-polypropylene switch with slosh shield is ideal for use with turbulent liquids in small tanks. FDA compliant materials.

Part No. 46999  
Bottle Level

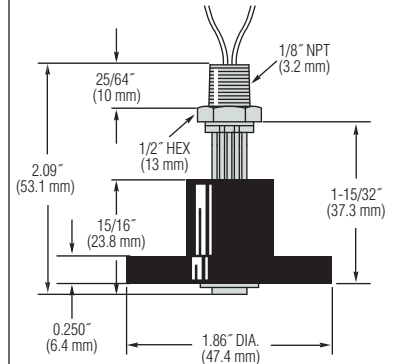
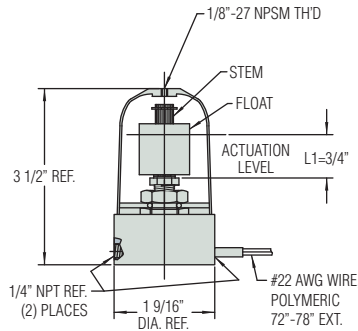
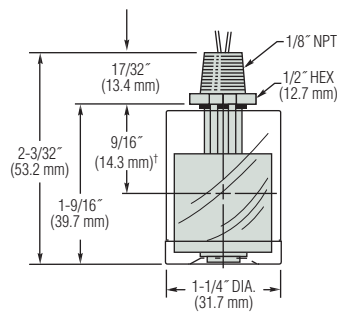


For external mounting on tanks too small to accommodate internally mounted switches. (See note below)

Part No. 76707  
For Low Level



For detecting levels as low as 5/8" from tank bottom. Use in water, some oils and chemicals.



Order By Part Number	142545 ⚡	46999 ⚡	76707 ⚡
<b>Materials</b>			
<b>Stem and Mounting</b>	All Polypropylene (Including Shield <sup>4</sup> )	Polysulfone	All Polysulfone (Including Collar)
<b>Float</b>	Polypropylene (Solid)	Polysulfone	Buna N
<b>Other Wetted</b>	—	Brass, Aluminum, Polycarbonate, Viton A	Epoxy
<b>Min. Liquid Sp. Gr.</b>	.90	.75	—
<b>Operating Temperature</b>	-40°F to +150°F (-40°C to +65.6°C)	-40°F to +120°F (-40°C to +48.9°C)	-40°F to +180°F (-40°C to +82.2°C)
<b>Pressure, PSI, Max.<sup>3</sup></b>	150	50	
<b>Switch<sup>1</sup>, SPST</b>	20 VA, N.C./N.O. Dry <sup>2</sup>	20 VA, N.C. Dry	
<b>Electrical Termination</b>	No. 22 AWG, 22" L., PVC Lead Wires	No. 22 AWG, 72" L., Polymeric Lead Wires	No. 22 AWG, 72" L., PVC Lead Wires

Notes:

- See "Electrical Data" on Page X-5 for more information.
- Switch operation is selectable, N.O. or N.C., by inverting the float on the unit stem.
- Maximum pressure at 70°F (21°C).
- Consult factory for other available materials.

† L<sub>1</sub> = Switch actuation level, nominal (based on a specific gravity of 1.0).

Note: LS-3 Series Bottle Level Switch is also available with any of the float materials shown on opposite page. Contact GEMS for correct part number.

⚡ – Stock Items.