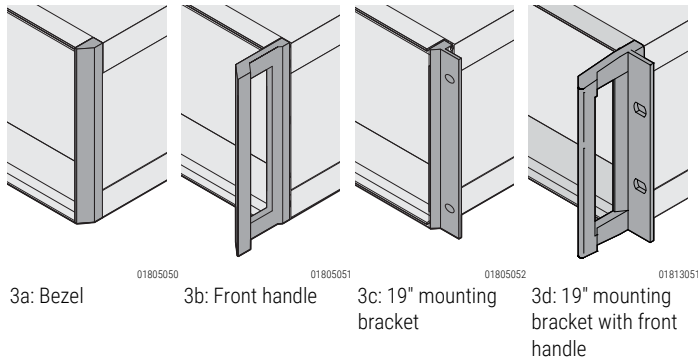


Desk-top cases – RatiopacPro

RATIOPACPRO CASE



- Cases for individual assembly with 19" standard components or specific internal mounting, e.g. with mounting plate
- Unshielded (EMC shielding retrofittable)
- Symmetrical design, identical front and rear side
- Four versions:
 - Bezels
 - Front handles
 - 19" mounting brackets
 - 19" mounting brackets with front handles
- For board depth 160 mm, 220 mm, 280 mm, and 340 mm (depending on case depth)

DELIVERY COMPRISES (kit)

Item	Qty	Description
1	2	Side panel, Al, 2 mm, chromated
2	2	Side plate, Al, 1 mm, visible surfaces powder-coated, RAL 9006
3	2	Rear trim, Al die-cast, powder-coated, RAL 7016
3a	2	Bezel, Al die-cast, powder-coated, RAL 7016
3b	2	Front handle, Al die-cast, powder-coated, RAL 7016
3c	2	19" mounting bracket, Al diecast, powder-coated, RAL 7016
3d	2	19" mounting bracket with front handle, Al diecast, powder-coated, RAL 7016
4	4	Horizontal rail, type H-LD, Al, visible surfaces powder-coated, RAL 7016
11	2	Top cover and base plate, Al, 1 mm, inner sides conductive, visible surfaces powder-coated, RAL 9006, with GND/earthing connections, base plate with honeycomb grid ventilation
12	4	Case foot with anti-slip protection, UL 94 V-0, PC black
13	1	Fixing materials kit

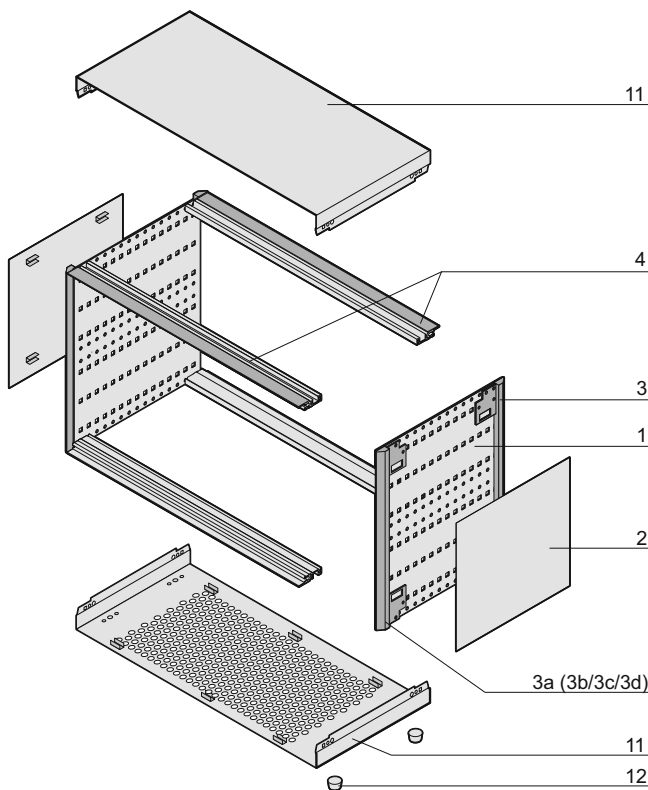
3a, 3b, 3c or 3d according to selection

NOTE

- Order information, see following page

ORDER INFORMATION

Earthing kit CU wire, 1.5 mm ² , PVC sleeve, green/yellow, 1 kit	24571-380
Al diecast foot with tip-up silver, 1 piece (SPQ 10)	10603-002
Plastic tip-up foot silver, similar to RAL 9006, PU 4 pieces	20603-001
Plastic tip-up foot anthracite, similar to RAL 7016, 4 pieces	20603-002
Stacking aid silver, similar to RAL 9006, PA, UL 94 V-0, PU 4 pieces	20603-004
Stacking aid anthracite, similar to RAL 7016, PA, UL 94 V-0, PU 4 pieces	20603-003

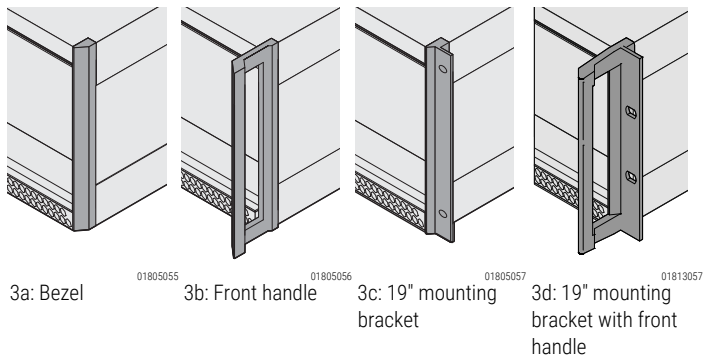
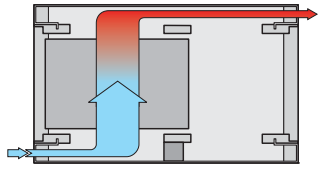


Drawing with front cover strip

01813065

Desk-top cases – RatiopacProair

RATIOPACPRO AIR CASE



- The case has 2 x 1/2 U clearances for ventilation beneath and above the board cage
- Cases for individual assembly with 19" standard components or specific internal mounting, e.g. with mounting plate
- Unshielded (EMC shielding retrofittable)
- Symmetrical design, identical front and rear side
- For board depth 160 mm, 220 mm, 280 mm, and 340 mm (depending on case depth)
- Online download of 3D CAD data
- Four versions:
 - Bezels
 - Front handles
 - 19" mounting brackets
 - With 19" mounting brackets and front handles

DELIVERY COMPRISES (in kit form)

Item	Qty	Description
1	2	Side panel, Al, 2 mm, chromated
2	2	Side plate, Al, 1 mm, visible surfaces powder-coated, RAL 9006
3	2	Rear trim, Al die-cast, powder-coated, RAL 7016
3a	2	Bezel, Al die-cast, powder-coated, RAL 7016
3b	2	Front handle, Al die-cast, powder-coated, RAL 7016
3c	2	19" mounting angle, Al die-cast, powder-coated, RAL 7016
3d	2	19" mounting bracket with front handle, Al diecast, powder-coated, RAL 7016
4	4	Horizontal rail, type H-LD, Al, visible surfaces powder-coated, RAL 7016
11	2	1 Top cover and base plate, Al, 1 mm, internal surfaces conductive, visible surfaces powder-coated, RAL 9006, with GND/earthing connection, top cover and base plate with ventilation comb
12	4	Case foot with anti-slip protection, UL 94 V-0, PC black
13	2	Air filters
14	1	Fixing materials kit

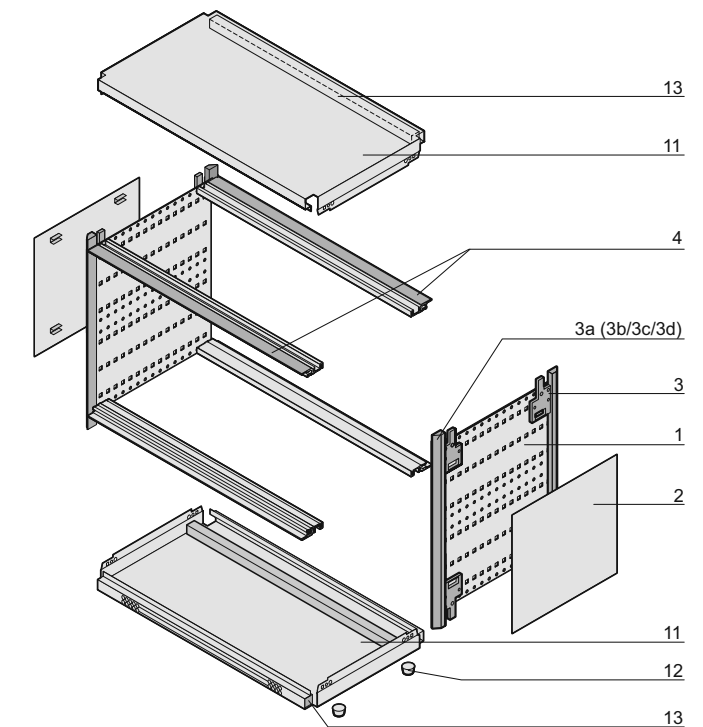
3a, 3b, 3c or 3d according to selection

NOTE

- Order information see following page

ORDER INFORMATION

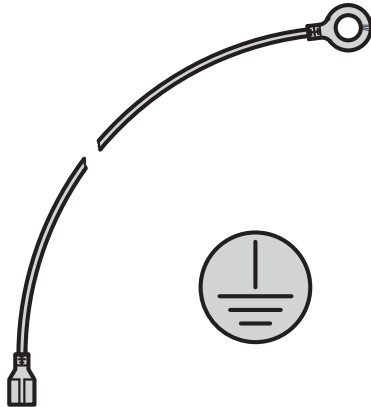
Earthing kit CU wire, 1.5 mm ² , PVC sleeve, green/yellow, 1 kit	24571-380
Al diecast foot with tip-up silver, 1 piece (SPQ 10)	10603-002
Plastic tip-up foot silver, similar to RAL 9006, PU 4 pieces	20603-001
Plastic tip-up foot anthracite, similar to RAL 7016, 4 pieces	20603-002
Stacking aid silver, similar to RAL 9006, PA, UL 94 V-0, PU 4 pieces	20603-004
Stacking aid anthracite, similar to RAL 7016, PA, UL 94 V-0, PU 4 pieces	20603-003



Drawing with front cover strip

Desk-top cases – RatiopacPro/ -air

EARTHING KIT



aza43284

- Forms the GND/earthing connections between side panels, base plate, top cover and rear panel
- Protective GND/earthing connections in accordance with:
 - DIN EN 50178/VDE 0160
 - DIN EN 60950/VDE 0805
 - DIN EN 61010-1/VDE 0411 part 1
 - DIN EN 61010-1A2/VDE 0411 part 1/A1
- VDE tested

ORDER INFORMATION

Description	Part no.
GND/earthing kit, Cu wire 1.5 mm ² , PVC sleeve, green/yellow	24571-380