

LED Perm./Blinking Beacon RGB EMDC MC



Part No.:	240.110.50
Series:	240



MECHANICAL DATA

Height	71mm
Diameter	55mm
Materials	PC PC/ABS
Cap colour	Clear
Housing colour	Black
Protection category	IP65
Connection	Cable
Tension relief	Pull-out protection
Type of fixing	Built-in mounting
Service life optical	50,000 h maximum
Working temperature minimum	-20°C
Working temperature maximum	+50°C

ELECTRICAL DATA

Operating Voltage	10-30V
Operating Voltage type	DC
Rated operating current	60mA
Rated inrush current	<700mA
Operating voltage tolerance	+/-0%

OPTICAL DATA

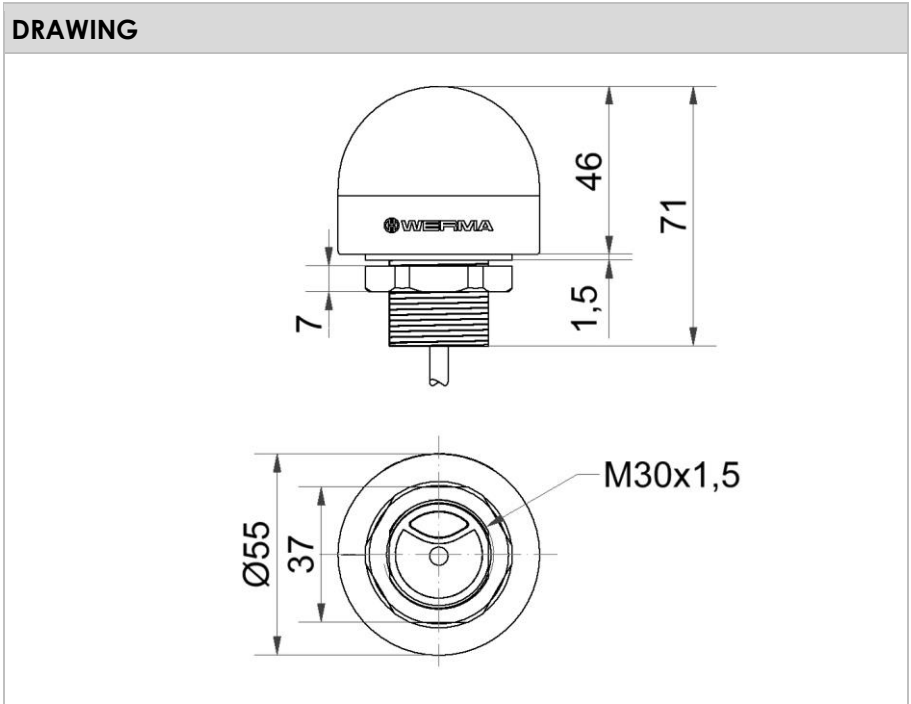
Light source	LED
Light colour	Multicolour
Optical signal image	Blink Permanent
Blink frequency	1,00Hz



For additional installation and mounting information, refer to the appropriate user guide at www.werma.com. This printed copy is for information only and is subject to alteration.

LED Perm./Blinking Beacon RGB EMDC MC

OTHER SPECIFICATIONS	
Note	All specifications refer to Unom and room temperature. The advice contained in the installation instruction is to be observed.
Regulations	Conforms to current EU Directives.



For additional installation and mounting information, refer to the appropriate user guide at www.werma.com. This printed copy is for information only and is subject to alteration.