



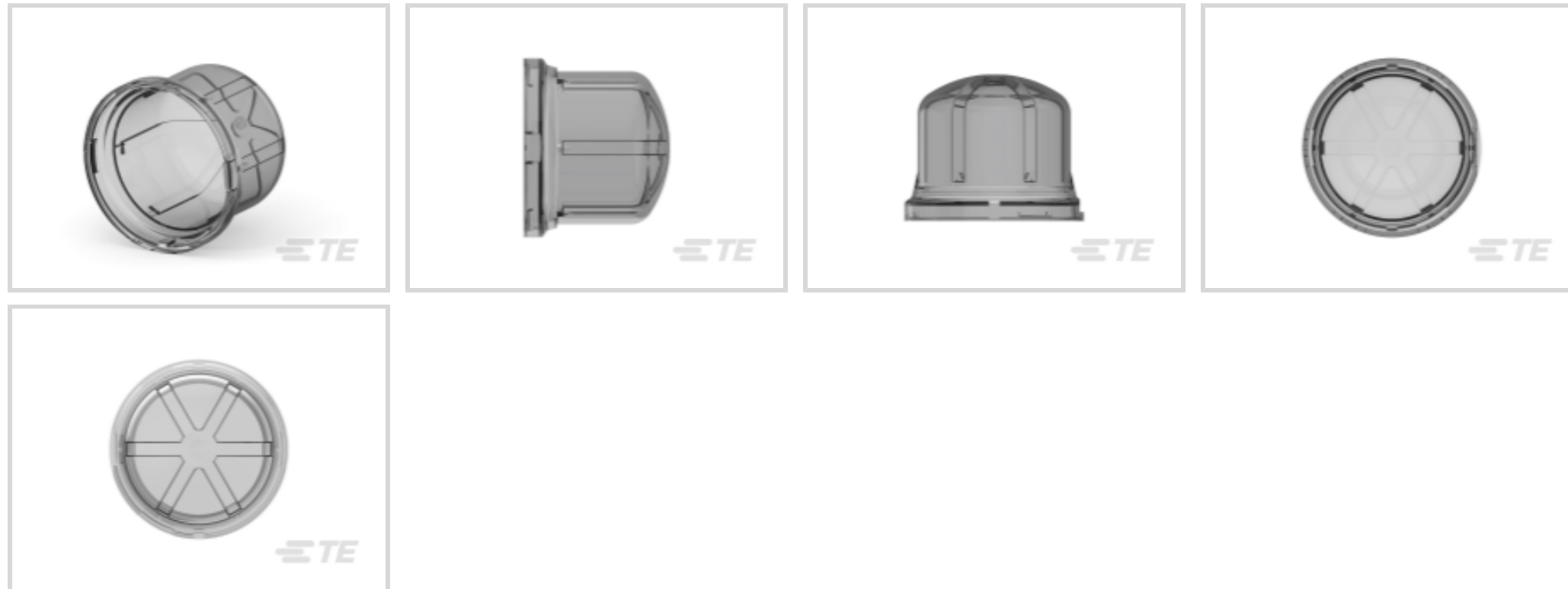
LUMAWISE | LUMAWISE Endurance S

TE Internal #: 2329013-2

Zhaga Book 18 Street Lighting Connectors, Connector, Gray,
 Height 39.25 mm, Not Vented / Keyed, Zhaga, 1 Position, Sealable,
 LUMAWISE Endurance S

[View on TE.com >](#)

Connectors > Lighting Connectors > Street Lighting Controls > Zhaga Book 18 Street Lighting Connectors > LUMAWISE Endurance S Domes



Lighting Product Type: **Connector**

Housing Color: **Gray**

Product Height: **39.25 mm**

Lighting Connector Features Included: **Keyed, Not Vented**

Agency/Standard: **Zhaga**

[All LUMAWISE Endurance S Domes \(13\)](#)

Features

Product Type Features

Lighting Product Type	Connector
Sealable	Yes

Configuration Features

Lighting Connector Features Included	Keyed, Not Vented
Number of Positions	1

Housing Features

Housing Color	Gray
---------------	------

Dimensions

Product Diameter	40 mm
Product Height	39.25 mm

Usage Conditions

IP Water Sealing Level	6
------------------------	---



IP Dust Sealing Level	6
Operating Temperature Range	-40 – 90 °C

Industry Standards

Agency/Standard	Zhaga
-----------------	-------

Product Compliance

[For compliance documentation, visit the product page on TE.com>](#)

EU RoHS Directive 2011/65/EU	Compliant
EU ELV Directive 2000/53/EC	Compliant
China RoHS 2 Directive MIIT Order No 32, 2016	No Restricted Materials Above Threshold
EU REACH Regulation (EC) No. 1907/2006	Current ECHA Candidate List: JAN 2022 (223) Candidate List Declared Against: JAN 2022 (223) Does not contain REACH SVHC
Halogen Content	Low Halogen - Br, Cl, F, I < 900 ppm per homogenous material. Also BFR/CFR/PVC Free
Solder Process Capability	Not reviewed for solder process capability

Product Compliance Disclaimer

This information is provided based on reasonable inquiry of our suppliers and represents our current actual knowledge based on the information they provided. This information is subject to change. The part numbers that TE has identified as EU RoHS compliant have a maximum concentration of 0.1% by weight in homogenous materials for lead, hexavalent chromium, mercury, PBB, PBDE, DBP, BBP, DEHP, DIBP, and 0.01% for cadmium, or qualify for an exemption to these limits as defined in the Annexes of Directive 2011/65/EU (RoHS2). Finished electrical and electronic equipment products will be CE marked as required by Directive 2011/65/EU. Components may not be CE marked. Additionally, the part numbers that TE has identified as EU ELV compliant have a maximum concentration of 0.1% by weight in homogenous materials for lead, hexavalent chromium, and mercury, and 0.01% for cadmium, or qualify for an exemption to these limits as defined in the Annexes of Directive 2000/53/EC (ELV). Regarding the REACH Regulation, the information TE provides on SVHC in articles for this part number is based on the latest European Chemicals Agency (ECHA) 'Guidance on requirements for substances in articles' posted at this URL: <https://echa.europa.eu/guidance-documents/guidance-on-reach>

Compatible Parts



Also in the Series | LUMAWISE Endurance S



Poke-In Connectors(1)

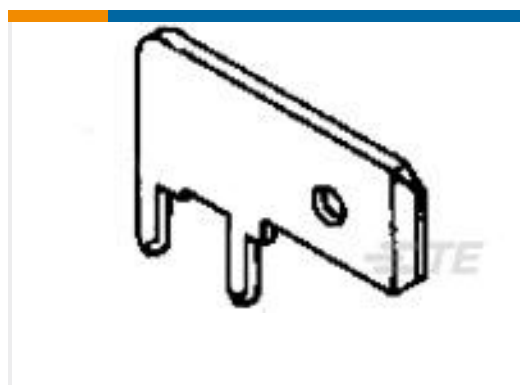


Zhaga Book 18 Street Lighting Connectors(32)

Customers Also Bought



TE Part #2328823-1
LUMAWISE S 80MM DIA DOME
SMOKE GRAY LOW



TE Part #928814-1
250 FASTON TAB TPBR



TE Part #2-2013310-1
EMBOSS TAPE DDR3 204P 9.2H STD



TE Part #2213858-1
RECEPTACLE ASSEM., LUMAWISE
ENDURANCE S



TE Part #1-2328823-3
LUMAWISE S 80MM DIA DOME
CLEAR TALL



TE Part #1-2337216-1
RAIN-SKIRT, LUMAWISE
ENDURANCE S, BLACK



TE Part #2341474-1
SEALING CAP, RCPT, LUMAWISE
ENDURANCE S



TE Part #1462037-1
IM01GR=IM Relay 140 mW 3 V



TE Part #4-1393240-5
RT334012

Documents

Product Drawings

LUMAWISE 40MM DIA DOME SMOKE GRAY TALL

English

CAD Files

3D PDF

3D



Customer View Model

[ENG_CVM_CVM_2329013-2_C.2d_dxf.zip](#)

English

Customer View Model

[ENG_CVM_CVM_2329013-2_C.3d_igs.zip](#)

English

Customer View Model

[ENG_CVM_CVM_2329013-2_C.3d_stp.zip](#)

English

By downloading the CAD file I accept and agree to the [Terms and Conditions](#) of use.

Datasheets & Catalog Pages

[LUMAWISE ENDURANCE Connector System](#)

English

[LUMAWISE STREET LIGHT DIMMING AND CONTROL QUICK REFERENCE GUIDE](#)

English

[Lumawise Endurance S Modules](#)

English

Product Specifications

[Application Specification](#)

English

Agency Approvals

[UL_EU_CERT_EN_61984_UL_EU_01778_M1_C1](#)

English

[CB_CERT_US_34131_M1_UL_4788988643_TR_C1](#)

English

[CB_CERT_IEC_61984_US_34131_M1_UL_C1](#)

English