

229974-4 ✓ ACTIVE

## CHAMP | CHAMP Docking Connectors

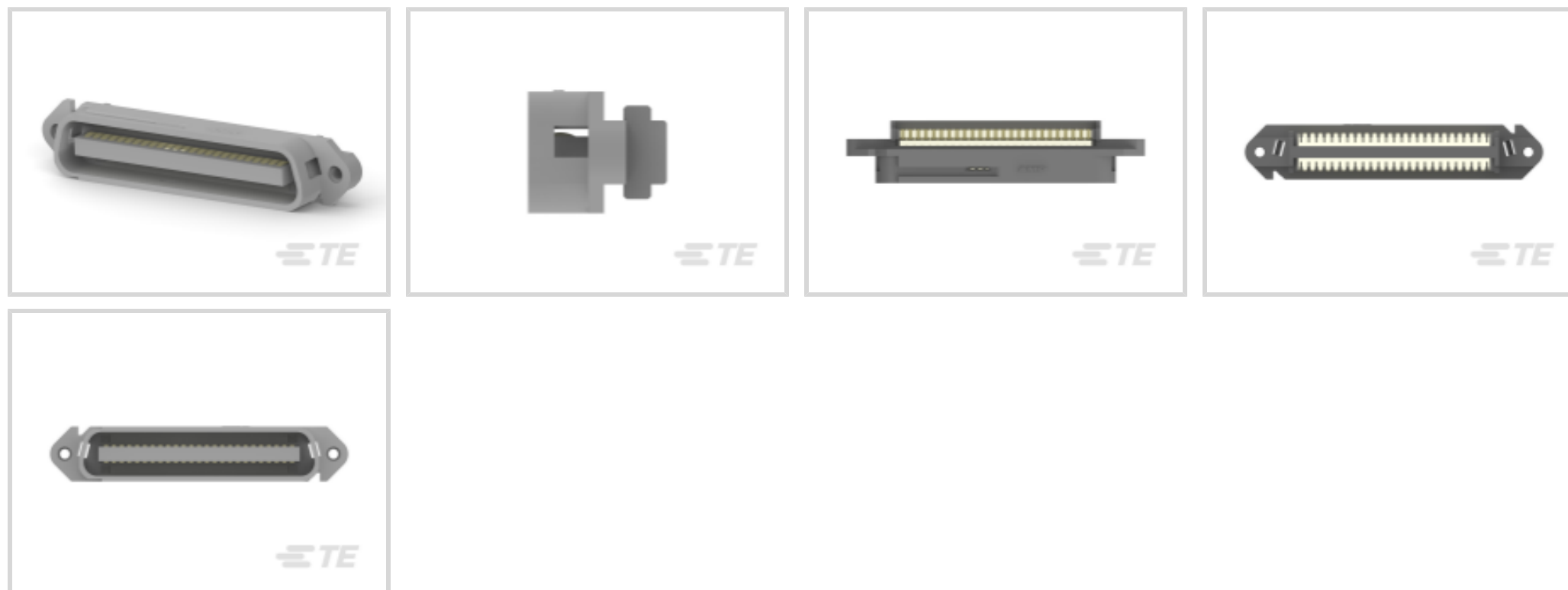
TE Internal #: 229974-4

IDC D-Sub Connectors, Plug, 26 – 24 AWG Solid Wire Size, .13 – .32 mm<sup>2</sup> Solid Wire Size, 24 AWG Stranded Wire, CHAMP Docking Connectors

[View on TE.com >](#)



Connectors > D-Shaped Connectors > D-Sub Connectors > IDC D-Sub Connectors > IDC D-Sub: Plug Assembly, 2.16 mm



Connector & Housing Type: **Plug**

Solid Wire Size: **.13 – .32 mm<sup>2</sup>**

Stranded Wire Size: **.33 mm<sup>2</sup>**

[All IDC D-Sub: Plug Assembly, 2.16 mm \(26\)](#)

## Features

### Product Type Features

Connector Classification	IDC
Profile	Standard
Slot Type Letter Code	B
Product Category	Connectors
Connector & Housing Type	Plug
Connector System	Cable-to-Cable
Connector Product Type	Connector Assembly
Sealable	No
Connector & Contact Terminates To	Wire & Cable

### Configuration Features

Number of Positions	50
Number of Rows	2
Compatible With Wire & Cable Type	Discrete Wire, Round Jacketed Cable

### Body Features



Color	Gray
-------	------

### Contact Features

Contact Mating Area Plating Thickness	.76 µm[30 µin]
Contact Mating Area Plating Material	Gold, Gold Flash over Palladium Nickel
Contact Underplating Material	Palladium Nickel
Contact Base Material	Copper Alloy
Contact Current Rating (Max)	3.5 A

### Mechanical Attachment

Flange Thickness	Thick
Mating Connector Lock	With
Mating Connector Lock Type	Screwlocks
Panel Mount Feature	Without
Screw & Hole Thread Size	4-40 UNC 2B
Connector Mounting Type	Cable Mount (Free-Hanging)

### Housing Features

Housing Material	Thermoplastic
Housing Color Dot Designation	Blue
Centerline (Pitch)	2.16 mm[.085 in]

### Dimensions

Insulation Diameter (Max)	1.14 mm[.045 in]
Solid Wire Size	.13 – .32 mm <sup>2</sup>
Stranded Wire Size	.33 mm <sup>2</sup>
Wire Size	26 – 24 AWG

### Usage Conditions

Operating Temperature Range	-40 – 75 °C[-40 – 167 °F]
-----------------------------	---------------------------

### Operation/Application

Shielded	No
Circuit Application	Signal

### Packaging Features

Packaging Method	Box & Tray, Package
Packaging Quantity	100



## Product Compliance

[For compliance documentation, visit the product page on TE.com>](#)

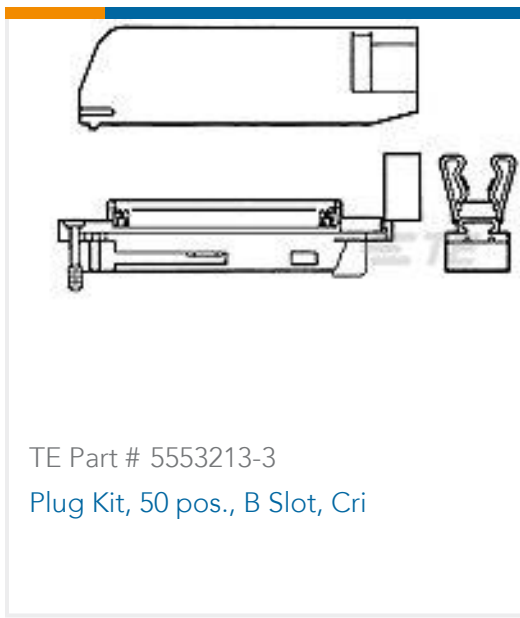
EU RoHS Directive 2011/65/EU	Compliant
EU ELV Directive 2000/53/EC	Compliant
China RoHS 2 Directive MIIT Order No 32, 2016	No Restricted Materials Above Threshold
EU REACH Regulation (EC) No. 1907/2006	Current ECHA Candidate List: JUNE 2022 (224) Candidate List Declared Against: JAN 2021 (211) SVHC > Threshold: Not Yet Reviewed
Halogen Content	Low Halogen - Br, Cl, F, I < 900 ppm per homogenous material. Also BFR/CFR/PVC Free
Solder Process Capability	Not applicable for solder process capability

### Product Compliance Disclaimer

This information is provided based on reasonable inquiry of our suppliers and represents our current actual knowledge based on the information they provided. This information is subject to change. The part numbers that TE has identified as EU RoHS compliant have a maximum concentration of 0.1% by weight in homogenous materials for lead, hexavalent chromium, mercury, PBB, PBDE, DBP, BBP, DEHP, DIBP, and 0.01% for cadmium, or qualify for an exemption to these limits as defined in the Annexes of Directive 2011/65/EU (RoHS2). Finished electrical and electronic equipment products will be CE marked as required by Directive 2011/65/EU. Components may not be CE marked. Additionally, the part numbers that TE has identified as EU ELV compliant have a maximum concentration of 0.1% by weight in homogenous materials for lead, hexavalent chromium, and mercury, and 0.01% for cadmium, or qualify for an exemption to these limits as defined in the Annexes of Directive 2000/53/EC (ELV). Regarding the REACH Regulation, the information TE provides on SVHC in articles for this part number is based on the latest European Chemicals Agency (ECHA) 'Guidance on requirements for substances in articles' posted at this URL: <https://echa.europa.eu/guidance-documents/guidance-on-reach>

## Compatible Parts

 <p>TE Part # CAT-357-D658 IDC D-Sub: Plug Assembly, 2.16 mm</p>	 <p>TE Part # CAT-357-D601 IDC D-Sub: Receptacle Assembly, 2.16 mm</p>	 <p>TE Part # 229378-1 ASSY, MI-1 TOOL, STD 14-50 POSN</p>	 <p>TE Part # 5552705-1 WEAR ADPT ASSY, PLUG/RCPT, 50</p>
---	--	---	--

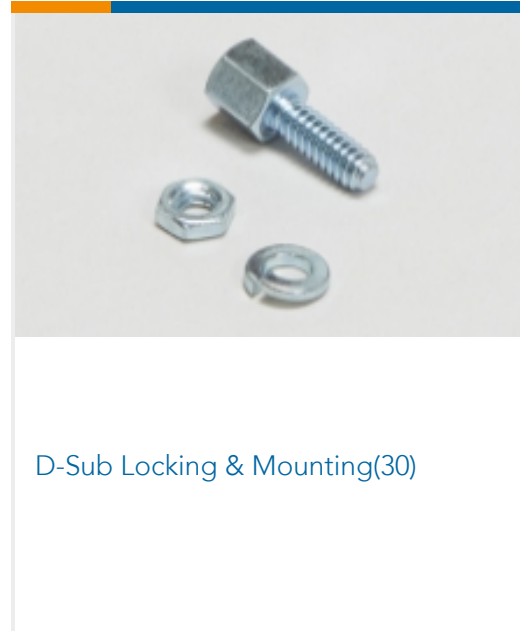


TE Part # 5553213-3  
Plug Kit, 50 pos., B Slot, Cri

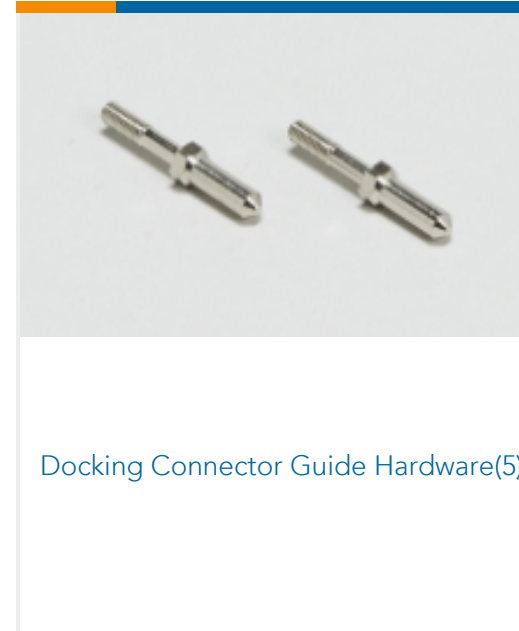
## Also in the Series | CHAMP Docking Connectors



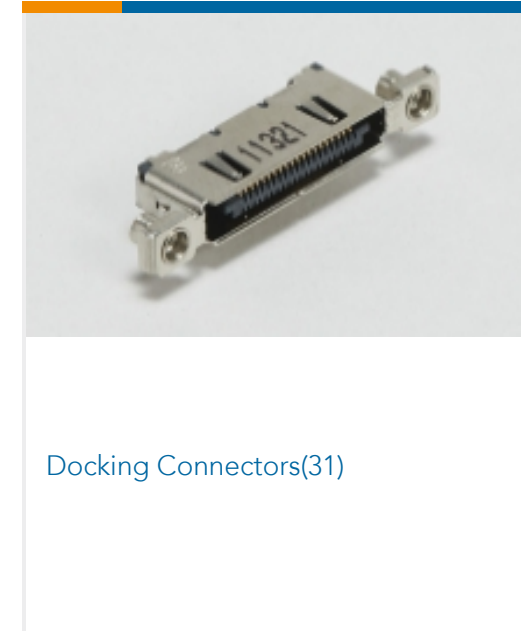
D-Sub Covers(28)



D-Sub Locking & Mounting(30)



Docking Connector Guide Hardware(5)



Docking Connectors(31)

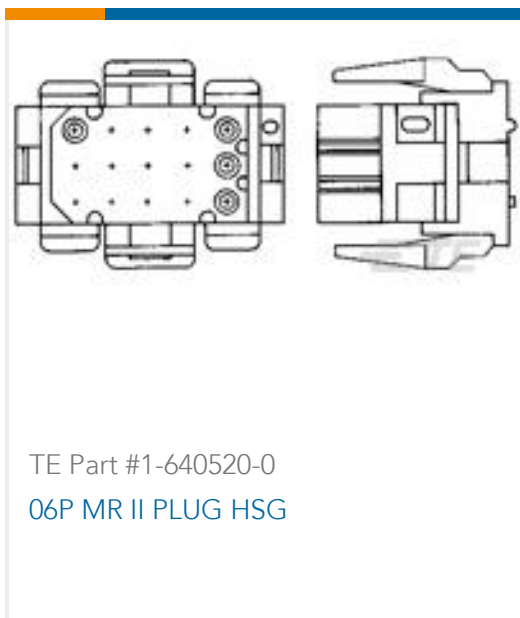


IDC D-Sub Connectors(80)



PCB D-Sub Connectors(1)

## Customers Also Bought



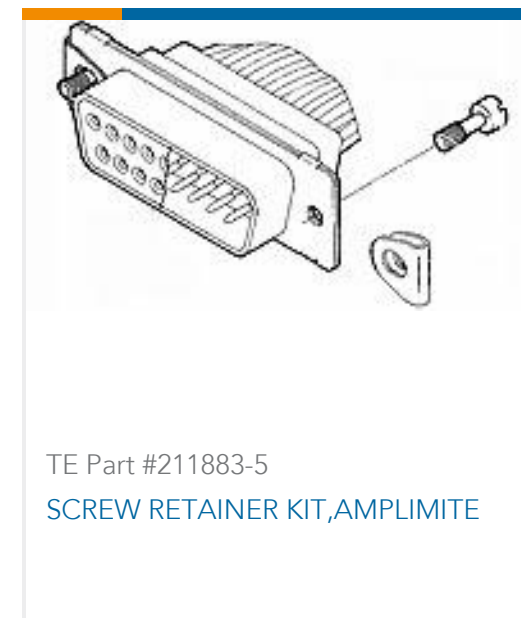
TE Part #1-640520-0  
06P MR II PLUG HSG



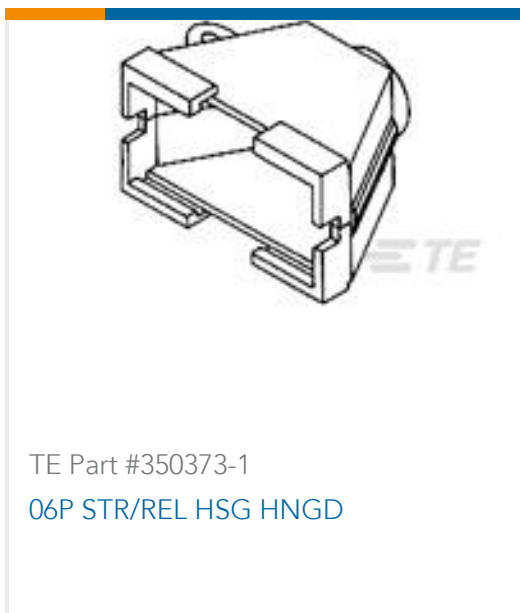
TE Part #204511-1  
AMPLIMITE,ASY,PLUG,STD,90,6



TE Part #38941-12L  
CONT PIN



TE Part #211883-5  
SCREW RETAINER KIT,AMPLIMITE



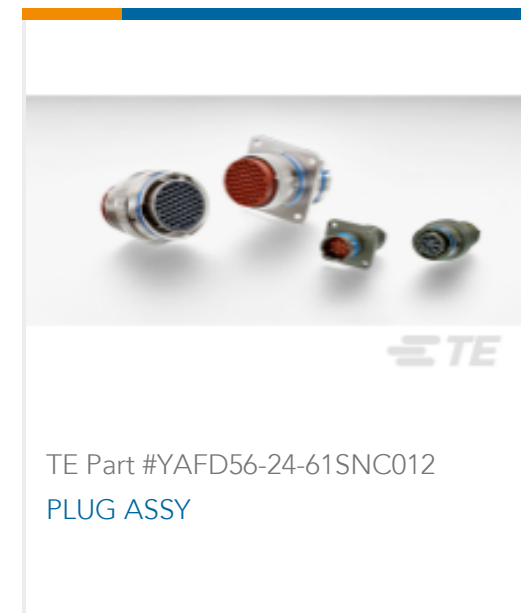
TE Part #350373-1  
06P STR/REL HSG HNGD



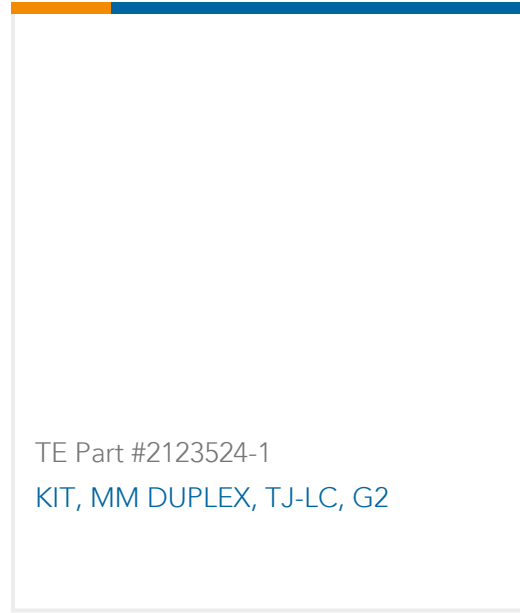
TE Part #552008-1  
KIT, COVER, 180, 50 POS



TE Part #52189  
TERMINAL,PIDG R 26-24 4



TE Part #YAFD56-24-61SNC012  
PLUG ASSY



## Documents

### Product Drawings

[ASSY, PLUG, 50 POS, B SLOT](#)

English

### CAD Files

Customer View Model

[ENG\\_CVM\\_CVM\\_229974-4\\_AB.2d\\_dxf.zip](#)

English

[3D PDF](#)

3D

Customer View Model

[ENG\\_CVM\\_CVM\\_229974-4\\_AB.3d\\_igs.zip](#)

English

Customer View Model

[ENG\\_CVM\\_CVM\\_229974-4\\_AB.3d\\_stp.zip](#)

English

By downloading the CAD file I accept and agree to the [Terms and Conditions](#) of use.

### Product Specifications

[Application Specification](#)

English

### Agency Approvals

[UL Report](#)

English