



Application Tooling > Insertion & Extraction Tools



Insertion & Extraction Tool Application: **Contact-to-Wire**

Features

Product Type Features

Insertion & Extraction Tool Application	Contact-to-Wire
-----------------------------------------	-----------------

Product Compliance

[For compliance documentation, visit the product page on TE.com>](#)

EU RoHS Directive 2011/65/EU	Compliant
EU ELV Directive 2000/53/EC	Out of Scope
China RoHS 2 Directive MIIT Order No 32, 2016	No Restricted Materials Above Threshold
EU REACH Regulation (EC) No. 1907/2006	Current ECHA Candidate List: JUNE 2022 (224) Candidate List Declared Against: JUN 2020 (209) SVHC > Threshold: Not Yet Reviewed
Halogen Content	Low Halogen - Br, Cl, F, I < 900 ppm per homogenous material. Also BFR/CFR/PVC Free
Solder Process Capability	Not applicable for solder process capability

Product Compliance Disclaimer

This information is provided based on reasonable inquiry of our suppliers and represents our current actual knowledge based on the information they provided. This information is subject to change. The part numbers that TE has identified as EU RoHS compliant have a maximum concentration of 0.1% by weight in homogenous materials for lead, hexavalent chromium, mercury, PBB, PBDE, DBP, BBP, DEHP, DIBP, and 0.01% for cadmium, or qualify for an exemption to these limits as defined in the Annexes of Directive 2011/65/EU (RoHS2). Finished electrical and electronic equipment products will be CE marked as required by Directive 2011/65/EU. Components may not be CE marked. Additionally, the part numbers that TE has identified as EU ELV compliant have a maximum concentration of 0.1% by weight in homogenous materials for lead, hexavalent chromium, and mercury, and 0.01% for cadmium, or qualify for an exemption to these limits as defined in the Annexes of Directive 2000/53/EC (ELV). Regarding the REACH Regulation, the information TE provides on SVHC in articles for this part number is based on the latest European Chemicals Agency (ECHA) 'Guidance on requirements for substances in articles' posted at this URL: <https://echa.europa.eu/guidance-documents/guidance-on-reach>

Compatible Parts



TE Part # CAT-357-D601
IDC D-Sub: Receptacle Assembly, 2.16 mm



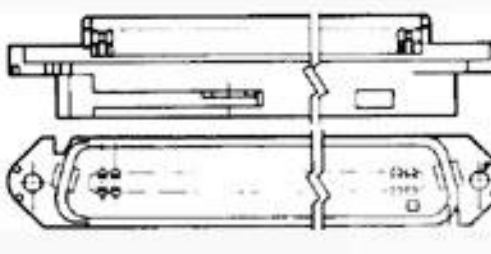
TE Part # CAT-357-D658
IDC D-Sub: Plug Assembly, 2.16 mm



TE Part # CAT-357-D65015
IDC D-Sub: Connector Kit, Plug, 2.16 mm



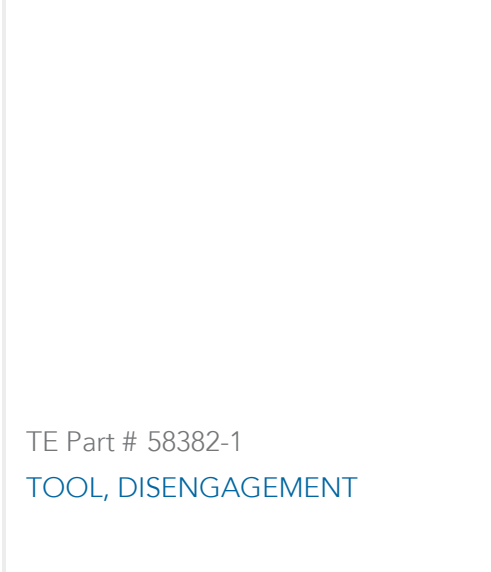
TE Part # 229913-1
KIT, RCPT, 50 POS, B SLOT



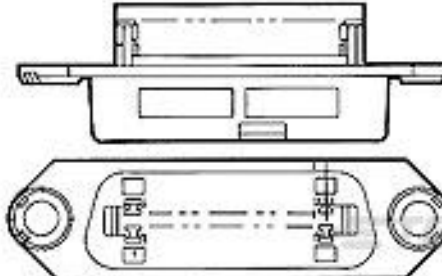
TE Part # 552488-1
ASSY, PLUG, 64 POS, E SLOT



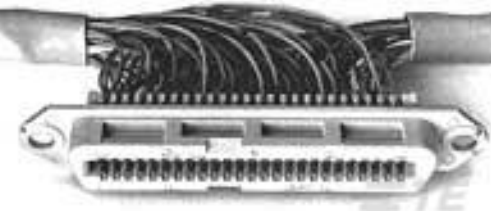
TE Part # CAT-357-D650155
IDC D-Sub: Receptacle Kit, 50, 2.16 mm



TE Part # 58382-1
TOOL, DISENGAGEMENT



TE Part # 2-552324-1
ASSY, RCPT, 50 POS, C SLOT

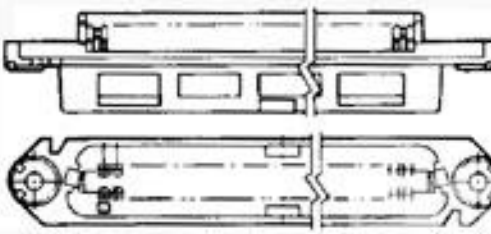


TE Part # 552827-1
RCPT ASSY 50 POS, MULTI-WIRE

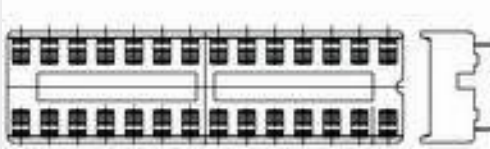


TE Part # 554951-2
PLUG KIT, 36 POSN, SCR LK, SHLD

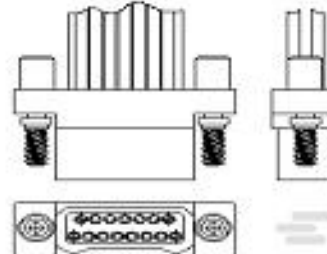
Customers Also Bought



TE Part # 229975-1
ASSY, RCPT, 50 POS, B SLOT, BLK HSG



TE Part # 1-2199298-4
16P, DIP SKT, 300 CL, LDR, PB FREE



TE Part # 8-1589474-4
STM051PC2DC060Q = WDUALOBE



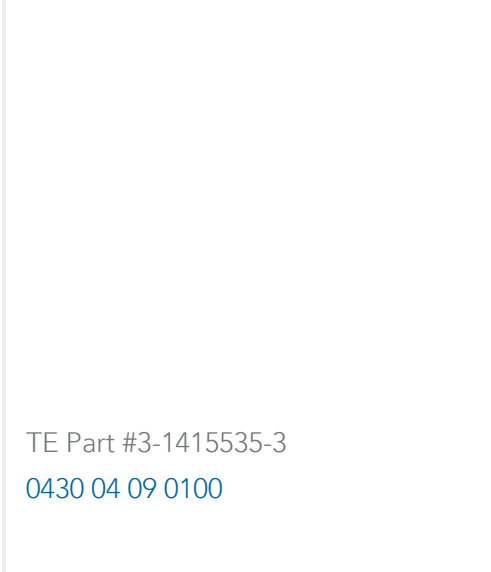
TE Part # 4-1589474-8
STM037PC2DC060Q = WDUALOBE



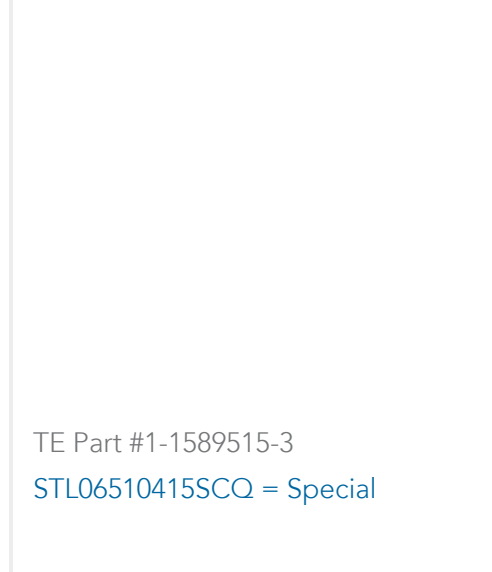
TE Part # 2227250-1
1x4 Cage Assy, Bhnd Bezel, QSFP28



TE Part # 2825653001
44A0211-16-5



TE Part # 3-1415535-3
0430 04 09 0100



TE Part # 1-1589515-3
STL06510415SCQ = Special



Documents

Product Drawings

[TOOL, INSERTION, HAND, T-GRIP](#)

English

Instruction Sheets

[Instruction Sheet \(U.S.\)](#)

English

[CHAMP T-Handle Wire Insertion Tool for CHAMP Connectors](#)

English