

TE Internal #: 2267079-3

Toggle Switches, Single Pole - Double Throw Configuration (Pole-Throw), 10-48, Sealed, Silver, Terminal Seal (Epoxy), Baton Standard, On On, 3 A

[View on TE.com >](#)

[Relays, Contactors & Switches > Switches > Toggle Switches](#)
Configuration (Pole-Throw): **Single Pole - Double Throw**Bushing Thread Size: **10-48**Sealed Toggle Switch: **Yes**Switch Contact Plating Material: **Silver**Process Sealed: **No**

Features

Product Type Features

Product Type	Switch
Sealed Toggle Switch	Yes
Toggle Style	Baton Standard
Toggle Switch Type	Toggle
Toggle Actuation	Vertical

Configuration Features

Configuration (Pole-Throw)	Single Pole - Double Throw
Operating Function	On On

Electrical Characteristics

Toggle Switch Voltage Rating	120 VAC
------------------------------	---------

Body Features

Color	Red
Bushing Thread Size	10-48
Toggle Switch Seal Type	Terminal Seal (Epoxy)
Bushing Style	Threaded

Contact Features

Switch Contact Plating Material	Silver
Toggle Switch Contact Current Rating	3 A



Termination Features

Termination Type	Vertical
------------------	----------

Mechanical Attachment

Toggle Switch Mounting Type	Solder
-----------------------------	--------

Housing Features

Process Sealed	No
----------------	----

Dimensions

Toggle Length	7.37 mm [.29 in]
---------------	------------------

Industry Standards

UL Rating	Flame Rating Only
UL Flammability Rating	UL 94V-0

Product Compliance

[For compliance documentation, visit the product page on TE.com>](#)

EU RoHS Directive 2011/65/EU	Compliant with Exemptions
EU ELV Directive 2000/53/EC	Compliant with Exemptions
China RoHS 2 Directive MIIT Order No 32, 2016	Restricted Materials Above Threshold
EU REACH Regulation (EC) No. 1907/2006	Current ECHA Candidate List: JAN 2022 (223) Candidate List Declared Against: JUL 2021 (219) SVHC > Threshold: Pb (3.7% in component part) Article Safe Usage Statements: Do not eat, drink or smoke when using this product. Wash thoroughly after handling. Recycle if possible and dispose of the article by following all applicable governmental regulations relevant to your geographic location.
Halogen Content	Low Halogen - Br, Cl, F, I < 900 ppm per homogenous material. Also BFR/CFR/PVC Free
Solder Process Capability	Wave solder capable to 260°C

Product Compliance Disclaimer

This information is provided based on reasonable inquiry of our suppliers and represents our current actual knowledge based on the information they provided. This information is subject to change. The part numbers that TE has identified as EU RoHS compliant have a maximum concentration of 0.1% by weight in homogenous materials for lead, hexavalent chromium, mercury, PBB, PBDE, DBP, BBP, DEHP, DIBP, and 0.01% for cadmium, or qualify for an exemption to these limits as defined in the Annexes of Directive 2011/65/EU (RoHS2). Finished electrical and electronic equipment products will be CE marked as required by Directive 2011/65/EU. Components may not be CE marked. Additionally, the part numbers that TE has identified as EU ELV compliant have a maximum concentration of 0.1% by weight in homogenous materials for lead, hexavalent chromium, and mercury, and 0.01% for cadmium, or qualify for an exemption to these limits as defined in the Annexes of Directive 2000/53/EC (ELV). Regarding the REACH Regulation, the information TE provides on SVHC in articles for this part number is based on the latest European Chemicals Agency (ECHA) 'Guidance on

requirements for substances in articles' posted at this URL: <https://echa.europa.eu/guidance-documents/guidance-on-reach>

Compatible Parts



TE Part # 2267074-1
PMS9P1B05M2RE



TE Part # 2267074-4
PMS9P1B05M2QE



TE Part # 2267076-3
PMS8P1B09M2RE



TE Part # 2267074-3
PMS9P1B05M2QE



TE Part # 2267072-3
PMD9P1B10M6RE

Customers Also Bought



TE Part #640455-5
Polyester Right Angle PCB Header:
2.54mm, Wire-to-Board, MTA 100




TE Part #5557969-1
MJ,TE,8P/8C,SHLD,PNL STOPS&G



TE Part #5-104362-3
04 MTE HDR SRST LATCH W/HLDWN



TE Part #640445-7
07P MTA156 HDR ASSY FL/STR SN



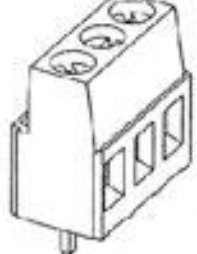
TE Part #1-104480-7
SHORT POINT CONT PLTD SN



TE Part #4-2176331-7
CRGP 2512 68K 1%



TE Part #52410-1
PIDG SP SPD 22-16COMM22-18MIL8



TE Part #282841-2
TERMI-BLOK PCB MOUNT 2P. 5

Documents

Product Drawings

TMS1T3B1M1QE

English



CAD Files

3D PDF

3D

Customer View Model

[ENG_CVM_CVM_2267079-3_A_c-2267079-3-a.2d_dxf.zip](#)

English

Customer View Model

[ENG_CVM_CVM_2267079-3_A_c-2267079-3-a.3d_igs.zip](#)

English

Customer View Model

[ENG_CVM_CVM_2267079-3_A_c-2267079-3-a.3d_stp.zip](#)

English

By downloading the CAD file I accept and agree to the [Terms and Conditions](#) of use.

Datasheets & Catalog Pages

Subminiature Switches

English