



TE Internal #: 2267079-1

Toggle Switches, Single Pole - Double Throw Configuration (Pole-Throw), 10-48, Sealed, Gold, Terminal Seal (Epoxy), Baton Standard, On On, .4 A, 20 V

[View on TE.com >](#)

Relays, Contactors & Switches > Switches > Toggle Switches



Configuration (Pole-Throw): **Single Pole - Double Throw**

Bushing Thread Size: **10-48**

Sealed Toggle Switch: **Yes**

Switch Contact Plating Material: **Gold**

Process Sealed: **No**

Features

Product Type Features

Product Type	Switch
Sealed Toggle Switch	Yes
Toggle Style	Baton Standard
Toggle Switch Type	Toggle
Toggle Actuation	Vertical

Configuration Features

Configuration (Pole-Throw)	Single Pole - Double Throw
Operating Function	On On

Electrical Characteristics

Toggle Switch Voltage Rating	20 VAC
------------------------------	--------

Body Features

Color	Red
Bushing Thread Size	10-48
Toggle Switch Seal Type	Terminal Seal (Epoxy)
Bushing Style	Threaded

Contact Features

Switch Contact Plating Material	Gold
Toggle Switch Contact Current Rating	.4 A



Termination Features

Termination Type	Wire Wrap
------------------	-----------

Mechanical Attachment

Toggle Switch Mounting Type	Through Hole
-----------------------------	--------------

Housing Features

Process Sealed	No
----------------	----

Dimensions

Toggle Length	7.37 mm[.29 in]
---------------	-----------------

Industry Standards

UL Rating	Flame Rating Only
UL Flammability Rating	UL 94V-0

Product Compliance

[For compliance documentation, visit the product page on TE.com>](#)

EU RoHS Directive 2011/65/EU	Not Yet Reviewed
EU ELV Directive 2000/53/EC	Not Yet Reviewed
China RoHS 2 Directive MIIT Order No 32, 2016	Restricted Materials Above Threshold
EU REACH Regulation (EC) No. 1907/2006	Current ECHA Candidate List: JAN 2022 (223) Candidate List Declared Against: JUN 2018 (191) SVHC > Threshold: Pb (3.7% in Component Part) Article Safe Usage Statements: Do not eat, drink or smoke when using this product. Wash thoroughly after handling. Recycle if possible and dispose of the article by following all applicable governmental regulations relevant to your geographic location.
Halogen Content	Not Low Halogen - contains Br or Cl > 900 ppm.
Solder Process Capability	Wave solder capable to 260°C

Product Compliance Disclaimer

This information is provided based on reasonable inquiry of our suppliers and represents our current actual knowledge based on the information they provided. This information is subject to change. The part numbers that TE has identified as EU RoHS compliant have a maximum concentration of 0.1% by weight in homogenous materials for lead, hexavalent chromium, mercury, PBB, PBDE, DBP, BBP, DEHP, DIBP, and 0.01% for cadmium, or qualify for an exemption to these limits as defined in the Annexes of Directive 2011/65/EU (RoHS2). Finished electrical and electronic equipment products will be CE marked as required by Directive 2011/65/EU. Components may not be CE marked. Additionally, the part numbers that TE has identified as EU ELV compliant have a maximum concentration of 0.1% by weight in homogenous materials for lead, hexavalent chromium, and mercury, and 0.01% for cadmium, or qualify for an exemption to these limits as defined in the Annexes of Directive 2000/53/EC (ELV). Regarding the REACH Regulation, the information TE provides

on SVHC in articles for this part number is based on the latest European Chemicals Agency (ECHA) 'Guidance on requirements for substances in articles' posted at this URL: <https://echa.europa.eu/guidance-documents/guidance-on-reach>

Compatible Parts



TE Part # 2267074-1
PMS9P1B05M2RE



TE Part # 2267074-4
PMS9P1B05M2QE



TE Part # 2267076-3
PMS8P1B09M2RE



TE Part # 2267074-3
PMS9P1B05M2QE



TE Part # 2267072-3
PMD9P1B10M6RE

Customers Also Bought



TE Part #5-1879233-6
SMW5 20R 5%



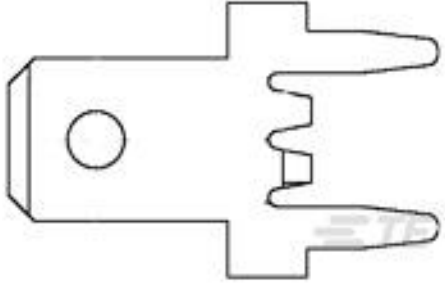
TE Part #5-747913-2
25 Rcpt Solder Cup, Gold Flash



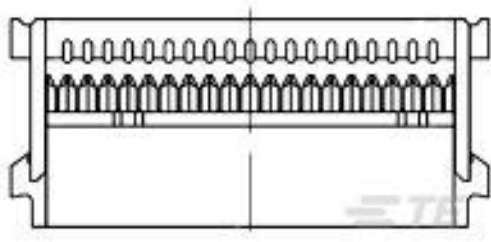
TE Part #102387-1
10 MODIV HSG COMP DR .100 POL



TE Part #3-520370-2
ULTRA-FAST 110/125 ASY REC 16-14AWG TPBR




TE Part #63982-1
187 FASTON TAB TPBR



TE Part #1658526-5
609-1041LF FEM SOCKET, LEAD FREE



TE Part #8-1879026-9
YR1 0.1% 499K



TE Part #5745173-3
CABLE CLAMP KIT, SZ 3



Documents

Product Drawings

[TMS1T3B1M5RE](#)

English

CAD Files

[3D PDF](#)

3D

Customer View Model

[ENG_CVM_CVM_2267079-1_A_c-2267079-1-a.2d_dxf.zip](#)

English

Customer View Model

[ENG_CVM_CVM_2267079-1_A_c-2267079-1-a.3d_igs.zip](#)

English

Customer View Model

[ENG_CVM_CVM_2267079-1_A_c-2267079-1-a.3d_stp.zip](#)

English

By downloading the CAD file I accept and agree to the [Terms and Conditions](#) of use.

Datasheets & Catalog Pages

[Subminiature Switches](#)

English