



TE Internal #: 2267075-1
 Push Button Switches, Single Pole - Single Throw Configuration (Pole-Throw), Switch, Single Actuator, Extended Actuator Profile, Unthreaded, Off [On]

[View on TE.com >](#)

Relays, Contactors & Switches > Switches > Push Button Switches



Configuration (Pole-Throw): **Single Pole - Single Throw**

Push Button Switch Product Type: **Switch**

Number of Actuators: **Single**

Actuator Profile: **Extended**

Bushing Style: **Unthreaded**

Features

Product Type Features

Dust Proof	No
Push Button Switch Product Type	Switch
Illuminated	No
Actuator Style	Round

Configuration Features

ESD Grounding Terminal	Without
Ganged	No
Configuration (Pole-Throw)	Single Pole - Single Throw
Number of Actuators	Single
Snap Action	Without
Support Bracket	Without
Tactile	No
Operating Function	Off [On]

Electrical Characteristics

Push Button Switch Voltage Rating	20 VDC
-----------------------------------	--------

Body Features

Case Material	Diallyl Phthalate (DAP)
Actuator Material	Thermoplastic Polyester
Actuator Profile	Extended



Bushing Style	Unthreaded
Actuator Color	Black

Contact Features

Push Button Switch Contact Current Rating	.4 A
Switch Contact Plating Material	Gold

Termination Features

Termination Type	Printed Circuit
------------------	-----------------

Mechanical Attachment

Mounting Angle	Vertical
Screw & Hole Thread Size	1/4-40
Push Button Switch Mounting Type	Through Hole

Housing Features

Low Profile	No
Process Sealed	No

Dimensions

Actuator Length	3.94 mm[.155 in]
-----------------	------------------

Usage Conditions

Temperature Rating	Standard
--------------------	----------

Packaging Features

Packaging Method	Loose Piece
------------------	-------------

Other

Comment	(On) indicates momentary position.
---------	------------------------------------

Product Compliance

[For compliance documentation, visit the product page on TE.com>](#)

EU RoHS Directive 2011/65/EU	Compliant with Exemptions
EU ELV Directive 2000/53/EC	Compliant with Exemptions
China RoHS 2 Directive MIIT Order No 32, 2016	Restricted Materials Above Threshold
EU REACH Regulation (EC) No. 1907/2006	Current ECHA Candidate List: JAN 2022 (223) Candidate List Declared Against: JUL 2021 (219) SVHC > Threshold:



Pb (3.7% in component part)

Article Safe Usage Statements:

Do not eat, drink or smoke when using this product. Wash thoroughly after handling. Recycle if possible and dispose of the article by following all applicable governmental regulations relevant to your geographic location.

Halogen Content

Low Halogen - Br, Cl, F, I < 900 ppm per homogenous material. Also BFR/CFR/PVC Free

Solder Process Capability

Wave solder capable to 260°C

Product Compliance Disclaimer

This information is provided based on reasonable inquiry of our suppliers and represents our current actual knowledge based on the information they provided. This information is subject to change. The part numbers that TE has identified as EU RoHS compliant have a maximum concentration of 0.1% by weight in homogenous materials for lead, hexavalent chromium, mercury, PBB, PBDE, DBP, BBP, DEHP, DIBP, and 0.01% for cadmium, or qualify for an exemption to these limits as defined in the Annexes of Directive 2011/65/EU (RoHS2). Finished electrical and electronic equipment products will be CE marked as required by Directive 2011/65/EU. Components may not be CE marked. Additionally, the part numbers that TE has identified as EU ELV compliant have a maximum concentration of 0.1% by weight in homogenous materials for lead, hexavalent chromium, and mercury, and 0.01% for cadmium, or qualify for an exemption to these limits as defined in the Annexes of Directive 2000/53/EC (ELV). Regarding the REACH Regulation, the information TE provides on SVHC in articles for this part number is based on the latest European Chemicals Agency (ECHA) 'Guidance on requirements for substances in articles' posted at this URL: <https://echa.europa.eu/guidance-documents/guidance-on-reach>

Compatible Parts



TE Part # 2267074-1
PMS9P1B05M2RE



TE Part # 2267074-4
PMS9P1B05M2QE



TE Part # 2267076-3
PMS8P1B09M2RE



TE Part # 2267074-3
PMS9P1B05M2QE

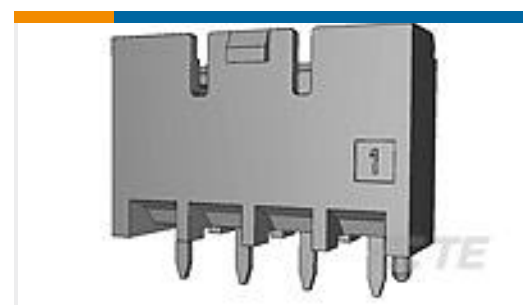


TE Part # 2267072-3
PMD9P1B10M6RE

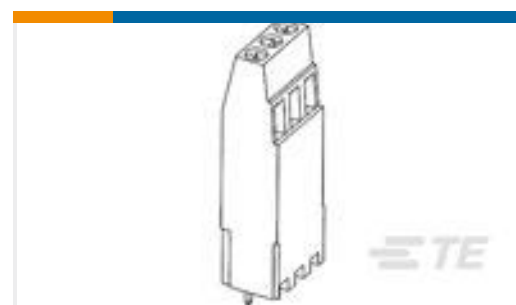
Customers Also Bought



TE Part #2176070-5
3521 15R 1% 2W



TE Part #1376384-1
5mm B-T-W Conn. 4P HDR ASSEMBL



TE Part #282884-2
TERMI-BLOK PCB MOUNT 3RD 2P. 5



TE Part #2-2176345-7
CRGCO 1210 1K5 1%



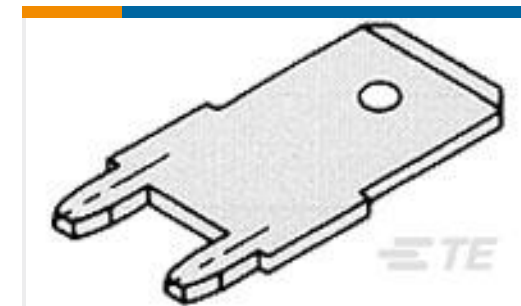
TE Part #1-1721150-3
ORWH-SH-112D1F,000



TE Part #8-1393239-7
RT314F12



TE Part #2-1393237-8
RT424012F



TE Part #62409-1
250 FASTON TAB TPBR



TE Part #YAFD56-24-61SNC012
PLUG ASSY

Documents

Product Drawings

[PMS9P1B08M2RE](#)

English

CAD Files

[3D PDF](#)

3D

Customer View Model

[ENG_CVM_CVM_2267075-1_A_c-2267075-1-a.2d_dxf.zip](#)

English

Customer View Model

[ENG_CVM_CVM_2267075-1_A_c-2267075-1-a.3d_igs.zip](#)

English

Customer View Model

[ENG_CVM_CVM_2267075-1_A_c-2267075-1-a.3d_stp.zip](#)

English

By downloading the CAD file I accept and agree to the [Terms and Conditions](#) of use.

Datasheets & Catalog Pages



Subminiature Switches

English