

2221760-6 ✓ ACTIVE

## AMPLIMITE

TE Internal #: 2221760-6

Crimp D-Sub Connectors, Receptacle, Cable-to-Cable, 104

Position, Size 22, Size 6, .09 in [2.29 mm] Centerline, Sealable, Wire & Cable, Signal

[View on TE.com >](#)



Connectors > D-Shaped Connectors > D-Sub Connectors > Crimp D-Sub Connectors



Connector & Housing Type: **Receptacle**

Connector System: **Cable-to-Cable**

Number of Positions: **104**

D-Sub Contact Size: **22**

D-Sub Shell Size: **6**

### Features

#### Product Type Features

|                                   |                |
|-----------------------------------|----------------|
| Grounding Indents                 | Without        |
| Grommets                          | With           |
| Product Type                      | Connector      |
| Shell Type                        | Metal          |
| Connector & Housing Type          | Receptacle     |
| Connector System                  | Cable-to-Cable |
| D-Sub Shell Size                  | 6              |
| Sealable                          | Yes            |
| Connector & Contact Terminates To | Wire & Cable   |

#### Configuration Features

|                     |     |
|---------------------|-----|
| Number of Positions | 104 |
|---------------------|-----|

#### Body Features

|                        |                 |
|------------------------|-----------------|
| Shell Material         | Carbon Steel    |
| Shield Material        | Steel           |
| Retainer Clip Material | Stainless Steel |
| Shell Plating Material | Zinc            |
| Insert Material        | Thermoplastic   |



### Contact Features

|                              |     |
|------------------------------|-----|
| D-Sub Contact Size           | 22  |
| Contact Current Rating (Max) | 5 A |

### Termination Features

|                                    |       |
|------------------------------------|-------|
| Termination Method to Wire & Cable | Crimp |
|------------------------------------|-------|

### Mechanical Attachment

|                         |             |
|-------------------------|-------------|
| Mating Retention        | Without     |
| Connector Mounting Type | Panel Mount |

### Housing Features

|                    |                  |
|--------------------|------------------|
| Housing Material   | Thermoplastic    |
| Housing Color      | Black            |
| Centerline (Pitch) | 2.29 mm [.09 in] |

### Usage Conditions

|                             |                             |
|-----------------------------|-----------------------------|
| Operating Temperature Range | -55 – 125 °C [-67 – 257 °F] |
|-----------------------------|-----------------------------|

### Operation/Application

|                     |               |
|---------------------|---------------|
| For Use With        | Crimp Snap-in |
| Shielded            | No            |
| Circuit Application | Signal        |

### Industry Standards

|                            |     |
|----------------------------|-----|
| Insert Flammability Rating | V-0 |
|----------------------------|-----|

### Product Compliance

For compliance documentation, visit the product page on [TE.com](https://www.te.com)>

|                                               |                                                                                                                                         |
|-----------------------------------------------|-----------------------------------------------------------------------------------------------------------------------------------------|
| EU RoHS Directive 2011/65/EU                  | Not Compliant                                                                                                                           |
| EU ELV Directive 2000/53/EC                   | Not Yet Reviewed                                                                                                                        |
| China RoHS 2 Directive MIIT Order No 32, 2016 | Restricted Materials Above Threshold                                                                                                    |
| EU REACH Regulation (EC) No. 1907/2006        | Current ECHA Candidate List: JAN 2022 (223)<br>Candidate List Declared Against: JUL 2017 (174)<br>SVHC > Threshold:<br>Not Yet Reviewed |
| Halogen Content                               | Not Yet Reviewed for halogen content                                                                                                    |
| Solder Process Capability                     | Not reviewed for solder process capability                                                                                              |



Product Compliance Disclaimer

This information is provided based on reasonable inquiry of our suppliers and represents our current actual knowledge based on the information they provided. This information is subject to change. The part numbers that TE has identified as EU RoHS compliant have a maximum concentration of 0.1% by weight in homogenous materials for lead, hexavalent chromium, mercury, PBB, PBDE, DBP, BBP, DEHP, DIBP, and 0.01% for cadmium, or qualify for an exemption to these limits as defined in the Annexes of Directive 2011/65/EU (RoHS2). Finished electrical and electronic equipment products will be CE marked as required by Directive 2011/65/EU. Components may not be CE marked. Additionally, the part numbers that TE has identified as EU ELV compliant have a maximum concentration of 0.1% by weight in homogenous materials for lead, hexavalent chromium, and mercury, and 0.01% for cadmium, or qualify for an exemption to these limits as defined in the Annexes of Directive 2000/53/EC (ELV). Regarding the REACH Regulations, TE's information on SVHC in articles for this part number is still based on the European Chemical Agency (ECHA) 'Guidance on requirements for substances in articles' (Version: 2, April 2011), applying the 0.1% weight on weight concentration threshold at the finished product level. TE is aware of the European Court of Justice ruling of September 10th, 2015 also known as O5A (Once An Article Always An Article) stating that, in case of 'complex object', the threshold for a SVHC must be applied to both the product as a whole and simultaneously to each of the articles forming part of its composition. TE has evaluated this ruling based on the new ECHA "Guidance on requirements for substances in articles" (June 2017, version 4.0) and will be updating its statements accordingly.

### Compatible Parts

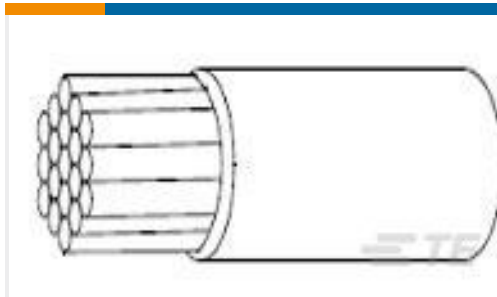


TE Part # 205090-1  
HD 20 SOCKET CONTACT

### Customers Also Bought



TE Part #2-320572-3  
TERMINAL, PIDG R IR 20 5/16



TE Part #561923-000  
22759/44-20-0



TE Part #EM7055-000  
55A1112-26-9-9CS2275



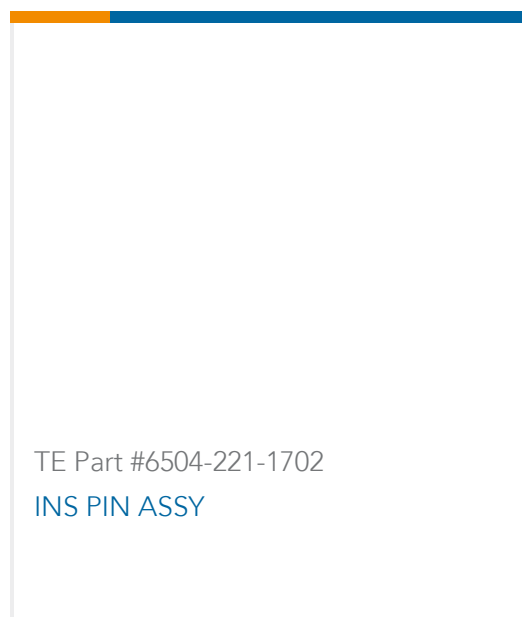
TE Part #YAFD54-22-55PWC012  
RECP ASSY

TE Part #1-1618279-3  
MHC-1=RELAY, VACUUM, SPDT

TE Part #2-1589678-8  
NCG00711041PC2DC006 = CIRCULAR

TE Part #Y34248-10P-3000000  
HERM RECP

TE Part #6334-203-17149  
SHL PLUG ASSY



## Documents

### Product Drawings

[AMPLIMITE IP67, SZ6, 90, 104 POS, RCPT](#)

English

### CAD Files

[3D PDF](#)

3D

Customer View Model

[ENG\\_CVM\\_CVM\\_2221760-6\\_E.2d\\_dxf.zip](#)

English

Customer View Model

[ENG\\_CVM\\_CVM\\_2221760-6\\_E.3d\\_igs.zip](#)

English

Customer View Model

[ENG\\_CVM\\_CVM\\_2221760-6\\_E.3d\\_stp.zip](#)

English

By downloading the CAD file I accept and agree to the [Terms and Conditions](#) of use.

### Datasheets & Catalog Pages

[IP67 Sealed AMPLIMITE](#)

English