

2221760-4 ✓ ACTIVE

AMPLIMITE

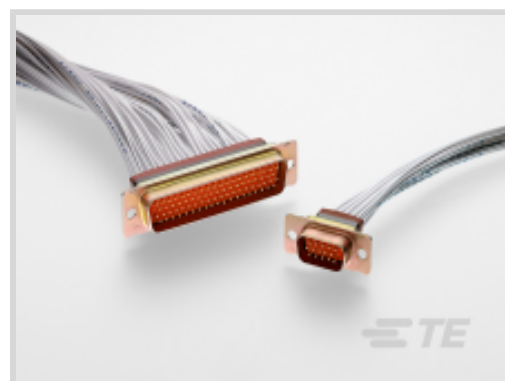
TE Internal #: 2221760-4

Crimp D-Sub Connectors, Receptacle, Cable-to-Cable, 37 Position, Size 20, Size 4, .109 in [2.77 mm] Centerline, Sealable, Wire & Cable, Signal

[View on TE.com >](#)



Connectors > D-Shaped Connectors > D-Sub Connectors > Crimp D-Sub Connectors



Connector & Housing Type: **Receptacle**

Connector System: **Cable-to-Cable**

Number of Positions: **37**

D-Sub Contact Size: **20**

D-Sub Shell Size: **4**

Features

Product Type Features

Grounding Indents	Without
Grommets	With
Product Type	Connector
Shell Type	Metal
Connector & Housing Type	Receptacle
Connector System	Cable-to-Cable
D-Sub Shell Size	4
Sealable	Yes
Connector & Contact Terminates To	Wire & Cable

Configuration Features

Number of Positions	37
---------------------	----

Body Features

Shell Material	Carbon Steel
Shield Material	Steel
Retainer Clip Material	Stainless Steel
Shell Plating Material	Zinc
Insert Material	Thermoplastic



Contact Features

D-Sub Contact Size	20
Contact Current Rating (Max)	7.5 A

Termination Features

Termination Method to Wire & Cable	Crimp
------------------------------------	-------

Mechanical Attachment

Mating Retention	Without
Connector Mounting Type	Panel Mount

Housing Features

Housing Material	Thermoplastic
Housing Color	Black
Centerline (Pitch)	2.77 mm [.109 in]

Usage Conditions

Operating Temperature Range	-55 – 125 °C [-67 – 257 °F]
-----------------------------	-----------------------------

Operation/Application

For Use With	Crimp Snap-in
Shielded	No
Circuit Application	Signal

Industry Standards

Insert Flammability Rating	V-0
----------------------------	-----

Product Compliance

For compliance documentation, visit the product page on [TE.com](https://www.te.com)>

EU RoHS Directive 2011/65/EU	Not Compliant
EU ELV Directive 2000/53/EC	Not Compliant
China RoHS 2 Directive MIIT Order No 32, 2016	Restricted Materials Above Threshold
EU REACH Regulation (EC) No. 1907/2006	Current ECHA Candidate List: JAN 2022 (223) Candidate List Declared Against: JUL 2017 (174) SVHC > Threshold: Not Yet Reviewed
Halogen Content	Not Yet Reviewed for halogen content
Solder Process Capability	Not applicable for solder process capability

Product Compliance Disclaimer

This information is provided based on reasonable inquiry of our suppliers and represents our current actual knowledge based on the information they provided. This information is subject to change. The part numbers that TE has identified as EU RoHS compliant have a maximum concentration of 0.1% by weight in homogenous materials for lead, hexavalent chromium, mercury, PBB, PBDE, DBP, BBP, DEHP, DIBP, and 0.01% for cadmium, or qualify for an exemption to these limits as defined in the Annexes of Directive 2011/65/EU (RoHS2). Finished electrical and electronic equipment products will be CE marked as required by Directive 2011/65/EU. Components may not be CE marked. Additionally, the part numbers that TE has identified as EU ELV compliant have a maximum concentration of 0.1% by weight in homogenous materials for lead, hexavalent chromium, and mercury, and 0.01% for cadmium, or qualify for an exemption to these limits as defined in the Annexes of Directive 2000/53/EC (ELV). Regarding the REACH Regulations, TE's information on SVHC in articles for this part number is still based on the European Chemical Agency (ECHA) 'Guidance on requirements for substances in articles' (Version: 2, April 2011), applying the 0.1% weight on weight concentration threshold at the finished product level. TE is aware of the European Court of Justice ruling of September 10th, 2015 also known as O5A (Once An Article Always An Article) stating that, in case of 'complex object', the threshold for a SVHC must be applied to both the product as a whole and simultaneously to each of the articles forming part of its composition. TE has evaluated this ruling based on the new ECHA "Guidance on requirements for substances in articles" (June 2017, version 4.0) and will be updating its statements accordingly.

Compatible Parts



TE Part # 205090-1
HD 20 SOCKET CONTACT

Customers Also Bought



TE Part #5413631-1
JACK,RTANG, PCB,50 OHM, BNC



TE Part #9-1618389-8
LEV100A5ANG=RELAY, SPST, 24Vdc



TE Part #3-794630-8
08P MICRO MNL ASSY VRT HDR LF



TE Part #3-1419108-6
RTD34012F



TE Part #CB7843-000
RW-200-1-1/4-0-SP



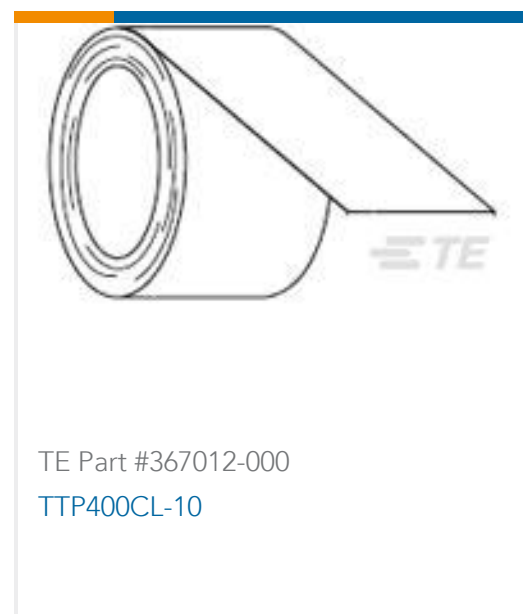
TE Part #7395470001
RPS-1K-400-1000/2.0-9



TE Part #151679
2 WAY M-N-L PIN HSG.NAT.



TE Part #151680
2 WAY MATE-N-LOK SOC HSG NAT.



Documents

Product Drawings

[AMPLIMITE IP67, SZ4, 90, 62 POS, RCPT](#)

English

CAD Files

[3D PDF](#)

3D

Customer View Model

[ENG_CVM_CVM_2221760-4_E.2d_dxf.zip](#)

English

Customer View Model

[ENG_CVM_CVM_2221760-4_E.3d_igs.zip](#)

English

Customer View Model

[ENG_CVM_CVM_2221760-4_E.3d_stp.zip](#)

English

By downloading the CAD file I accept and agree to the [Terms and Conditions](#) of use.

Datasheets & Catalog Pages

[IP67 Sealed AMPLIMITE](#)

English