

4

3

2

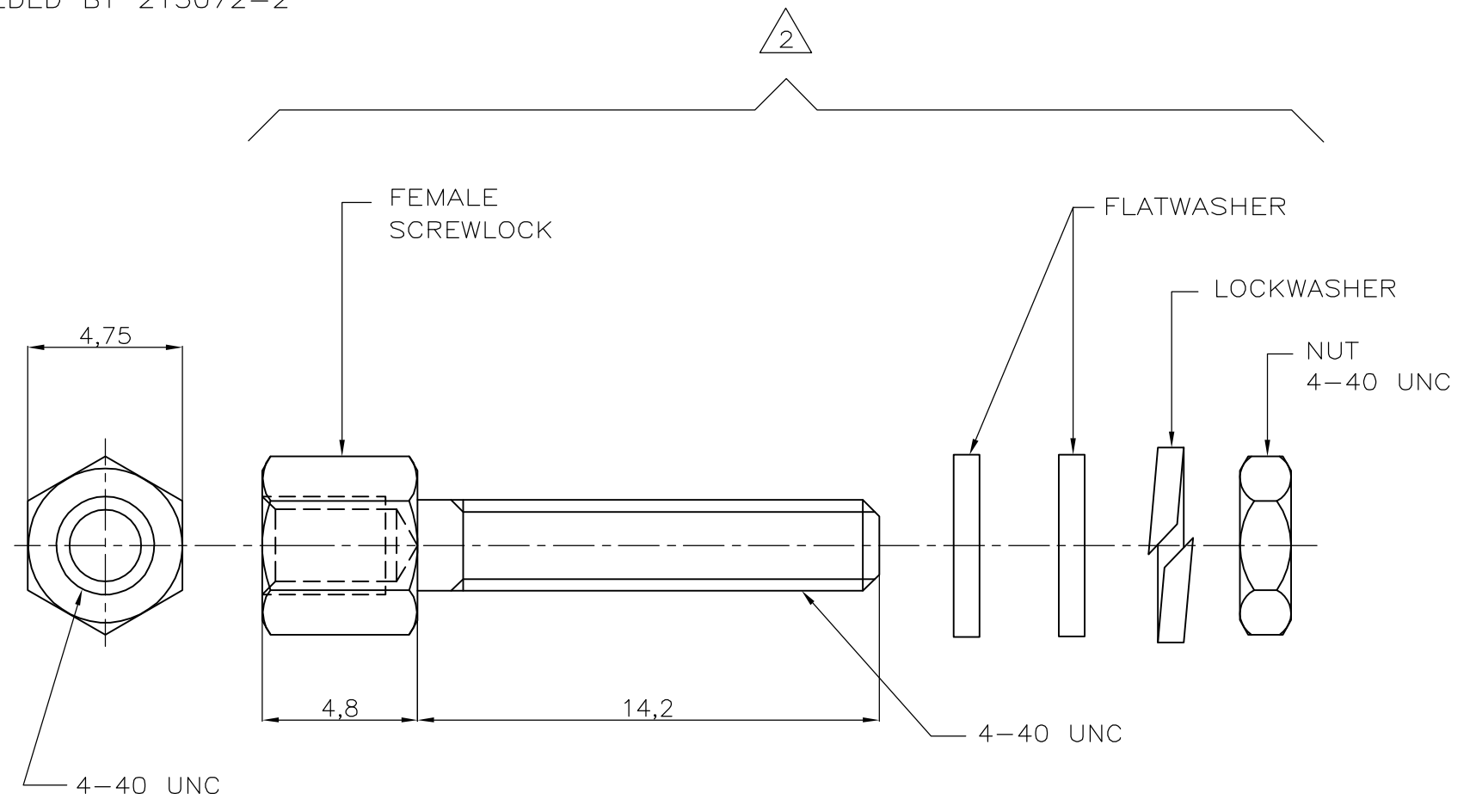
1

THIS DRAWING IS UNPUBLISHED. RELEASED FOR PUBLICATION  
 © COPYRIGHT - BY TYCO ELECTRONICS CORPORATION. ALL RIGHTS RESERVED.

LOC	DIST	REVISIONS					
H	-	P	LTR	DESCRIPTION	DATE	DWN	APVD
		B		ECR-06-020201	06-12-06	BSV	MK

NOTES:

- 1 PARTS PACKAGED UNASSEMBLED
- 2 THIS KIT CONTAINS TWO SCREWLOCK ASSEMBLIES
- 3 BULKPACKAGE CONSISTS OF 50 KITS  
PLEASE ORDER IN UNITS OF 50 KITS
- 4 FOR MOUNTING INSTRUCTIONS SEE I-042-087
- 5 215072-1 SUPERSEDED BY 215072-2



BULK PACKAGED	3	BRIGHT TINPLATED	215072-2
BULK PACKAGED	3	ZINC YELLOW CHROMATE	5 215072-1
DESCRIPTION		FINISH	MATERIAL
			PART NUMBER

THIS DRAWING IS A CONTROLLED DOCUMENT.		DWN	P.D.JAGER	10APR89	Tyco Electronics Corporation s-HertogenBosch, Nederland,			
DIMENSIONS: MM		CHK		19APR89				
TOLERANCES UNLESS OTHERWISE SPECIFIED:		APVD		05JUN89	NAME AMPLIMITE, KIT, FEMALE SCREWLOCK ASSEMBLY 4-40 UNC			
0 PLC ± - 1 PLC ± - 2 PLC ± - 3 PLC ± - 4 PLC ± - ANGLES ± -		PRODUCT SPEC						
MATERIAL		APPLICATION SPEC			SIZE	CAGE CODE	DRAWING NO	RESTRICTED TO
		WEIGHT			A3	00779	C-215072	
CUSTOMER DRAWING					SCALE	NTS	SHEET	1 OF 1
							REV	B