

FLASHING LIGHT 7.5 J Quadro F12-3G/3D ATEX



The Quadro F12 3G/3D flashing light is designed for tough demands under industrial conditions and is usable as a visual alarm. The flashing light, which is suitable for use both indoors and out, generates bright light impulses with a high attention-drawing effect.

- For use in potentially explosive areas in Zone 2 as per EN 60079-10 and Zone 22 as per EN 61241-10.
- The requirements of the EN 60079-0, EN 60079-15, EN 61241-0, EN 61241-0 (2007) and EN 61241-1 (2005) standards are fulfilled.
- Usable for gases in the temperature classes T1, T2, T3 and T4, as well as for non-conductive dusts, provided that the surface temperature of the equipment does not exceed +105 °C.



protection system



impact-proof housing



operating temperature



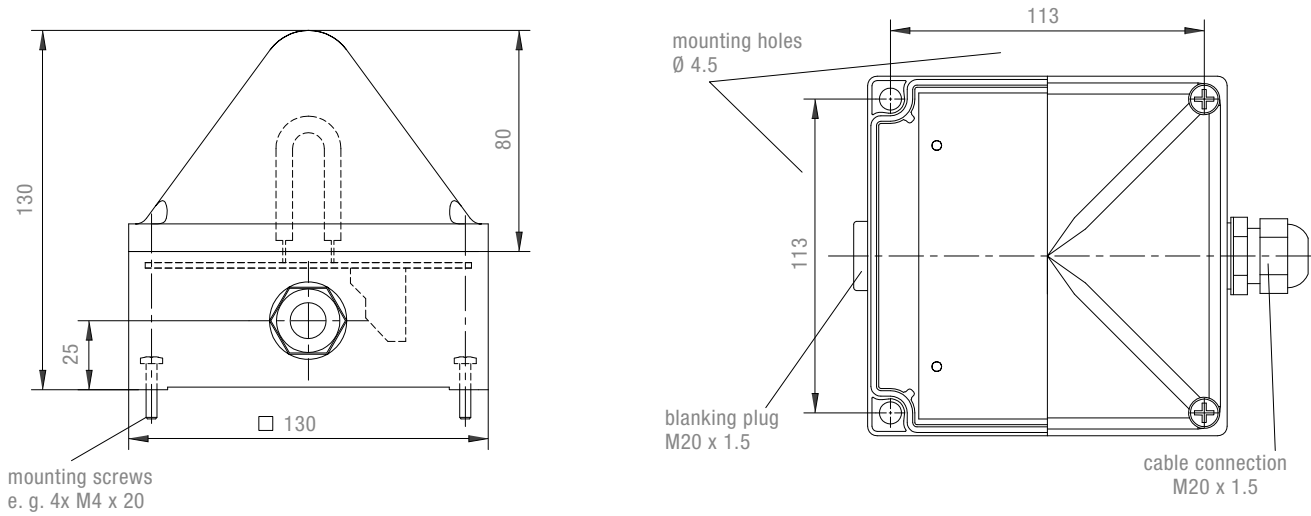
warranty



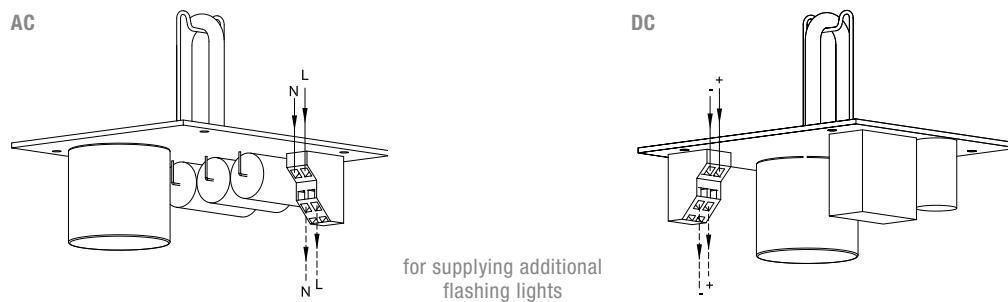
PRODUCT	Quadro F12-3G/3D ATEX		
Rated voltage	230 V AC 50 60 Hz	115 V AC 50 60 Hz	24 V DC
Operating range	195–253 V	95–127 V	18–30 V
Nominal current consumption	90 mA	140 mA	360 mA
Initial current limited to	<7 A / 150 µs	<7 A / 150 µs	<5 A / 2 ms
Explosion protection	II 3G Ex nR IIC T4 -20 °C ≤ Ta ≤ +45 °C II 3D Ex tD A22 IP66 T105 °C -20 °C ≤ Ta ≤ +45 °C		
Category (area of use)	3G (Zone 2) 3D (Zone 22)		
Conformity to standards	Guideline 94/9/EG (ATEX 100a)		
Testing body	Pfannenberg		
Special conditions	X: according to the requirements of prDIN EN 60 079-0, DIN EN 61241-0 (2007) and DIN EN 61241-1 (2005), the equipment is suitable for applications with a low degree of mechanical danger. It must therefore be ensured that the light is mounted with sufficient protection against impacts. A protective cage is not mandatory.		
Flash rate	0.83 Hz = 50 flashes/min		
Flash energy	7.5 J		
Light intensity (DIN 5037) ¹	84 cd		
Operating temperature	-20 °C ... +45 °C		
Storage temperature	-40 °C ... +70 °C		
Relative humidity	100 %		
Protection system (EN 60529)	IP 66/67; mounting arbitrary		
Impact resistance (EN 50102)	IK08		
Protection class	II		
Duty cycle	100 %		
Service life of the light source	light emission still 70 % after 8,000,000 flashes		
Material	lens	/ ● ● ● ● ● polycarbonate (PC)	
	housing	polycarbonate (PC), RAL 7035 (optionally RAL 3000)	
Connecting terminals	cage clamp terminal 0.08–2.5 mm ²		
Cable entry	2x M20 sideways (1x blanking plug, 1x cable connection)		
Weight	600 g		

¹ with a clear lens

DIMENSIONS



CONNECTION DIAGRAMS



ARTICLE NO.	Quadro F12-3G/3D ATEX	
Lens colour	230 V AC	24 V DC
	21041101008	21041801008
	21041103008	21041803008
	21041104008	21041804008
	21041105008	21041805008

Article numbers for other colours and voltages on request.

MANUFACTURER'S DECLARATION

We hereby declare that the explosion-protected means of alarm with the type designation **Quadro F12 3G/3D** has been developed and manufactured in accordance with the requirements as per EN 50014.

This declaration is based on compliance with the following regulations and standards:

DIN EN 60079-0	Electrical equipment for areas at risk of gas explosions – Part 0: General requirements
DIN EN 60079-15	Electrical equipment for areas at risk of explosions – Part 15: type of protection type “n”
DIN EN 61241-0	Electrical equipment for use in areas with combustible dust – General requirements
DIN EN 61241-1	Electrical equipment for use in areas with combustible dust – protection by enclosure “tD”
DIN EN 60598-1	Lights – Part 1: General requirements and tests
DIN EN 60947-1	Low-voltage switchgear – Part 1: General specifications
DIN EN 60529	Types of protection by enclosure (IP code)
DIN EN 50102	Types of protection by enclosure for electrical equipment against external mechanical stresses (IK code)
DIN EN 61000-6-2	Electromagnetic compatibility (EMC) – Part 6-2: Generic standards, noise immunity for industrial areas
DIN EN 61000-6-3	Electromagnetic compatibility (EMC) – Part 6-3: Generic standards, interference emission for residential areas, business and commercial areas as well as small companies
DIN EN 981	Machine safety – System of acoustic and visual alarm signals and information signals
ISO 11429	System of acoustic and visual alarm signals and information signals
UVV-BGV A3(VBG4)	Electrical plants and equipment
GSGV	German Appliance Safety Act

The Quadro F12 3G/3D flashing lights are approved for use in potentially explosive areas in Zones 2 and 22 as per 94/9/EU.