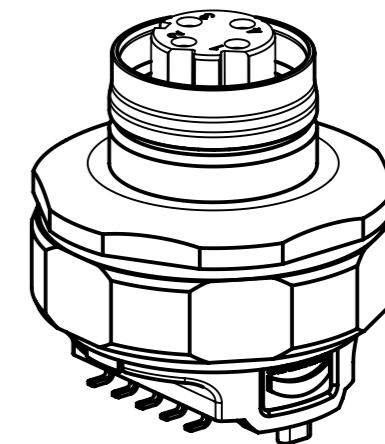
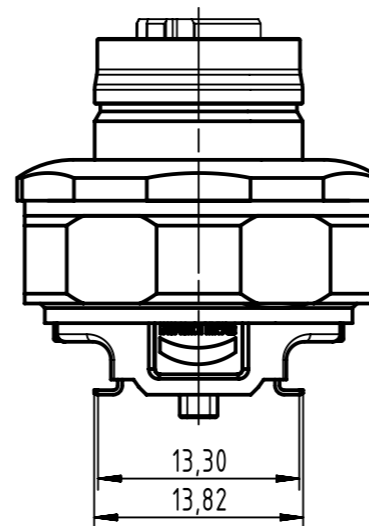
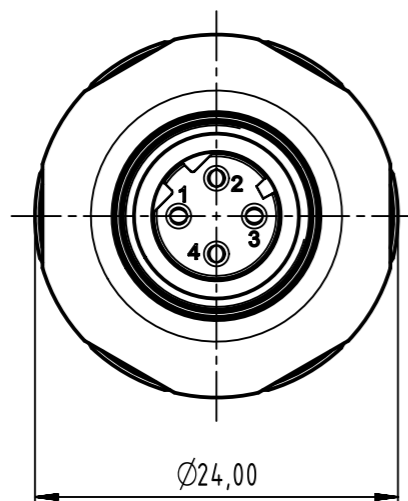


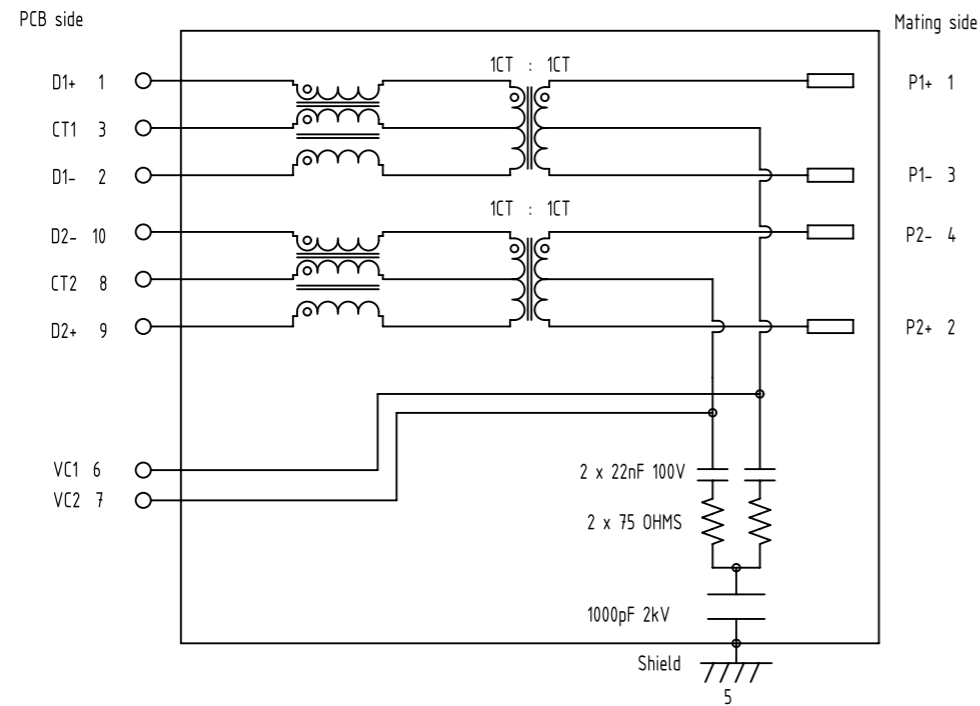
mating face based on
IEC 61076-2-101



1 PC Packaging
 Content: 1 x 21033812411
 M12 transformer straight D-coded 10/100 BASE-T
 1 x 21033012006
 Front mounting kits

	All rights reserved Department EL PD	All Dimensions in mm Original Size DIN A3			Scale 2:1	Free size tol.	Ref. Sub.
		Created by ZENGDO	Inspected by LUOK	Standardisation KOHLER	Date 2018-04-27	State Final Release	
HARTING Electronics GmbH D-32339 Espelkamp		Title M12 WITH MAGNETICS D-CODED STR POE+ FAST ETHERNET				Doc-Key / ECM-Nr. 100696795/UGD/004/B 500000134532	
		Type TB	Number 21033812421			Rev. B	Page 1/2

Schematic

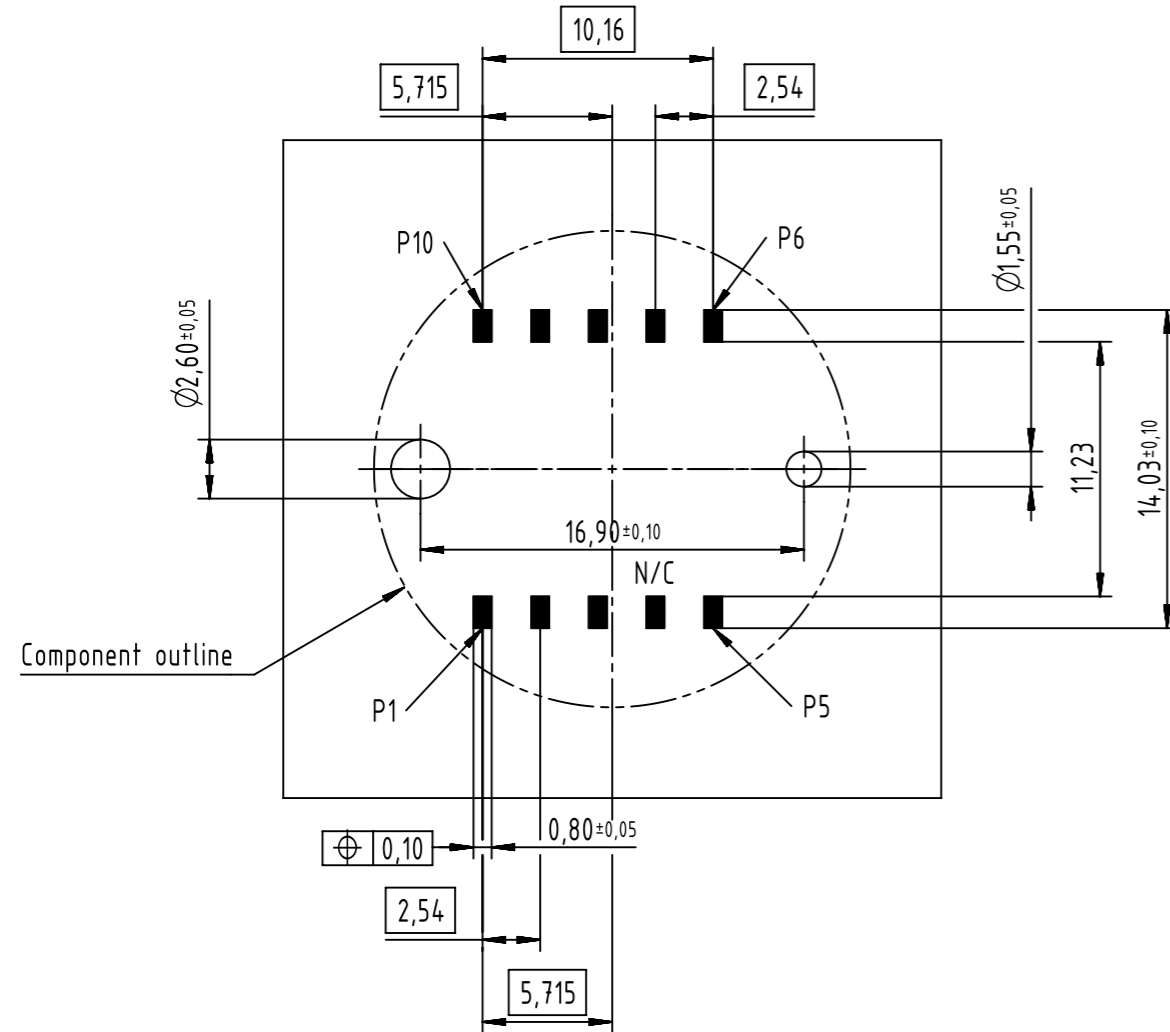


Electrical Characteristics @+25°C unless otherwise noted
 Meets IEEE802.3 specification
 RoHS compliant

Parameter	Specification/ Limit Values	
Operating Temperature	-40°C - +85°C	
Turn Ratio (+/- 2%)	1CT : 1CT	
Current Capacity Pins 1-8/ VC1-VC4	750mA DC	
OCL	min 350µH @ 100KHz , 100mV with 8mA bias current	
Isolation (Input- Output)	1.5kV VAC RMS , for 60sec. min	
Insertion Loss	$f \leq 0.3\text{MHz}$	$0.3\text{MHz} < f \leq 100\text{MHz}$
	-3dB max	$-0.6 - 0.002 * f^{1.25}$
Return Loss	$f \leq 10\text{MHz}$	$10\text{MHz} < f \leq 100\text{MHz}$
	-19dB min	$-19 + 10 * \log(f/10)$
Crosstalk	$f \leq 10\text{MHz}$	$10\text{MHz} < f \leq 100\text{MHz}$
	-40dB min	$-40 + 10 * \log(f/10)$
CMRR	$f \leq 10\text{MHz}$	$10\text{MHz} < f \leq 100\text{MHz}$
	-40dB min	$-40 + 20 * \log(f/10)$
CDMR	$f \leq 10\text{MHz}$	$10\text{MHz} < f \leq 100\text{MHz}$
	-45dB min	$-45 + 18 * \log(f/10)$

NOTE: f is the frequency in MHz

Recommended PCB Layout



N/C: leave pins open, not connect to GND or VCC

	All rights reserved	Created by ZENGDO	Inspected by LUOK	Standardisation KOHLER	Date 2018-04-27	State Final Release
	Department EL PD	Title M12 WITH MAGNETICS D-CODED STR POE+ FAST ETHERNET		Doc-Key / ECM-Nr. 100696795/UGD/004/B 500000134532		
HARTING Electronics GmbH D-32339 Espelkamp	Type TB	Number 21033812421		Rev. B	Page 2/2	

Mouser Electronics

Authorized Distributor

Click to View Pricing, Inventory, Delivery & Lifecycle Information:

[HARTING:](#)

[21033812421](#)