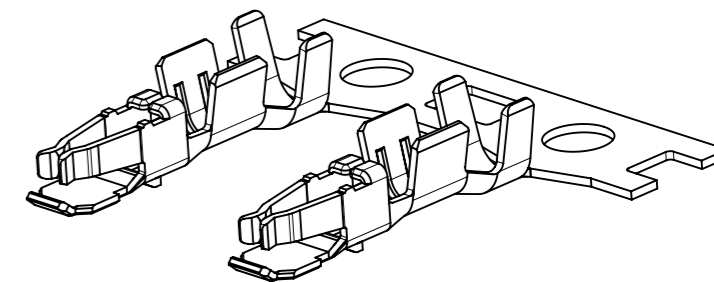
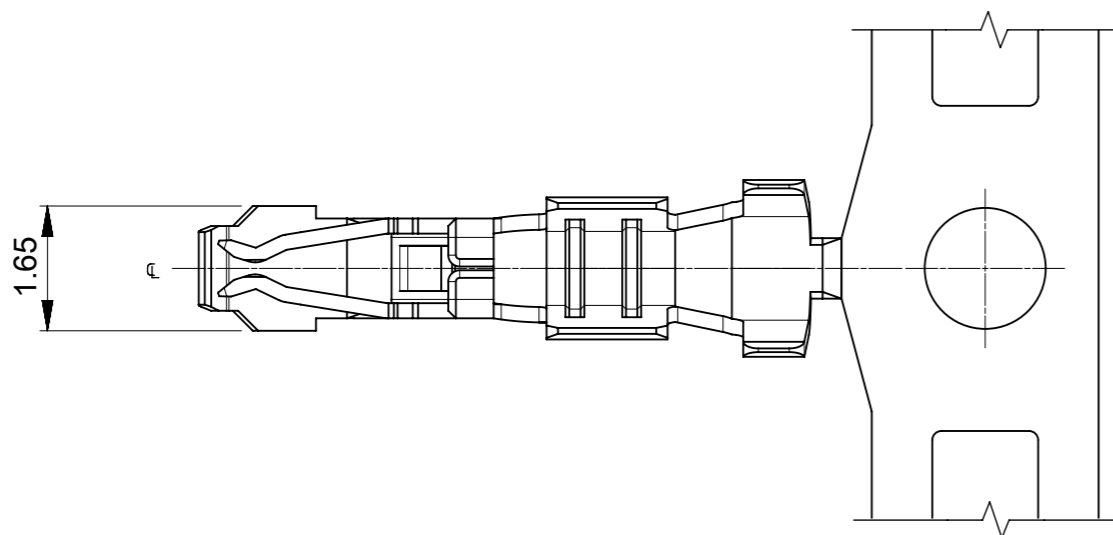
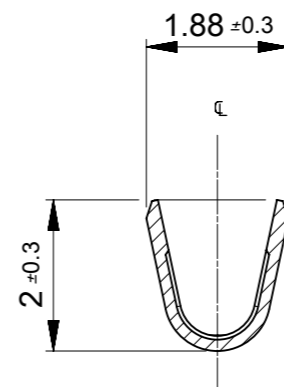
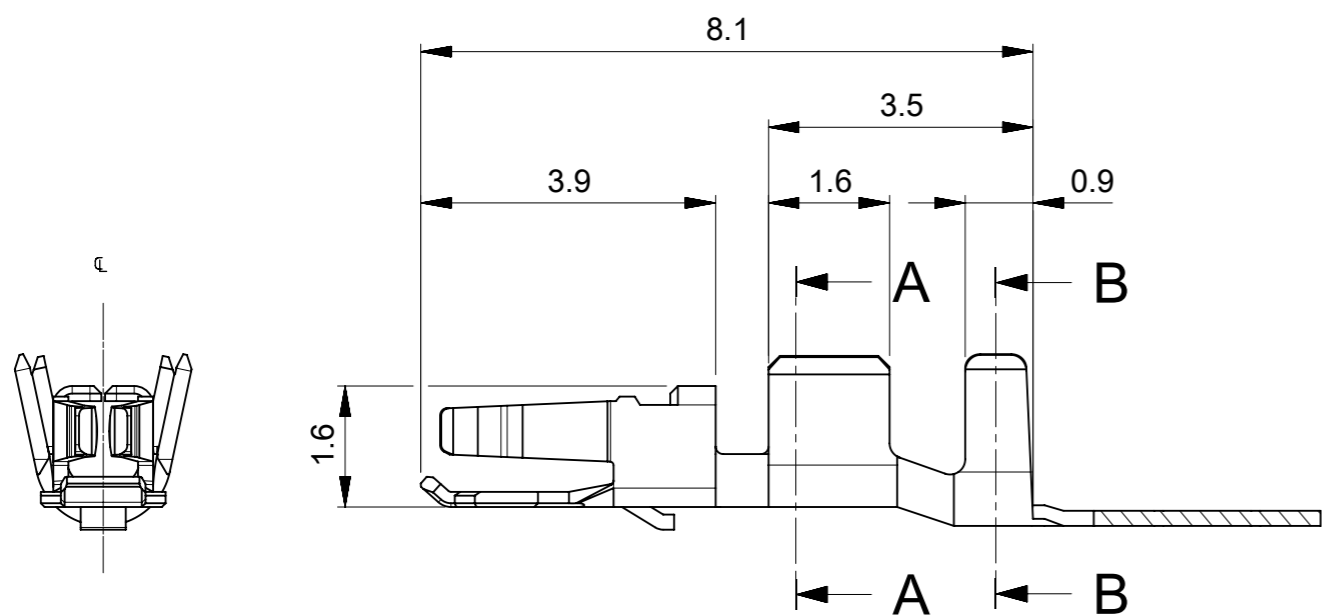


2053425028
AWG #20-22

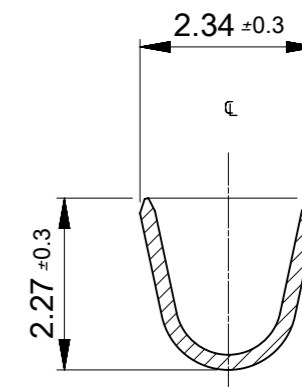


NOTES

- △1 材質及び仕上げ（めっき仕様）：TABLE 1参照
MATERIAL AND FINISHES: SEE TABLE 1
- △2 適用製品及び各種仕様書はSHEET 3を参照のこと
REFER TO SHEET 3 ABOUT APPLICABLE PRODUCTS
AND VARIOUS SPECIFICATIONS.



SECTION A-A



SECTION B-B

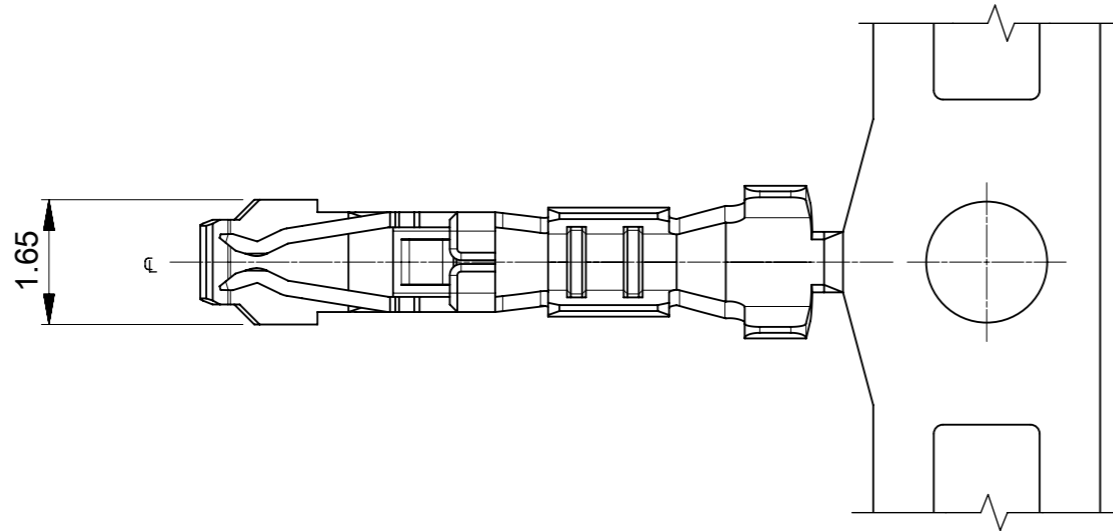
△1 TABLE 1

Ø0.85-1.3 mm	AWG #24-26	2053425128	CHAIN
Ø1.2-1.5 mm	AWG #20-22	2053425028	
INS RANGE	WIRE RANGE	ORDER NO	FORM
梱包状態：リール PACKAGING：REEL			

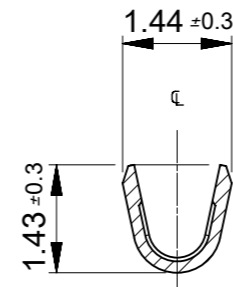
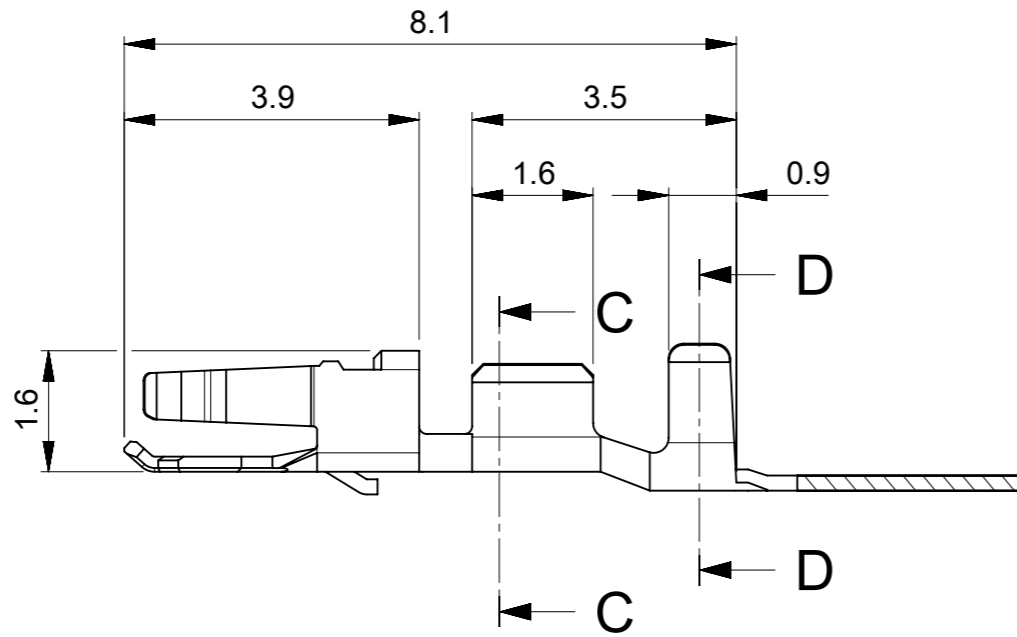
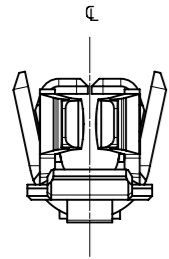
THIS DRAWING CONTAINS INFORMATION THAT IS PROPRIETARY TO MOLEX ELECTRONIC TECHNOLOGIES, LLC AND SHOULD NOT BE USED WITHOUT WRITTEN PERMISSION									
DIMENSION UNITS		SCALE		CURRENT REV DESC:					
mm		NTS		<p style="text-align: center;">molex</p> <p style="text-align: center;">PICO-LOCK 2.0 REC CRIMP TERM GOLD PLATING</p> <p style="text-align: center;">PRODUCT CUSTOMER DRAWING</p>					
GENERAL TOLERANCES (UNLESS SPECIFIED)									
ANGULAR TOL ± 3.0°									
4 PLACES ± 0.2									
3 PLACES ± 0.2									
2 PLACES ± 0.2									
1 PLACE ± 0.2									
0 PLACES ± 0.2				EC NO: 632449		2019/10/17		DOCUMENT NUMBER	
DRAFT WHERE APPLICABLE MUST REMAIN WITHIN DIMENSIONS				THIRD ANGLE PROJECTION		DRAWING		SERIES	
DRWN: QHE31		2019/10/17		APPR: KOMURAKAMI		2020/02/19		2053420000-SD	
DRWN: QHE31		2020/02/19		APPR: KOMURAKAMI		2020/02/19		PSD 000 A	
MATERIAL NUMBER		CUSTOMER		SHEET NUMBER					
SEE CHART		GENERAL		1 OF 3					

部品 PART	材質 MATERIAL	
ターミナル TERMINAL	銅合金 COPPER ALLOY	
	接点部 CONTACT	金めっき 0.1 micro-meters MIN GOLD PLATING 0.1 micro-meters MIN
	下地めっき UNDER PLATING	ニッケルめっき(下地) 1.0 micro-meter MIN NICKEL (UNDER PLATING) 1.0 micro-meter MIN
DOCUMENT STATUS	P1	RELEASE DATE 2020/02/19 09:01:38

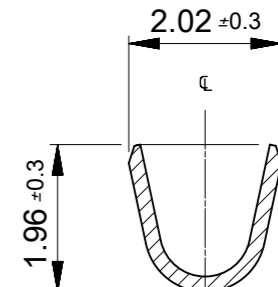
2053425128
AWG #24-26



3. 2053425028 と2053425128のめっき仕様は共通。
BOTH 2053425028 AND 2053425128 ARE APPLIED WITH THE SAME PLATING.



SECTION C-C



SECTION D-D

THIS DRAWING CONTAINS INFORMATION THAT IS PROPRIETARY TO MOLEX ELECTRONIC TECHNOLOGIES, LLC AND SHOULD NOT BE USED WITHOUT WRITTEN PERMISSION									
DIMENSION UNITS		SCALE		CURRENT REV DESC:				molex	
mm		NTS							
GENERAL TOLERANCES (UNLESS SPECIFIED)				EC NO: 632449				PICO-LOCK 2.0 REC CRIMP TERM	
ANGULAR TOL ± 3.0°				DRWN: QHE31 2019/10/17				GOLD PLATING	
4 PLACES ± 0.2				CHK'D: SAKIYAMA 2020/02/19				PRODUCT CUSTOMER DRAWING	
3 PLACES ± 0.2				APPR: KOMURAKAMI 2020/02/19				DOCUMENT NUMBER	
2 PLACES ± 0.2				INITIAL REVISION:				2053420000-SD	
1 PLACE ± 0.2				DRWN: QHE31 2019/10/17				DOC TYPE	
0 PLACES ± 0.2				APPR: KOMURAKAMI 2020/02/19				PSD	
DRAFT WHERE APPLICABLE MUST REMAIN WITHIN DIMENSIONS		THIRD ANGLE PROJECTION		DRAWING		SERIES		REVISION	
		A3-SIZE		205342		GENERAL		A	
MATERIAL NUMBER		CUSTOMER		SHEET NUMBER					
SEE CHART		GENERAL		2 OF 3					

△ 適用製品及び各種仕様書
 APPLICABLE PRODUCTS AND VARIOUS SPECIFICATIONS

梱包仕様書 PACKAGING SPECIFICATION	PART NUMBER	DOCUMENT NUMBER
	2053425028	2053429200-SPK PS 200
	2053425128	

適用ハウジング APPLICABLE HOUSING	SINGLE TYPE
シリーズ番号 SERIES No.	205341

適合嵌合相手 MATE WITH	SMT
	GOLD PLATING
シリーズ番号 SERIES No.	RIGHT ANGLE
	205338
製品仕様書 PRODUCT SPECIFICATION	2053410000-PS PS 000
アプリケーション仕様書 APPLICATION SPECIFICATION	2053410000-AS PS 000

THIS DRAWING CONTAINS INFORMATION THAT IS PROPRIETARY TO MOLEX ELECTRONIC TECHNOLOGIES, LLC AND SHOULD NOT BE USED WITHOUT WRITTEN PERMISSION										
DIMENSION UNITS	SCALE	CURRENT REV DESC:				molex				
mm	NTS									
GENERAL TOLERANCES (UNLESS SPECIFIED)		EC NO: 632449 DRWN: QHE31 2019/10/17 CHK'D: SAKIYAMA 2020/02/19 APPR: KOMURAKAMI 2020/02/19 INITIAL REVISION: DRWN: QHE31 2019/10/17 APPR: KOMURAKAMI 2020/02/19				PICO-LOCK 2.0 REC CRIMP TERM GOLD PLATING				
ANGULAR TOL	± 3.0 °					PRODUCT CUSTOMER DRAWING				
4 PLACES	± 0.2					DOCUMENT NUMBER		DOC TYPE	DOC PART	REVISION
3 PLACES	± 0.2					2053420000-SD		PSD	000	A
2 PLACES	± 0.2					MATERIAL NUMBER		CUSTOMER		SHEET NUMBER
1 PLACE	± 0.2					205342		GENERAL		3 OF 3
0 PLACES	± 0.2	DRAWING		SERIES		DATE				
DRAFT WHERE APPLICABLE MUST REMAIN WITHIN DIMENSIONS		THIRD ANGLE PROJECTION	DRAWING	SERIES	MATERIAL NUMBER		CUSTOMER		SHEET NUMBER	
			A3-SIZE	205342					3 OF 3	