

204506-1 ✓ ACTIVE

AMPLIMITE

TE Internal #: 204506-1

Box Mount D-Sub Connectors, Receptacle, Cable-to-Cable, 62
Position, Size 4, Socket, Size 22, .09 in [2.29 mm] Centerline, Wire &
Cable, Signal

[View on TE.com >](#)



Connectors > D-Shaped Connectors > D-Sub Connectors > Box Mount D-Sub Connectors



Connector & Housing Type: **Receptacle**

Connector System: **Cable-to-Cable**

Number of Positions: **62**

Power/Signal/Coax Combination: **No**

D-Sub Shell Size: **4**

Features

Product Type Features

Product Type	Connector
Connector & Housing Type	Receptacle
Connector System	Cable-to-Cable
D-Sub Shell Size	4
Sealable	No
Connector & Contact Terminates To	Wire & Cable
Blindmate	No

Configuration Features

Number of Positions	62
Power/Signal/Coax Combination	No

Body Features

Retention Clip Material	Stainless Steel
Shell Plating Material	Cadmium
Shell Material	Steel
Non-Magnetic	No

Contact Features

Contact Type	Socket
D-Sub Contact Size	22



Contact Current Rating (Max)	5 A
------------------------------	-----

Mechanical Attachment

Mounting Hole Diameter	3.05 mm[.12 in]
------------------------	-----------------

Housing Features

Centerline (Pitch)	2.29 mm[.09 in]
--------------------	-----------------

Usage Conditions

Operating Temperature Range	-55 – 125 °C[-67 – 257 °F]
-----------------------------	----------------------------

Operation/Application

ULTRA-LITE Connector	No
----------------------	----

Circuit Application	Signal
---------------------	--------

Industry Standards

NASA Qualification	No
--------------------	----

Packaging Features

Packaging Method	Carton
------------------	--------

Other

Comment	"F" is stamped on connectors following M24308 part number as required. "F" designates cadmium shell plating., Size 22 sockets supplied with receptacles are loose piece.
---------	--

Product Compliance

[For compliance documentation, visit the product page on TE.com>](#)

EU RoHS Directive 2011/65/EU	Not Compliant
------------------------------	---------------

EU ELV Directive 2000/53/EC	Not Compliant
-----------------------------	---------------

China RoHS 2 Directive MIIT Order No 32, 2016	Restricted Materials Above Threshold
---	--------------------------------------

EU REACH Regulation (EC) No. 1907/2006	Current ECHA Candidate List: JAN 2022 (223) Candidate List Declared Against: JAN 2021 (211) SVHC > Threshold: Cd (5.13% in Component)
--	--

Article Safe Usage Statements:

Use personal protective equipment as required. Do not eat, drink or smoke when using this product. Recycle if possible and dispose of the article by following all applicable governmental regulations relevant to your geographic location.

Halogen Content	BFR/CFR/PVC Free, but Br/Cl >900 ppm in other sources.
-----------------	--

Solder Process Capability

Pin-in-Paste capable to 260°C

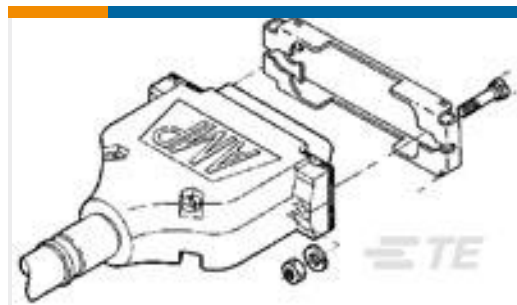
Product Compliance Disclaimer

This information is provided based on reasonable inquiry of our suppliers and represents our current actual knowledge based on the information they provided. This information is subject to change. The part numbers that TE has identified as EU RoHS compliant have a maximum concentration of 0.1% by weight in homogenous materials for lead, hexavalent chromium, mercury, PBB, PBDE, DBP, BBP, DEHP, DIBP, and 0.01% for cadmium, or qualify for an exemption to these limits as defined in the Annexes of Directive 2011/65/EU (RoHS2). Finished electrical and electronic equipment products will be CE marked as required by Directive 2011/65/EU. Components may not be CE marked. Additionally, the part numbers that TE has identified as EU ELV compliant have a maximum concentration of 0.1% by weight in homogenous materials for lead, hexavalent chromium, and mercury, and 0.01% for cadmium, or qualify for an exemption to these limits as defined in the Annexes of Directive 2000/53/EC (ELV). Regarding the REACH Regulation, the information TE provides on SVHC in articles for this part number is based on the latest European Chemicals Agency (ECHA) 'Guidance on requirements for substances in articles' posted at this URL: <https://echa.europa.eu/guidance-documents/guidance-on-reach>

Customers Also Bought



TE Part #204502-1
RECEPT ASSY,26 POSN,AMPLIMITE



TE Part #5745583-1
UNIV SLIDLTCH KIT SZ 2



TE Part #YDTS26W15-05BNV001
PLUG ASSY



TE Part #YDTS26W17-35SCV001
D38999: Straight Plug, 17-35 Insert



TE Part #YDTS20W11-35SAV001
RECP ASSY



TE Part #YDTS26F11-02SNV001
PLUG ASSY



TE Part #YDTS26W13-35SBV001
PLUG ASSY



TE Part #YDTS26W21-35SBV001
PLUG ASSY



TE Part #59275
T-HEAD PIDG PG SH 26-20 ASSY

Documents

Product Drawings

RECEPT ASSY,62 POSN,AMPLIMITE

English



CAD Files

3D PDF

3D

Customer View Model

[ENG_CVM_CVM_204506-1_AC.2d_dxf.zip](#)

English

Customer View Model

[ENG_CVM_CVM_204506-1_AC.3d_igs.zip](#)

English

Customer View Model

[ENG_CVM_CVM_204506-1_AC.3d_stp.zip](#)

English

By downloading the CAD file I accept and agree to the [Terms and Conditions](#) of use.

Datasheets & Catalog Pages

[1308940_Sec8_amplimite](#)

English

Instruction Sheets

[Instruction Sheet \(U.S.\)](#)

English

Agency Approvals

[UL Report](#)

English