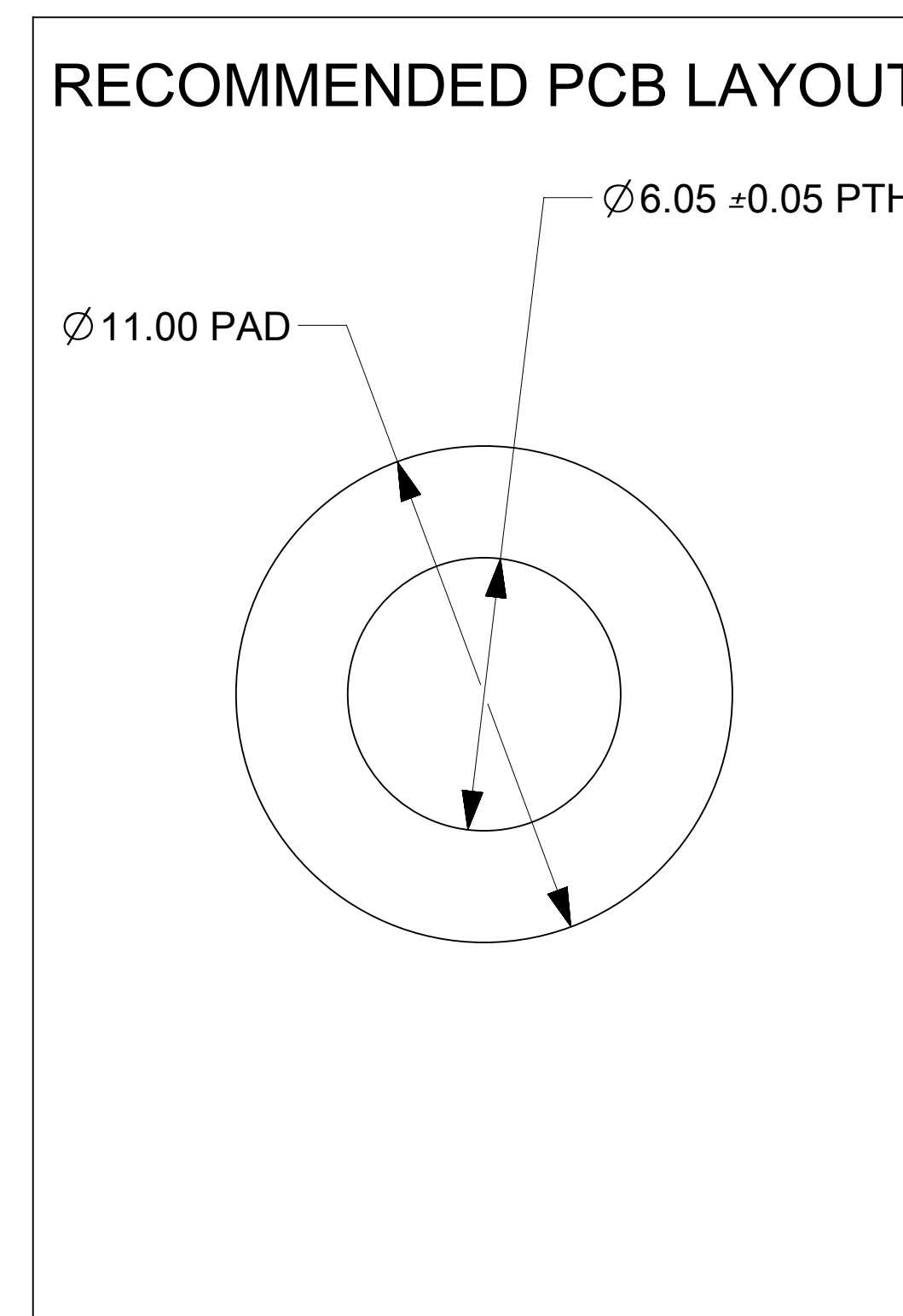
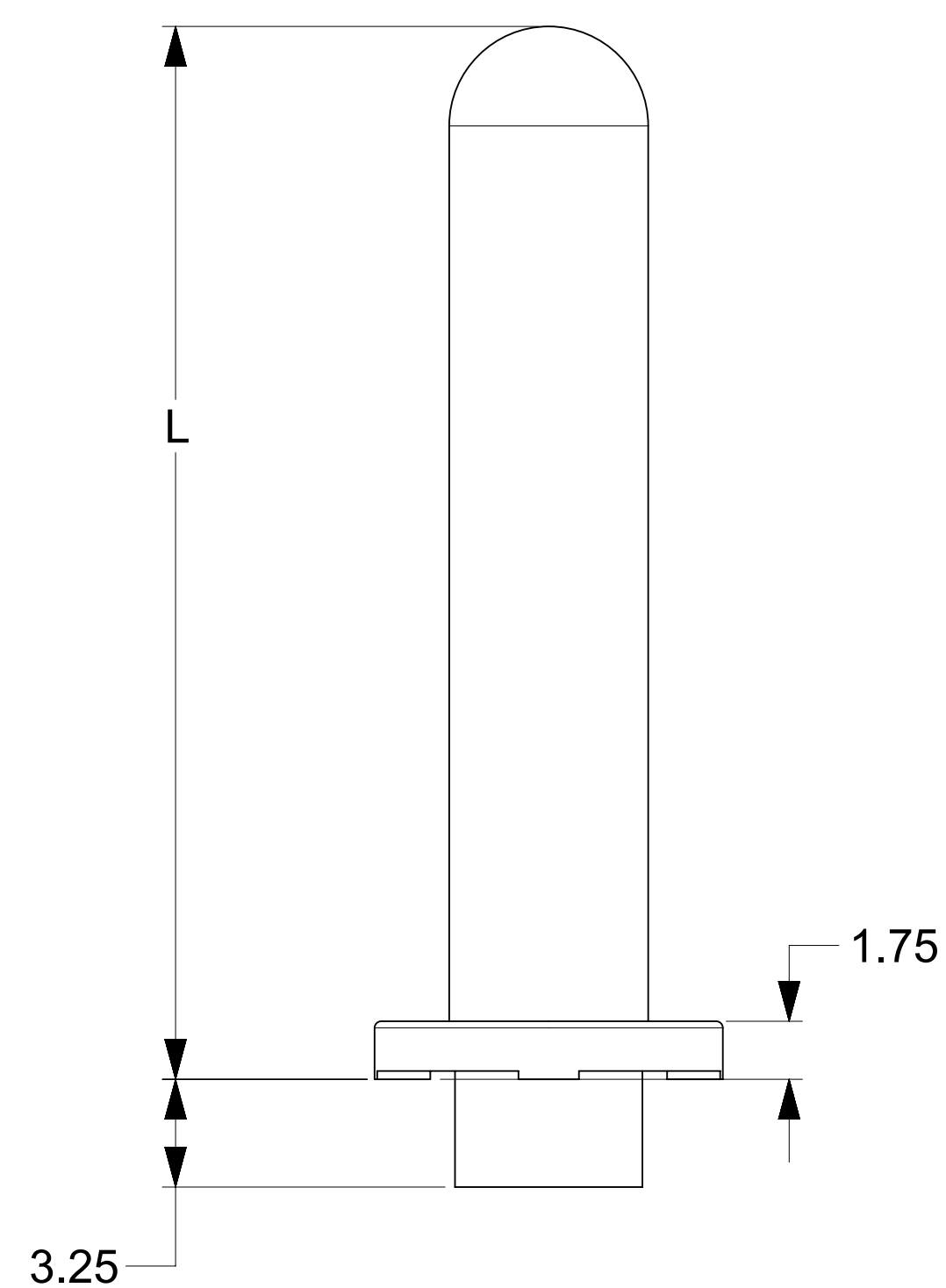
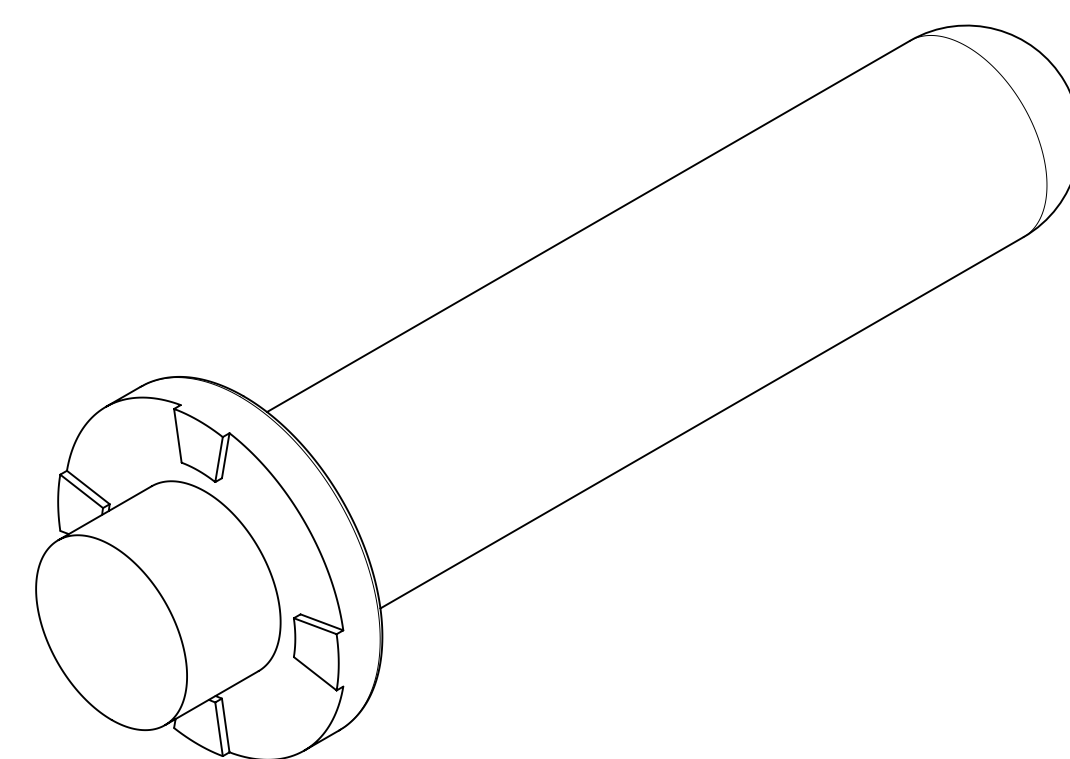
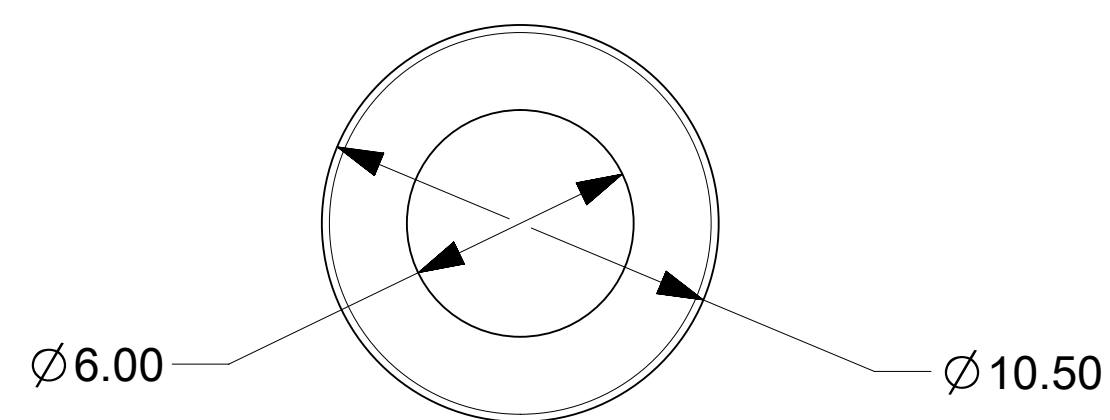


PART NUMBER	DIMENSION "L"
203263-0106	26.00
203263-0116	20.00
203263-0126	14.00
203263-0136	31.75
203263-0146	29.50



NOTES:

1. MATERIALS:
 BASE METAL: HIGH CONDUCTIVE COPPER ALLOY
 PLATING ON BODY: 3.18 MICRON MIN SILVER OVER 1.27 MICRON MIN NICKEL
2. PRODUCT SPECIFICATION: 2043130006-PS
3. APPLICATION SPECIFICATION: 2043130006-AS
4. PACKAGING SPECIFICATION: 2032630006-PK
5. SILVER COMPONENTS WILL BE SUPPLIED TARNISH FREE
 BUT MAY TARNISH OVER TIME
6. MINIMUM RECOMMENED PCB THICKNESS 1.58MM

THIS DRAWING CONTAINS INFORMATION THAT IS PROPRIETARY TO MOLEX ELECTRONIC TECHNOLOGIES, LLC AND SHOULD NOT BE USED WITHOUT WRITTEN PERMISSION									
DIMENSION UNITS mm		SCALE 5:1		CURRENT REV DESC: PLATING SPEC UPDATED				molex	
GENERAL TOLERANCES (UNLESS SPECIFIED)				EC NO: 620425					
ANGULAR TOL ± 0.5°		4 PLACES ±		DRWN: RLOW		2019/06/21		6.0MM CST STD (SMT), MALE PIN	
3 PLACES ±		2 PLACES ± 0.15		CHK'D: BPISZCZOR		2019/07/23		PRODUCT CUSTOMER DRAWING	
1 PLACE ± 0.25		0 PLACES ±		APPR: BPISZCZOR		2019/07/23		DOCUMENT NUMBER	
DRAFT WHERE APPLICABLE MUST REMAIN WITHIN DIMENSIONS		THIRD ANGLE PROJECTION		DRAWING		SERIES		MATERIAL NUMBER	
				D-SIZE		203263		2032630136-SD	
								CUSTOMER	
								GENERAL MARKET	
								SHEET NUMBER	
								1 OF 1	