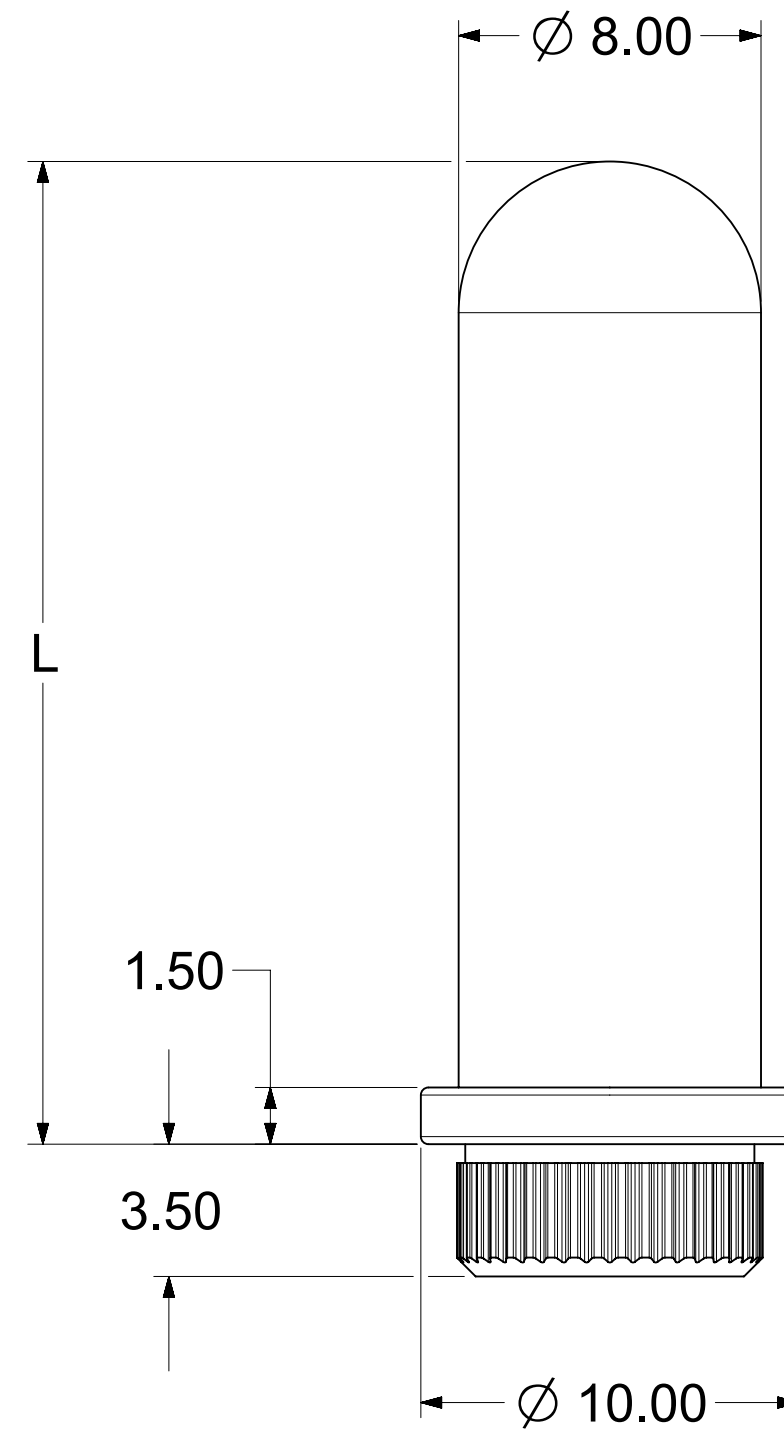
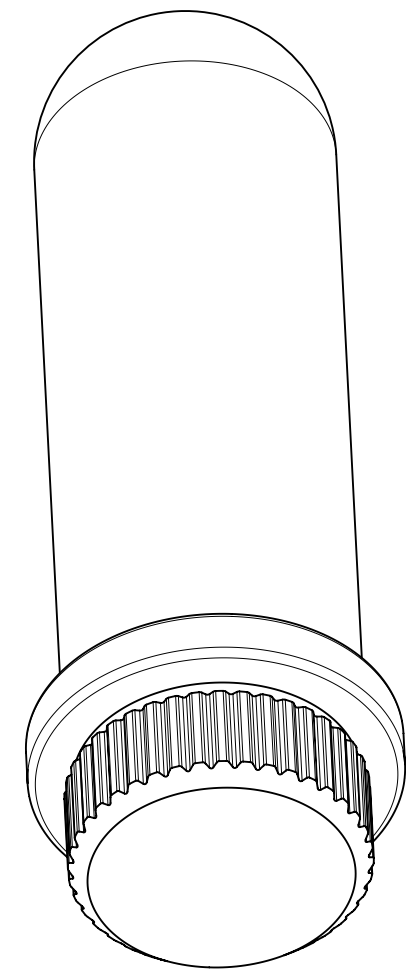
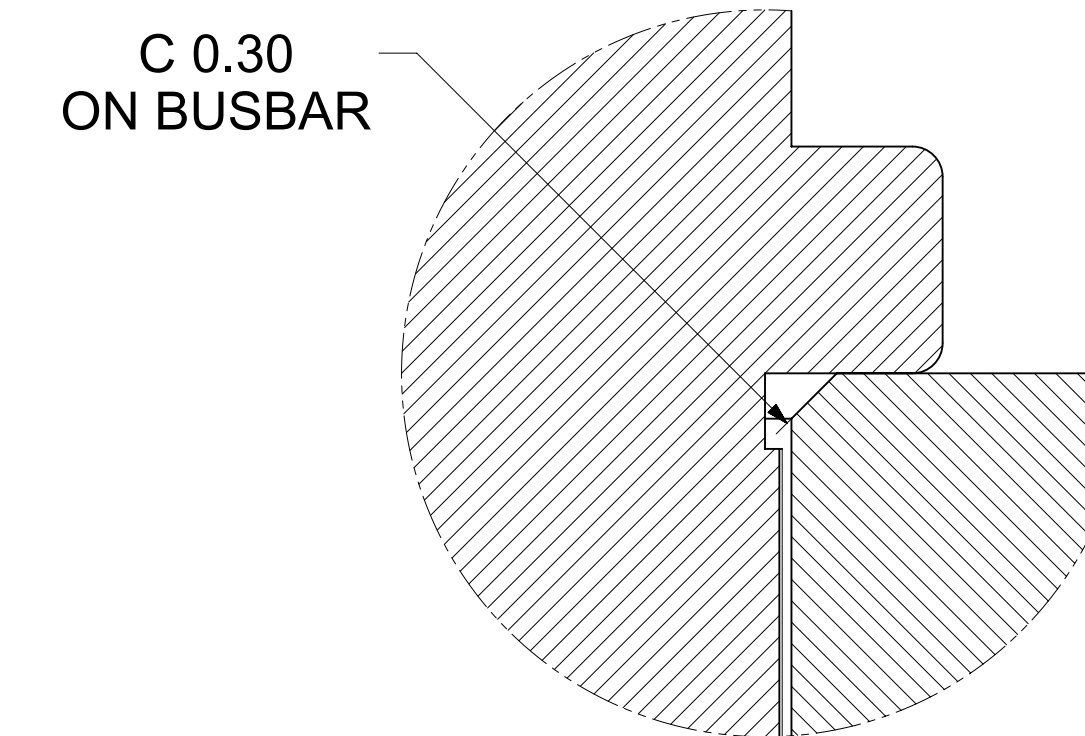
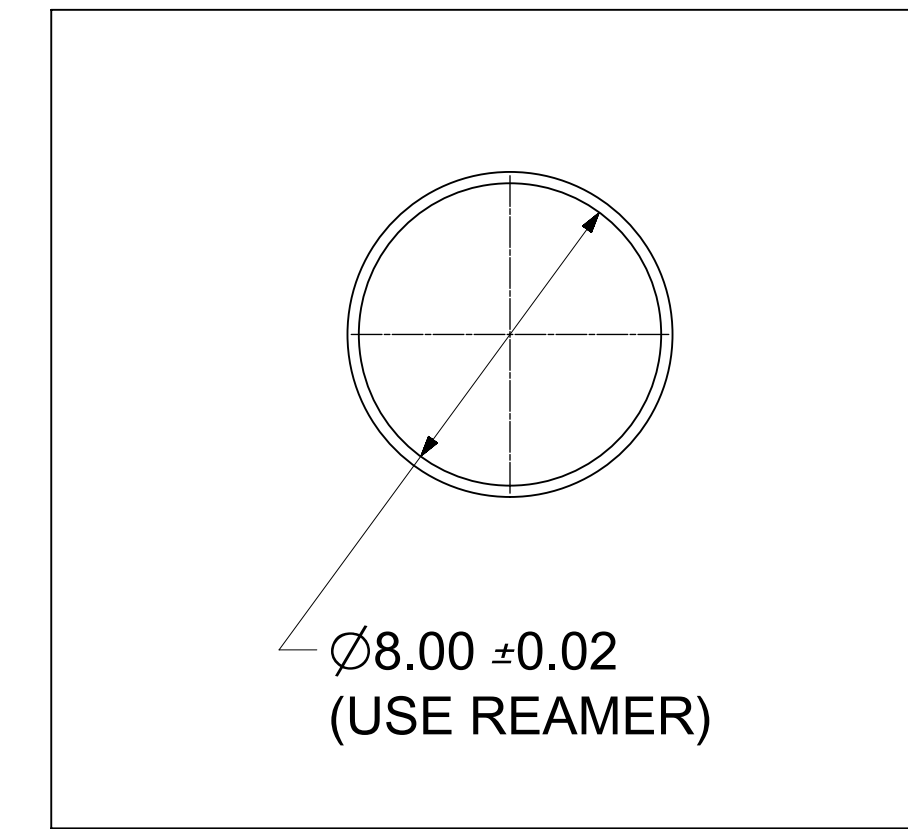


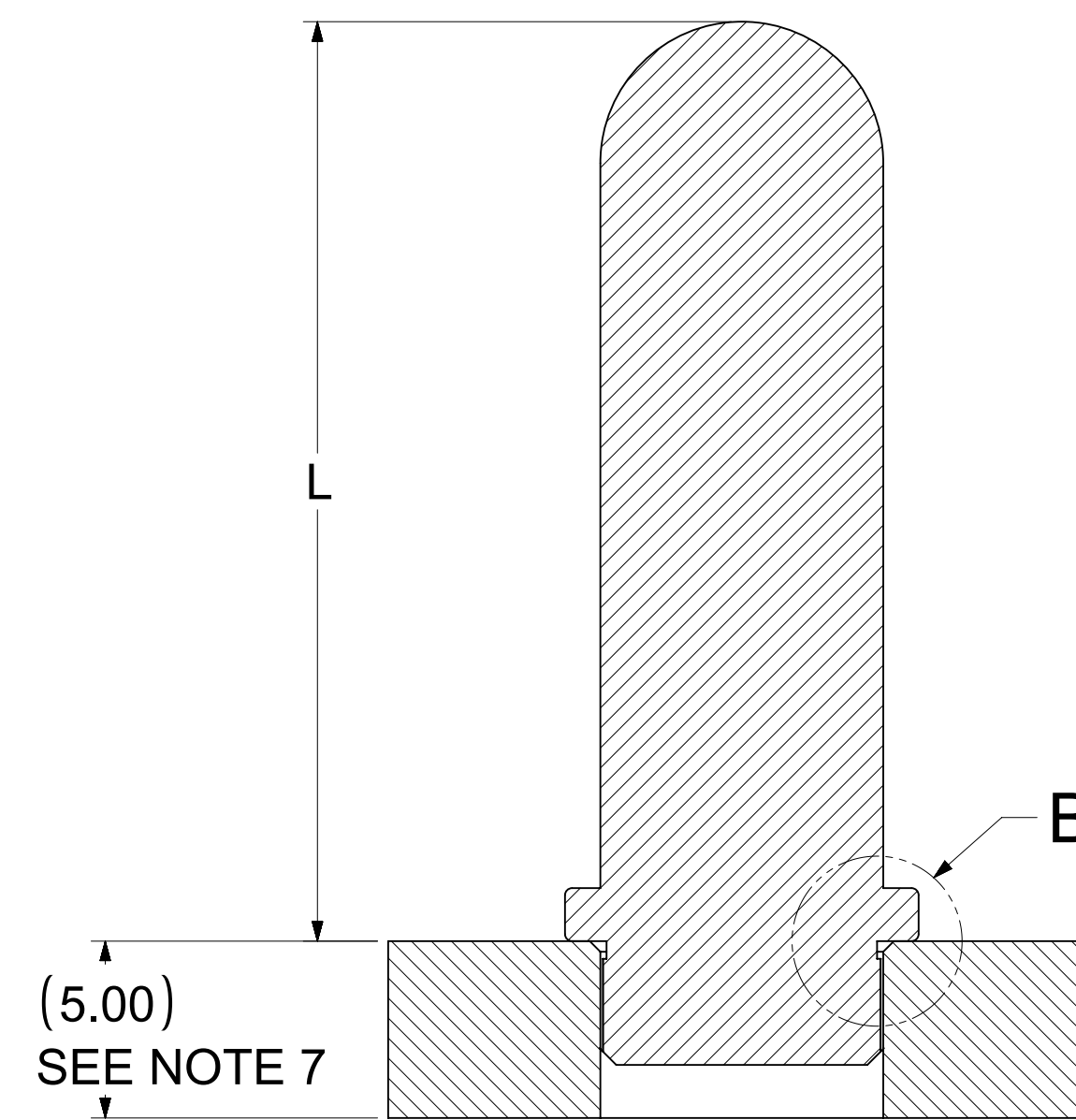
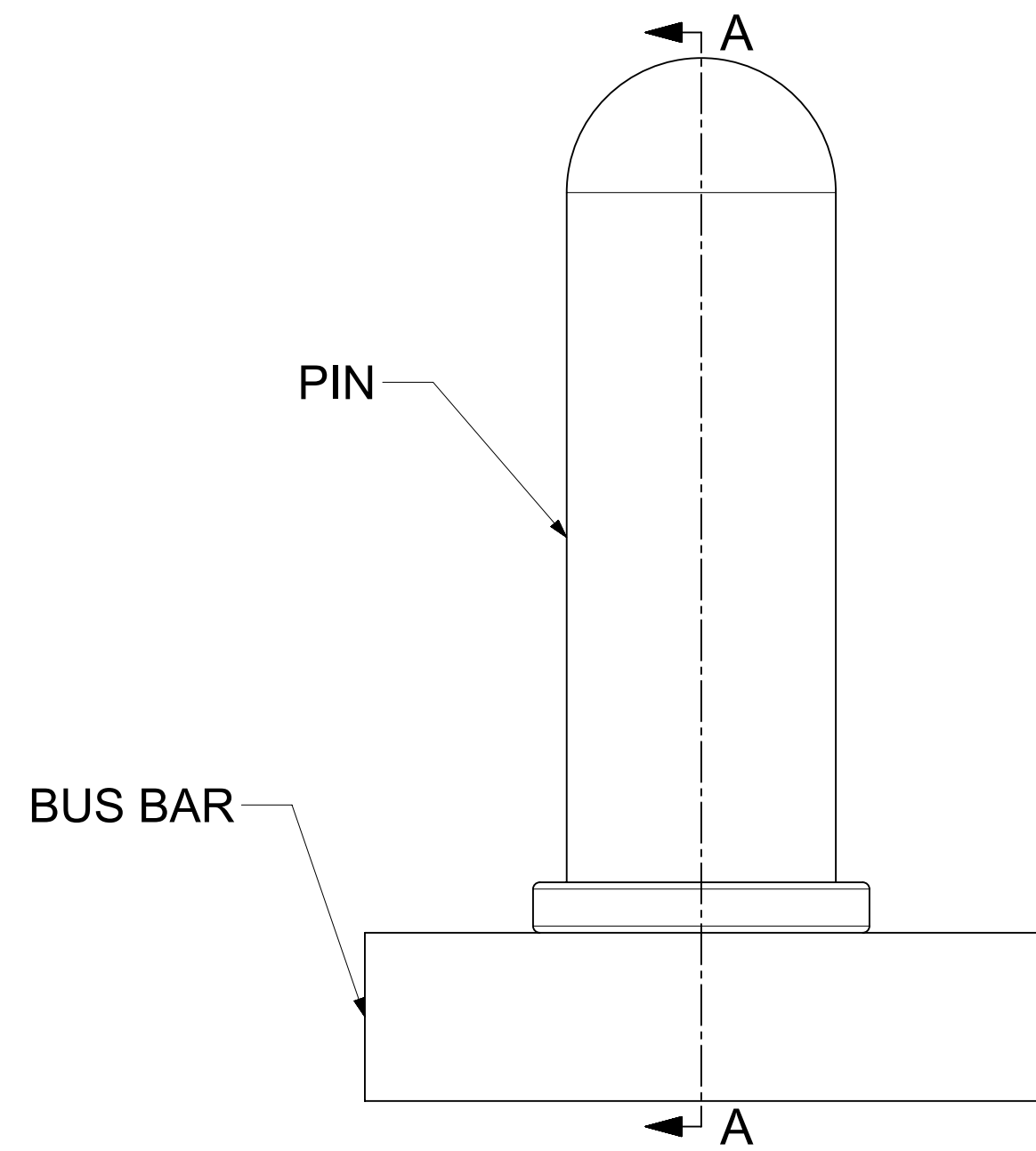
PART NUMBER	DIMENSION L
203263-0011	16.0
203263-0001	26.0
203263-0031	36.0
203263-0041	46.0



### HOLE REQUEST ON BUS BAR



DETAIL B  
SCALE 20:1



SECTION A-A

**NOTES:**

- MATERIALS:**  
BASE METAL: HIGH CONDUCTIVE COPPER ALLOY  
PLATING ON BODY: 3.18 MICRON MIN SILVER OVER 1.27 MICRON MIN NICKEL
- PRODUCT SPECIFICATION: 2043130001-PS
- APPLICATION SPECIFICATION: 2043130001-AS
- PACKAGING SPECIFICATION: 2032630006-PK
- SILVER COMPONENTS WILL BE SUPPLIED TARNISH FREE BUT MAY TARNISH OVER TIME.
- MINIMUM RECOMMENDED BUSBAR THICKNESS IS 1.5MM

THIS DRAWING CONTAINS INFORMATION THAT IS PROPRIETARY TO MOLEX ELECTRONIC TECHNOLOGIES, LLC AND SHOULD NOT BE USED WITHOUT WRITTEN PERMISSION

DIMENSION UNITS	SCALE	CURRENT REV DESC: SPEC UPDATE		<b>molex</b>			
mm	NTS						
GENERAL TOLERANCES (UNLESS SPECIFIED)				PRODUCT CUSTOMER DRAWING			
ANGULAR TOL	± 0.5°	EC NO: 621362		DOCUMENT NUMBER			
4 PLACES	±	DRWN: FCSOO 2018/09/30		DOC TYPE			
3 PLACES	±	CHK'D: BPISZCZOR 2019/07/25		DOC PART			
2 PLACES	± 0.15	APPR: BPISZCZOR 2019/07/25		REVISION			
1 PLACE	± 0.25	INITIAL REVISION:		2032630001-SD			
0 PLACES	±	DRWN: TOMLU 2017/04/20		PSD			
DRAFT WHERE APPLICABLE MUST REMAIN WITHIN DIMENSIONS		APPR: JJONIAK 2018/06/14		000			
THIRD ANGLE PROJECTION		DRAWING		A1			
D-DRAWING		SERIES		SHEET NUMBER			
D-D-SIZE		203263		1 OF 1			
MATERIAL NUMBER		CUSTOMER		SEE TABLE			
GENERAL MARKET							