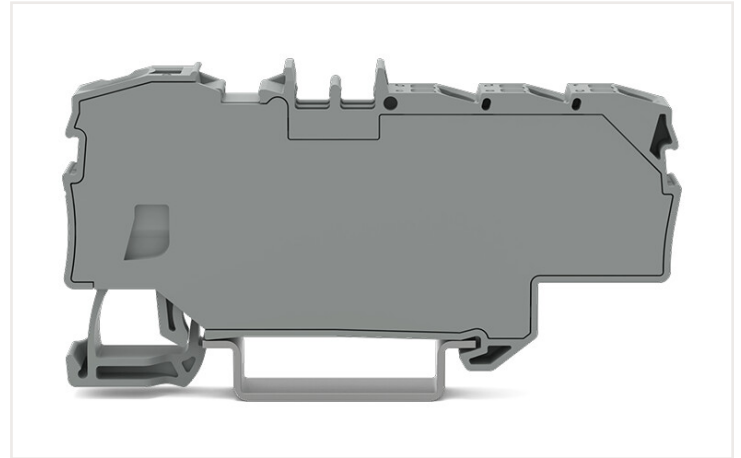
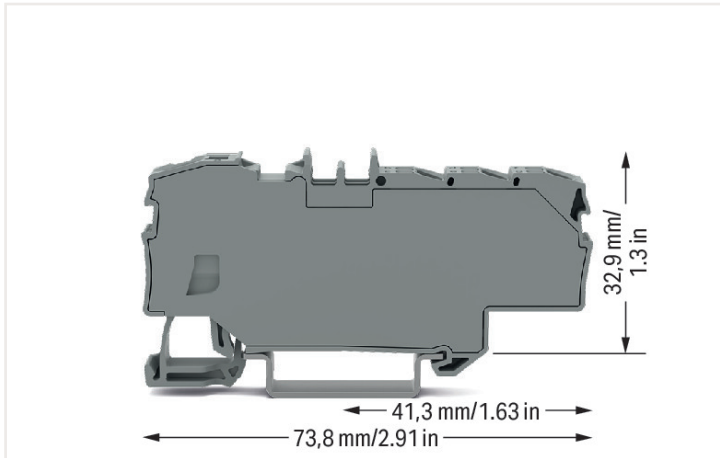


## Data sheet | Item number: 2006-8031

Distribution terminal block; with operating slots; 1 x 6 mm<sup>2</sup> / 6 x 1.5 mm<sup>2</sup>; with integrated end plate; side and center marking; for DIN-rail 35 x 15 and 35 x 7.5; Push-in CAGE CLAMP®; 6,00 mm<sup>2</sup>; gray



<https://www.wago.com/2006-8031>



Color: ■ gray

### Electrical data

#### Ratings per IEC/EN

|                               |   |
|-------------------------------|---|
| Nominal voltage (III/3)       | 800 V   |
| Rated impulse voltage (III/3) | 8 kV  |
| Rated current                 | 41 A  |
| Rated current 2               | 57 A  |
| Legend (ratings)              | (III / 3) Δ Overvoltage category III / Pollution degree 3 |

### Connection data

|                                   |   |
|-----------------------------------|---|
| Total number of connection points | 7 |
| Total number of potentials        | 1 |
| Number of levels                  | 1 |
| Number of jumper slots            | 2 |

#### Connection 1

|  |   |
|--|---|
| Connection type 1  | Input   |
| Connection technology                                      | Push-in CAGE CLAMP®   |
| Number of connection points                                | 1   |
| Actuation type   | Push-in<br>Operating tool   |
| Connectable conductor materials                            | Copper  |
| Nominal cross-section                                      | 6 mm <sup>2</sup>   |
| Solid conductor  | 0.5 ... 10 mm <sup>2</sup> / 20 ... 8 AWG   |
| Solid conductor; push-in termination                       | 2.5 ... 10 mm <sup>2</sup> / 14 ... 8 AWG   |
| Fine-stranded conductor                                    | 0.5 ... 10 mm <sup>2</sup> / 20 ... 8 AWG   |
| Fine-stranded conductor; with insulated ferrule            | 0.5 ... 6 mm <sup>2</sup> / 20 ... 10 AWG   |
| Fine-stranded conductor; with ferrule; push-in termination | 2.5 ... 6 mm <sup>2</sup> / 16 ... 10 AWG   |
| Note (conductor cross-section)                             | Depending on the conductor characteristic, a conductor with a smaller cross-section can also be inserted via push-in termination. |
| Strip length   | 13 ... 15 mm / 0.51 ... 0.59 inch   |
| Wiring direction   | Front-entry wiring  |

## Connection 2

|   |                                  |
|---|----------------------------------|
| Connection type 2   | Output                           |
| Connection technology 2                                       | Push-in CAGE CLAMP®              |
| Number of connection points 2                                 | 6                                |
| Nominal cross-section 2                                       | 1.5 mm²                          |
| Solid conductor 2   | 0.25 ... 2.5 mm² / 22 ... 14 AWG |
| Solid conductor; push-in termination 2                        | 0.75 ... 2.5 mm² / 18 ... 14 AWG |
| Fine-stranded conductor 2                                     | 0.25 ... 2.5 mm² / 22 ... 14 AWG |
| Fine-stranded conductor; with insulated ferrule 2             | 0.25 ... 1.5 mm² / 22 ... 16 AWG |
| Fine-stranded conductor; with ferrule; push-in termination; 2 | 0.75 ... 1.5 mm² / 18 ... 16 AWG |
| Strip length 2  | 9 ... 11 mm / 0.35 ... 0.43 inch |

## Physical data

|                                   |                      |
|-----------------------------------|----------------------|
| Width                             | 9 mm / 0.354 inch    |
| Height                            | 73.8 mm / 2.905 inch |
| Depth from upper-edge of DIN-rail | 32.9 mm / 1.295 inch |

## Mechanical data

|               |                     |
|---------------|---------------------|
| Mounting type | DIN-35 rail         |
| Marking level | Center/side marking |

## Material data

|                             |  |
|-----------------------------|--|
| Note (material data)        | <a href="#">Information on material data can be found here</a> |
| Color                       | gray   |
| Insulation material         | Polyamide (PA66)   |
| Flammability class per UL94 | V0   |
| Clamping spring material    | Chrome-nickel spring steel (CrNi)                              |
| Fire load                   | 0.316 MJ   |
| Weight                      | 16.3 g   |

## Commercial data

|                                     |               |
|-------------------------------------|---------------|
| PU (SPU)                            | 12 Pieces     |
| Country of origin VKOrg Germany     | DE            |
| GTIN                                | 4055144134698 |
| Customs tariff number VKOrg Germany | 85369010000   |

## Downloads

### Environmental Product Compliance

#### Compliance Search

Environmental Product  
Compliance 2006-8031



## Documentation

### Additional Information

|                   |                   |  |
|-------------------|-------------------|--|
| Technical Section | pdf<br>2142.18 KB |  |
|-------------------|-------------------|--|

## CAD/CAE-Data

### CAD data

|                           |  |
|---------------------------|--|
| 2D/3D Models<br>2006-8031 |  |
|---------------------------|--|

## 1 Compatible products

### 1.1 Optional accessories

#### 1.1.1 DIN-rail

##### 1.1.1.1 Mounting accessories



**Item no.: 210-196**  
Aluminum carrier rail; 35 x 8.2 mm; 1.6 mm thick; 2 m long; unslotted; similar to EN 60715; silver-colored



**Item no.: 210-198**  
Copper carrier rail; 35 x 15 mm; 2.3 mm thick; 2 m long; unslotted; according to EN 60715; copper-colored



**Item no.: 210-197**  
Steel carrier rail; 35 x 15 mm; 1.5 mm thick; 2 m long; slotted; similar to EN 60715; silver-colored



**Item no.: 210-114**  
Steel carrier rail; 35 x 15 mm; 1.5 mm thick; 2 m long; unslotted; similar to EN 60715; silver-colored



**Item no.: 210-118**  
Steel carrier rail; 35 x 15 mm; 2.3 mm thick; 2 m long; unslotted; according to EN 60715; silver-colored



**Item no.: 210-115**  
Steel carrier rail; 35 x 7.5 mm; 1 mm thick; 2 m long; slotted; according to EN 60715; "Hole width 18 mm; silver-colored



**Item no.: 210-112**  
Steel carrier rail; 35 x 7.5 mm; 1 mm thick; 2 m long; slotted; according to EN 60715; "Hole width 25 mm; silver-colored



**Item no.: 210-113**  
Steel carrier rail; 35 x 7.5 mm; 1 mm thick; 2 m long; unslotted; according to EN 60715; silver-colored

#### 1.1.2 Ferrule

##### 1.1.2.1 Ferrule



**Item no.: 216-262**  
Ferrule; Sleeve for 0.75 mm<sup>2</sup> / 18 AWG; insulated; electro-tin plated; electrolytic copper; gastight crimped; acc. to DIN 46228, Part 4/09.90; gray



**Item no.: 216-263**  
Ferrule; Sleeve for 1 mm<sup>2</sup> / AWG 18; insulated; electro-tin plated; electrolytic copper; gastight crimped; acc. to DIN 46228, Part 4/09.90; red



**Item no.: 216-264**  
Ferrule; Sleeve for 1.5 mm<sup>2</sup> / AWG 16; insulated; electro-tin plated; electrolytic copper; gastight crimped; acc. to DIN 46228, Part 4/09.90; black



**Item no.: 216-266**  
Ferrule; Sleeve for 2.5 mm<sup>2</sup> / AWG 14; insulated; electro-tin plated; electrolytic copper; gastight crimped; acc. to DIN 46228, Part 4/09.90; blue



**Item no.: 216-267**  
Ferrule; Sleeve for 4 mm<sup>2</sup> / AWG 12; insulated; electro-tin plated; electrolytic copper; gastight crimped; acc. to DIN 46228, Part 4/09.90; gray



**Item no.: 216-208**  
Ferrule; Sleeve for 6 mm<sup>2</sup> / AWG 10; insulated; electro-tin plated; electrolytic copper; gastight crimped; acc. to DIN 46228, Part 4/09.90; yellow

### 1.1.3 Installation

#### 1.1.3.1 Mounting accessories



**Item no.: 709-169**

Cover carrier; Type 3; gray

**Item no.: 709-156**

Cover; Type 3; suitable for cover carrier, type 3; 1 m long; transparent

### 1.1.4 Jumper

#### 1.1.4.1 Jumper



**Item no.: 2001-402**

Jumper; 2-way; insulated; light gray

**Item no.: 2001-403**

Jumper; 3-way; insulated; light gray

**Item no.: 2001-404**

Jumper; 4-way; insulated; light gray

### 1.1.5 Marking

#### 1.1.5.1 Group marker carrier



**Item no.: 2009-191**

Group marker carrier; gray

**Item no.: 2009-192**

Group marker carrier; gray

**Item no.: 2009-193**

Group marker carrier; gray

#### 1.1.5.2 Marker

**Item no.: 2009-145/000-006**

Mini-WSB Inline; for Smart Printer; 1700 pieces on roll; stretchable 5 - 5.2 mm; plain; snap-on type; blue

**Item no.: 2009-145/000-007**

Mini-WSB Inline; for Smart Printer; 1700 pieces on roll; stretchable 5 - 5.2 mm; plain; snap-on type; gray

**Item no.: 2009-145/000-023**

Mini-WSB Inline; for Smart Printer; 1700 pieces on roll; stretchable 5 - 5.2 mm; plain; snap-on type; green

**Item no.: 2009-145/000-012**

Mini-WSB Inline; for Smart Printer; 1700 pieces on roll; stretchable 5 - 5.2 mm; plain; snap-on type; orange

**Item no.: 2009-145/000-005**

Mini-WSB Inline; for Smart Printer; 1700 pieces on roll; stretchable 5 - 5.2 mm; plain; snap-on type; red

**Item no.: 2009-145/000-024**

Mini-WSB Inline; for Smart Printer; 1700 pieces on roll; stretchable 5 - 5.2 mm; plain; snap-on type; violet

**Item no.: 2009-145**

Mini-WSB Inline; for Smart Printer; 1700 pieces on roll; stretchable 5 - 5.2 mm; plain; snap-on type; white

**Item no.: 2009-145/000-002**

Mini-WSB Inline; for Smart Printer; 1700 pieces on roll; stretchable 5 - 5.2 mm; plain; snap-on type; yellow



**Item no.: 248-501/000-006**

Mini-WSB marking card; as card; not stretchable; plain; snap-on type; blue

**Item no.: 248-501/000-007**

Mini-WSB marking card; as card; not stretchable; plain; snap-on type; gray

**Item no.: 248-501/000-023**

Mini-WSB marking card; as card; not stretchable; plain; snap-on type; green

**Item no.: 248-501/000-017**

Mini-WSB marking card; as card; not stretchable; plain; snap-on type; light green



**Item no.: 248-501/000-012**

Mini-WSB marking card; as card; not stretchable; plain; snap-on type; orange

**Item no.: 248-501/000-005**

Mini-WSB marking card; as card; not stretchable; plain; snap-on type; red

**Item no.: 248-501/000-024**

Mini-WSB marking card; as card; not stretchable; plain; snap-on type; violet

**Item no.: 248-501**

Mini-WSB marking card; as card; not stretchable; plain; snap-on type; white



**Item no.: 248-501/000-002**

Mini-WSB marking card; as card; not stretchable; plain; snap-on type; yellow

**Item no.: 793-5501/000-006**

WMB marking card; as card; for terminal block width 5 - 17.5 mm; stretchable 5 - 5.2 mm; plain; snap-on type; blue

**Item no.: 793-5501/000-007**

WMB marking card; as card; for terminal block width 5 - 17.5 mm; stretchable 5 - 5.2 mm; plain; snap-on type; gray

**Item no.: 793-5501/000-023**

WMB marking card; as card; for terminal block width 5 - 17.5 mm; stretchable 5 - 5.2 mm; plain; snap-on type; green



**Item no.: 793-5501/000-017**

WMB marking card; as card; for terminal block width 5 - 17.5 mm; stretchable 5 - 5.2 mm; plain; snap-on type; light green

**Item no.: 793-5501/000-012**

WMB marking card; as card; for terminal block width 5 - 17.5 mm; stretchable 5 - 5.2 mm; plain; snap-on type; orange

**Item no.: 793-5501/000-005**

WMB marking card; as card; for terminal block width 5 - 17.5 mm; stretchable 5 - 5.2 mm; plain; snap-on type; red

**Item no.: 793-5501/000-024**

WMB marking card; as card; for terminal block width 5 - 17.5 mm; stretchable 5 - 5.2 mm; plain; snap-on type; violet

1.1.5.2 Marker



**Item no.: 793-5501**  
WMB marking card; as card; for terminal block width 5 - 17.5 mm; stretchable 5 - 5.2 mm; plain; snap-on type; white

**Item no.: 793-5501/000-002**  
WMB marking card; as card; for terminal block width 5 - 17.5 mm; stretchable 5 - 5.2 mm; plain; snap-on type; yellow

**Item no.: 793-501/000-006**  
WMB marking card; as card; not stretchable; plain; snap-on type; blue

**Item no.: 793-501/000-007**  
WMB marking card; as card; not stretchable; plain; snap-on type; gray



**Item no.: 793-501/000-023**  
WMB marking card; as card; not stretchable; plain; snap-on type; green

**Item no.: 793-501/000-017**  
WMB marking card; as card; not stretchable; plain; snap-on type; light green

**Item no.: 793-501/000-012**  
WMB marking card; as card; not stretchable; plain; snap-on type; orange

**Item no.: 793-501/000-005**  
WMB marking card; as card; not stretchable; plain; snap-on type; red



**Item no.: 793-501/000-024**  
WMB marking card; as card; not stretchable; plain; snap-on type; violet

**Item no.: 793-501**  
WMB marking card; as card; not stretchable; plain; snap-on type; white

**Item no.: 793-501/000-002**  
WMB marking card; as card; not stretchable; plain; snap-on type; yellow

**Item no.: 2009-115/000-006**  
WMB-Inline; for Smart Printer; 1500 pieces on roll; stretchable 5 - 5.2 mm; plain; snap-on type; blue



**Item no.: 2009-115/000-007**  
WMB-Inline; for Smart Printer; 1500 pieces on roll; stretchable 5 - 5.2 mm; plain; snap-on type; gray

**Item no.: 2009-115/000-023**  
WMB-Inline; for Smart Printer; 1500 pieces on roll; stretchable 5 - 5.2 mm; plain; snap-on type; green

**Item no.: 2009-115/000-017**  
WMB-Inline; for Smart Printer; 1500 pieces on roll; stretchable 5 - 5.2 mm; plain; snap-on type; light green

**Item no.: 2009-115/000-012**  
WMB-Inline; for Smart Printer; 1500 pieces on roll; stretchable 5 - 5.2 mm; plain; snap-on type; orange



**Item no.: 2009-115/000-024**  
WMB-Inline; for Smart Printer; 1500 pieces on roll; stretchable 5 - 5.2 mm; plain; snap-on type; violet

**Item no.: 2009-115**  
WMB-Inline; for Smart Printer; 1500 pieces on roll; stretchable 5 - 5.2 mm; plain; snap-on type; white

**Item no.: 2009-115/000-002**  
WMB-Inline; for Smart Printer; 1500 pieces on roll; stretchable 5 - 5.2 mm; plain; snap-on type; yellow

1.1.5.3 Marker carrier



**Item no.: 2009-198**  
Adaptor; gray

1.1.5.4 Marking strip



**Item no.: 2009-110**  
Marking strips; for Smart Printer; on reel; not stretchable; plain; snap-on type; white

1.1.6 Test and measurement

1.1.6.1 Testing accessories



**Item no.: 2009-174**  
Test plug adapter; for 4 mm Ø test plugs; for testing TOPJOB®S rail-mounted terminal blocks; gray

**Item no.: 210-136**  
Test plug; 2 mm Ø; with 500 mm cable; red

**Item no.: 2009-182**  
Testing tap; for max. 2.5 mm<sup>2</sup>; tool-free connection for individual test wires 0.08 - 2.5 mm; gray

## 1.1.7 Tool

### 1.1.7.1 Operating tool



**Item no.: 210-719**

Operating tool; Blade: 2.5 x 0.4 mm; with a partially insulated shaft

**Item no.: 210-721**

Operating tool; Blade: 5.5 x 0.8 mm; with a partially insulated shaft; multicoloured

## Installation notes

### Conductor termination



All conductor types at a glance