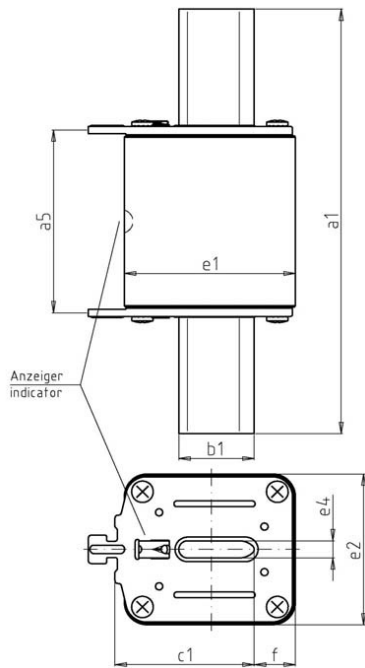


500 V



NH 1 / NH 2 / NH 3



Spannungsführende Griffflaschen / Non insulated removal tags  
Verpackung / Packing 3 Stück / 3 pieces

|                                     |                    |
|-------------------------------------|--------------------|
| Betriebsklasse / Class<br><b>gB</b> | VDE 0636 Teil 2011 |
|-------------------------------------|--------------------|

| Bemessungs-<br>spannung<br>Rated Voltage | Artikel<br>Article | Größe<br>Size | Bemessungs-<br>strom<br>Rated Current | Länge<br>Length |                |                |                |                |                |    |                |
|--|--------------------|---------------|---------------------------------------|-----------------|----------------|----------------|----------------|----------------|----------------|----|----------------|
|  |                    |               |                                       | a <sub>5</sub>  | a <sub>1</sub> | b <sub>1</sub> | e <sub>4</sub> | e <sub>1</sub> | e <sub>2</sub> | f  | c <sub>1</sub> |
| V  |                    |               | I <sub>n</sub> / A                    | mm              | mm             | mm             | mm             | mm             | mm             | mm | mm             |
| 500                                      | 20 003 03          | NH 1          | 20 - 250                              | 65              | 135            | 20             | 6              | 49             | 40             | 12 | 40             |
|  | 20 004 03          | NH 2          | 35 - 400                              | 65              | 150            | 26             | 6              | 60             | 53             | 14 | 48             |
|  | 20 005 03          | NH 3          | 100 - 400<br>500 - 630                | 65              | 150            | 26<br>32       | 6              | 70<br>70       | 53<br>65       | 14 | 60             |

| Bemessungs-<br>strom<br>Rated Current | Artikel Nr. / Leistungsabgabe<br>Article No. / Power Loss |      |               |     | Gewicht<br>Weight |           | Bemessungs-<br>ausschaltvermögen<br>Rated Breaking<br>Capacity | Schmelz-<br>integral<br>Pre-Arcing-<br>i <sup>2</sup> t-Value | Ausschaltintegral<br>Total i <sup>2</sup> t-Value<br>@ AC 500 V |                  |
|---------------------------------------|---|------|---------------|-----|-------------------|-----------|--|---|---|------------------|
|                                       | NH 1  | NH 2 | NH 3          |     | kg/1              | kA        |  |   |   | A <sup>2</sup> s |
| I <sub>n</sub> / A                    | W   | W    | W             | W   | kg/1              | kA        | A <sup>2</sup> s   | A <sup>2</sup> s  |   |                  |
| 20                                    | 20 003 03.20  | 3,8  | -             | -   | -                 | 0,39      | 120  | 140   | 570   |                  |
| 25                                    | 20 003 03.25  | 4,5  | -             | -   | -                 | 0,39      | 120  | 250   | 1.000   |                  |
| 35                                    | 20 003 03.35  | 6,0  | 20 004 03.35  | 6,0 | -                 | 0,39/0,60 | 120  | 290   | 1.100   |                  |
| 50                                    | 20 003 03.50  | 8,0  | 20 004 03.50  | 8,0 | -                 | 0,39/0,60 | 120  | 580   | 2.300   |                  |
| 63                                    | 20 003 03.63  | 8,8  | 20 004 03.63  | 8,8 | -                 | 0,39/0,60 | 120  | 1.100   | 4.400   |                  |
| 80                                    | 20 003 03.80  | 12   | 20 004 03.80  | 12  | -                 | 0,39/0,60 | 120  | 1.700   | 6.800   |                  |
| 100                                   | 20 003 03.100   | 14   | 20 004 03.100 | 14  | 20 005 03.100     | 14        | 0,39/0,61/0,88   | 120   | 3.300   | 13.000           |
| 125                                   | 20 003 03.125   | 16   | 20 004 03.125 | 16  | 20 005 03.125     | 16        | 0,39/0,61/0,88   | 120   | 5.600   | 22.000           |
| 160                                   | 20 003 03.160   | 21   | 20 004 03.160 | 21  | 20 005 03.160     | 21        | 0,39/0,61/0,88   | 120   | 9.000   | 36.000           |
| 200                                   | 20 003 03.200   | 25   | 20 004 03.200 | 25  | 20 005 03.200     | 25        | 0,39/0,62/0,88   | 120   | 16.000  | 64.000           |
| 250                                   | 20 003 03.250   | 30   | 20 004 03.250 | 30  | 20 005 03.250     | 30        | 0,39/0,62/0,88   | 120   | 34.000  | 133.000          |
| 315                                   | -   | -    | 20 004 03.315 | 36  | 20 005 03.315     | 36        | 0,62/0,88  | 120   | 46.000  | 181.000          |
| 355                                   | -   | -    | 20 004 03.355 | 41  | 20 005 03.355     | 41        | 0,62/0,88  | 120   | 75.000  | 299.000          |
| 400                                   | -   | -    | 20 004 03.400 | 45  | 20 005 03.400     | 45        | 0,63/0,88  | 120   | 92.000  | 369.000          |
| 500                                   | -   | -    | -             | -   | 20 005 03.500     | 58        | 0,88   | 120   | 117.000   | 467.000          |
| 630                                   | -   | -    | -             | -   | 20 005 03.630     | 68        | 0,88   | 120   | 208.000   | 830.000          |

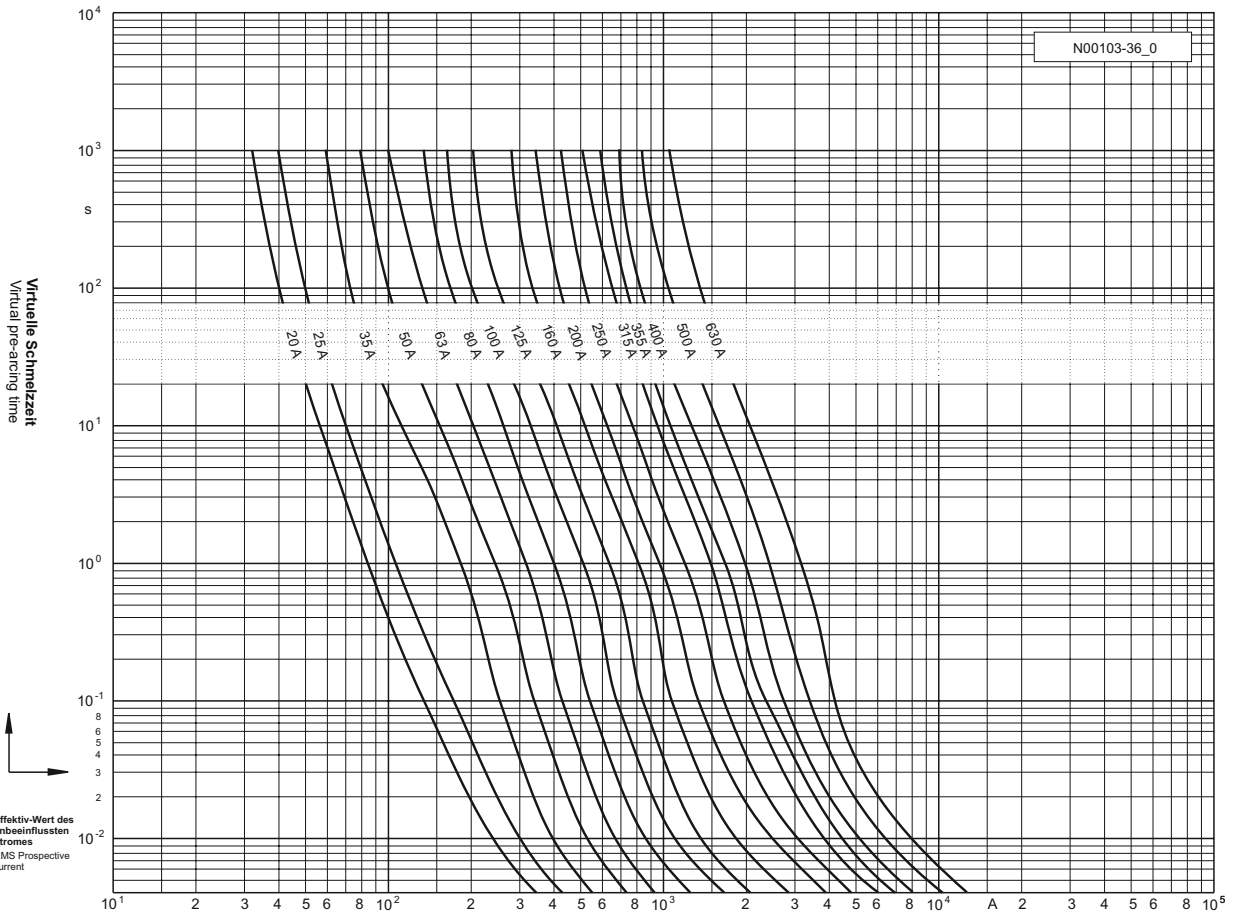
500 V



NH 1 / NH 2 / NH 3

gB

Zeit/Strom-  
Kennlinien  
Time-current  
characteristics



Durchlass-Strom  
Cut-off current

