



Connectors &gt; Lighting Connectors &gt; Poke-In Connectors

Connector System: **Wire-to-Board**Number of Positions: **4**Centerline (Pitch): **.16 mm [4 in]**Sealable: **No**Connector & Contact Terminates To: **Printed Circuit Board**

## Features

### Product Type Features

Connector Type	Connector Assembly
Connector Style	Receptacle
Connector System	Wire-to-Board
Sealable	No
Connector & Contact Terminates To	Printed Circuit Board

### Configuration Features

Number of Positions	4
---------------------	---

### Contact Features

Contact Current Rating (Max)	7 A
------------------------------	-----

### Termination Features

Termination Method to Printed Circuit Board	Through Hole - Solder
---	-----------------------

### Mechanical Attachment

Connector Mounting Type	Board Mount
-------------------------	-------------

### Housing Features

Centerline (Pitch)	.16 mm[4 in]
--------------------	--------------

### Dimensions

Connector Height	.23 mm[5.8 in]
------------------	----------------

Wire Size 22 – 20 AWG

### Usage Conditions

Operating Temperature Range -40 – 105 °C[-40 – 221 °F]

### Operation/Application

Circuit Application Power

### Product Compliance

[For compliance documentation, visit the product page on TE.com>](#)

EU RoHS Directive 2011/65/EU	Compliant
EU ELV Directive 2000/53/EC	Compliant
China RoHS 2 Directive MIIT Order No 32, 2016	No Restricted Materials Above Threshold
EU REACH Regulation (EC) No. 1907/2006	Current ECHA Candidate List: JAN 2022 (223) Candidate List Declared Against: JAN 2022 (223) Does not contain REACH SVHC
Halogen Content	Low Halogen - Br, Cl, F, I < 900 ppm per homogenous material. Also BFR/CFR/PVC Free
Solder Process Capability	Reflow solder capable to 245°C

#### Product Compliance Disclaimer

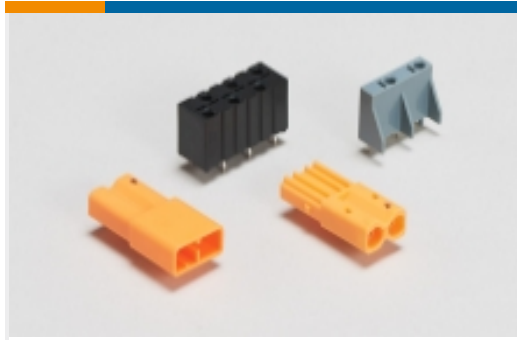
This information is provided based on reasonable inquiry of our suppliers and represents our current actual knowledge based on the information they provided. This information is subject to change. The part numbers that TE has identified as EU RoHS compliant have a maximum concentration of 0.1% by weight in homogenous materials for lead, hexavalent chromium, mercury, PBB, PBDE, DBP, BBP, DEHP, DIBP, and 0.01% for cadmium, or qualify for an exemption to these limits as defined in the Annexes of Directive 2011/65/EU (RoHS2). Finished electrical and electronic equipment products will be CE marked as required by Directive 2011/65/EU. Components may not be CE marked. Additionally, the part numbers that TE has identified as EU ELV compliant have a maximum concentration of 0.1% by weight in homogenous materials for lead, hexavalent chromium, and mercury, and 0.01% for cadmium, or qualify for an exemption to these limits as defined in the Annexes of Directive 2000/53/EC (ELV). Regarding the REACH Regulation, the information TE provides on SVHC in articles for this part number is based on the latest European Chemicals Agency (ECHA) 'Guidance on requirements for substances in articles' posted at this URL: <https://echa.europa.eu/guidance-documents/guidance-on-reach>

### Compatible Parts

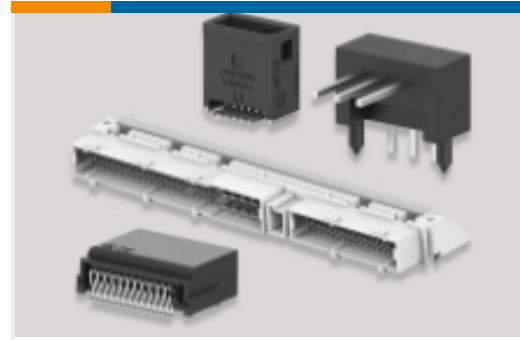


TE Part # 2-2106489-4  
Connector, Thru Hole-IDC, 4 pos,  
22AWG

## Also in the Series | Insulation Displacement Connectors Closed End



Ballast Connectors(23)



PCB Headers & Receptacles(1)



Poke-In Connectors(66)

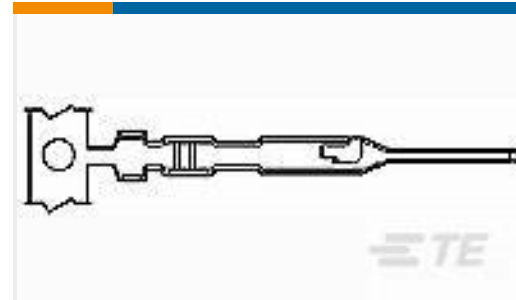
## Customers Also Bought



TE Part #1658686-2  
SOCKET CONT, 22-28 AWG, DF 22,  
AMPLIMITE



TE Part #2834006-3  
RELEASE POKE-IN  
CONNECTOR\_3POLES



TE Part #5-104505-7  
MTE PIN LP



TE Part #87124-1  
LOCKING CLIP CONT ASSY .025 SQ



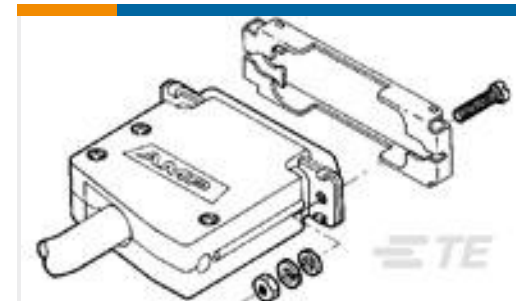
TE Part #1-2106751-3  
Connector, Thru Hole-IDC, 3 pos,  
20AWG



TE Part #2-2106751-3  
Connector, Thru Hole-IDC, 3 pos,  
22AWG



TE Part #5745171-2  
SIZE 1 ASSY KIT .200



TE Part #5745583-5  
UNIV SLIDELATCH KIT, SZ 2



TE Part #1-1649329-5  
RT424024



## Documents

### Product Drawings

[Connector, Thru Hole-IDC, 4 pos, 22AWG](#)

English

---

### CAD Files

[3D PDF](#)

3D

Customer View Model

[ENG\\_CVM\\_CVM\\_2-2106751-4\\_B.2d\\_dxf.zip](#)

English

Customer View Model

[ENG\\_CVM\\_CVM\\_2-2106751-4\\_B.3d\\_igs.zip](#)

English

Customer View Model

[ENG\\_CVM\\_CVM\\_2-2106751-4\\_B.3d\\_stp.zip](#)

English

By downloading the CAD file I accept and agree to the [Terms and Conditions](#) of use.

---

### Datasheets & Catalog Pages

[IDC\\_SSL\\_CONNECTOR](#)

English

---

### Product Specifications

[Application Specification](#)

English

---

### Agency Approvals

[Agency Approval Document](#)

English