

2-1825138-7 ✓ ACTIVE

Alcoswitch | Alcoswitch Gemini A Series

TE Internal #: 2-1825138-7

Alcoswitch Gemini A Series, Toggle Switches, Double Pole -  
Double Throw Configuration (Pole-Throw), 1/4-40, Sealed, Copper,  
Gold

[View on TE.com >](#)



Relays, Contactors & Switches > Switches > Toggle Switches



Configuration (Pole-Throw): **Double Pole - Double Throw**

Bushing Thread Size: **1/4-40**

Sealed Toggle Switch: **Yes**

Contact Base Material: **Copper**

Switch Contact Plating Material: **Gold**

## Features

### Product Type Features

|                      |            |
|----------------------|------------|
| Product Type         | Switch     |
| Sealed Toggle Switch | Yes        |
| Toggle Style         | Baton Long |
| Toggle Switch Type   | Toggle     |
| Toggle Actuation     | Vertical   |

### Configuration Features

|                            |                            |
|----------------------------|----------------------------|
| Configuration (Pole-Throw) | Double Pole - Double Throw |
| Operating Function         | On On                      |

### Electrical Characteristics

|                              |          |
|------------------------------|----------|
| Dielectric Strength          | 1000 VAC |
| Insulation Resistance        | 1000 MΩ  |
| Contact Resistance           | 10 mΩ    |
| Toggle Switch Voltage Rating | 20 VAC   |

### Body Features

|                         |                       |
|-------------------------|-----------------------|
| Actuator Finish         | Nickel                |
| Bushing Thread Size     | 1/4-40                |
| Toggle Switch Seal Type | Terminal Seal (Epoxy) |
| Bushing Style           | Threaded              |



### Contact Features

|                                      |        |
|--------------------------------------|--------|
| Contact Base Material                | Copper |
| Switch Contact Plating Material      | Gold   |
| Toggle Switch Contact Current Rating | .4 A   |

### Termination Features

|                  |           |
|------------------|-----------|
| Termination Type | Wire Lugs |
|------------------|-----------|

### Mechanical Attachment

|                             |        |
|-----------------------------|--------|
| Toggle Switch Mounting Type | Solder |
|-----------------------------|--------|

### Housing Features

|                |    |
|----------------|----|
| Process Sealed | No |
|----------------|----|

### Dimensions

|               |                 |
|---------------|-----------------|
| Toggle Length | 10.4 mm[.41 in] |
|---------------|-----------------|

## Product Compliance

[For compliance documentation, visit the product page on TE.com>](#)

|   |   |
|---|---|
| EU RoHS Directive 2011/65/EU                  | Compliant with Exemptions   |
| EU ELV Directive 2000/53/EC                   | Compliant with Exemptions   |
| China RoHS 2 Directive MIIT Order No 32, 2016 | Restricted Materials Above Threshold  |
| EU REACH Regulation (EC) No. 1907/2006        | Current ECHA Candidate List: JAN 2022 (223)<br>Candidate List Declared Against: JUL 2021 (219)<br>SVHC > Threshold:<br>Not Yet Reviewed |
| Halogen Content                               | Low Halogen - Br, Cl, F, I < 900 ppm per homogenous material. Also BFR/CFR/PVC Free   |
| Solder Process Capability                     | Wave solder capable to 265°C  |

#### Product Compliance Disclaimer

This information is provided based on reasonable inquiry of our suppliers and represents our current actual knowledge based on the information they provided. This information is subject to change. The part numbers that TE has identified as EU RoHS compliant have a maximum concentration of 0.1% by weight in homogenous materials for lead, hexavalent chromium, mercury, PBB, PBDE, DBP, BBP, DEHP, DIBP, and 0.01% for cadmium, or qualify for an exemption to these limits as defined in the Annexes of Directive 2011/65/EU (RoHS2). Finished electrical and electronic equipment products will be CE marked as required by Directive 2011/65/EU. Components may not be CE marked. Additionally, the part numbers that TE has identified as EU ELV compliant have a maximum concentration of 0.1% by weight in homogenous materials for lead, hexavalent chromium, and mercury, and 0.01% for cadmium, or qualify for an exemption to these limits as defined in the Annexes of Directive 2000/53/EC (ELV). Regarding the REACH Regulation, the information TE provides



on SVHC in articles for this part number is based on the latest European Chemicals Agency (ECHA) 'Guidance on requirements for substances in articles' posted at this URL: <https://echa.europa.eu/guidance-documents/guidance-on-reach>

### Compatible Parts



TE Part # 4-1825136-5  
A101SYCQ04



TE Part # 1825136-7  
A101KZQ04



TE Part # 4-1825136-9  
A101SYZQ04

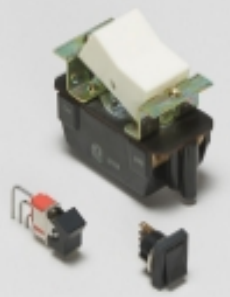


TE Part # 5-1825136-9  
A108P3ZQ04

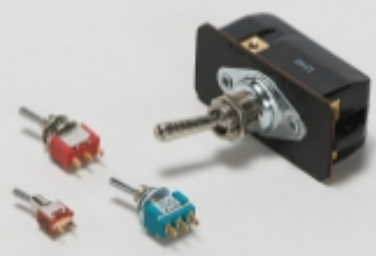


TE Part # 4-1825136-3  
A101SYAQ04

### Also in the Series | Alcoswitch Gemini A Series



Rocker Switches(6)



Toggle Switches(38)

### Customers Also Bought



TE Part #3-770522-1  
SL156 HOODED CONTACT, LP LF



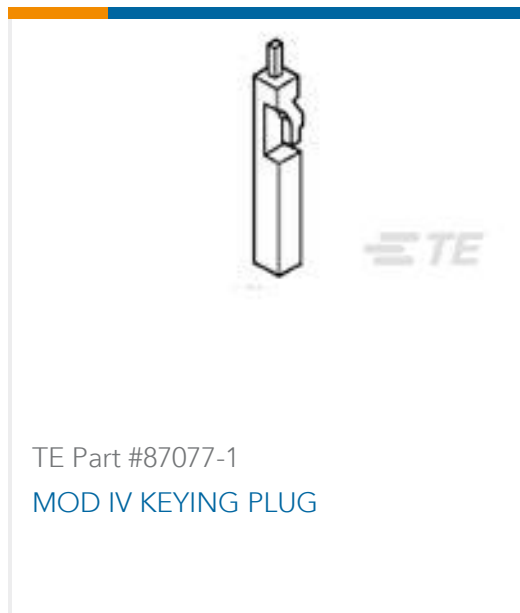
TE Part #640250-3  
03P SL156 HSG W/LCK RAMP NATL



TE Part #1-967241-1  
J-P-T HOUSING ASSY 6P



TE Part #172337-1  
MINI UMNL PLUG HOUSING 3P



## Documents

### Product Drawings

[A201SYZB04](#)

English

### CAD Files

[3D PDF](#)

3D

Customer View Model

[ENG\\_CVM\\_CVM\\_2-1825138-7\\_A.2d\\_dxf.zip](#)

English

Customer View Model

[ENG\\_CVM\\_CVM\\_2-1825138-7\\_A.3d\\_igs.zip](#)

English

Customer View Model

[ENG\\_CVM\\_CVM\\_2-1825138-7\\_A.3d\\_stp.zip](#)

English

By downloading the CAD file I accept and agree to the [Terms and Conditions](#) of use.

### Datasheets & Catalog Pages

[SWITCHES\\_CORE\\_PROGRAM\\_CATALOG](#)

English

[GEMINI\\_SERIES\\_SWITCHES\\_QUICK\\_REF\\_GUIDE\\_2-1773458-5](#)

English