

2-1825138-3 ✓ ACTIVE

[Alcoswitch](#) | [Alcoswitch Gemini A](#)

TE Internal #: 2-1825138-3

Alcoswitch Gemini A, Toggle Switches, Double Pole - Double Throw Configuration (Pole-Throw), 1/4-40, Sealed, Copper, Silver, Terminal Seal (Epoxy)

[View on TE.com >](#)



Relays, Contactors & Switches > Switches > Toggle Switches



Configuration (Pole-Throw): **Double Pole - Double Throw**

Bushing Thread Size: **1/4-40**

Sealed Toggle Switch: **Yes**

Contact Base Material: **Copper**

Switch Contact Plating Material: **Silver**

Features

Product Type Features

Product Type	Switch
Sealed Toggle Switch	Yes
Toggle Style	Baton Long
Toggle Switch Type	Toggle
Toggle Actuation	Horizontal

Configuration Features

Configuration (Pole-Throw)	Double Pole - Double Throw
Operating Function	On On

Electrical Characteristics

Dielectric Strength	1000 VAC
Insulation Resistance	1000 MΩ
Contact Resistance	10 mΩ
Toggle Switch Voltage Rating	120 VAC

Body Features

Actuator Finish	Nickel
Bushing Thread Size	1/4-40
Toggle Switch Seal Type	Terminal Seal (Epoxy)
Bushing Style	Threaded



Contact Features

Contact Base Material	Copper
Switch Contact Plating Material	Silver
Toggle Switch Contact Current Rating	5 A

Termination Features

Termination Type	Right Angle
------------------	-------------

Mechanical Attachment

Toggle Switch Mounting Type	Through Hole
-----------------------------	--------------

Housing Features

Process Sealed	No
----------------	----

Dimensions

Toggle Length	10.4 mm[.41 in]
---------------	-----------------

Product Compliance

[For compliance documentation, visit the product page on TE.com>](#)

EU RoHS Directive 2011/65/EU	Compliant with Exemptions
EU ELV Directive 2000/53/EC	Compliant with Exemptions
China RoHS 2 Directive MIIT Order No 32, 2016	Restricted Materials Above Threshold
EU REACH Regulation (EC) No. 1907/2006	Current ECHA Candidate List: JAN 2022 (223) Candidate List Declared Against: JUL 2021 (219) SVHC > Threshold: Not Yet Reviewed
Halogen Content	Low Halogen - Br, Cl, F, I < 900 ppm per homogenous material. Also BFR/CFR/PVC Free
Solder Process Capability	Wave solder capable to 265°C

Product Compliance Disclaimer

This information is provided based on reasonable inquiry of our suppliers and represents our current actual knowledge based on the information they provided. This information is subject to change. The part numbers that TE has identified as EU RoHS compliant have a maximum concentration of 0.1% by weight in homogenous materials for lead, hexavalent chromium, mercury, PBB, PBDE, DBP, BBP, DEHP, DIBP, and 0.01% for cadmium, or qualify for an exemption to these limits as defined in the Annexes of Directive 2011/65/EU (RoHS2). Finished electrical and electronic equipment products will be CE marked as required by Directive 2011/65/EU. Components may not be CE marked. Additionally, the part numbers that TE has identified as EU ELV compliant have a maximum concentration of 0.1% by weight in homogenous materials for lead, hexavalent chromium, and mercury, and 0.01% for cadmium, or qualify for an exemption to these limits as defined in the Annexes of Directive 2000/53/EC (ELV). Regarding the REACH Regulation, the information TE provides

on SVHC in articles for this part number is based on the latest European Chemicals Agency (ECHA) 'Guidance on requirements for substances in articles' posted at this URL: <https://echa.europa.eu/guidance-documents/guidance-on-reach>

Compatible Parts



TE Part # 4-1825136-5
A101SYCQ04



TE Part # 1825136-7
A101KZQ04



TE Part # 4-1825136-9
A101SYZQ04

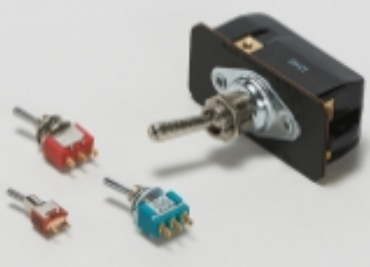


TE Part # 5-1825136-9
A108P3ZQ04



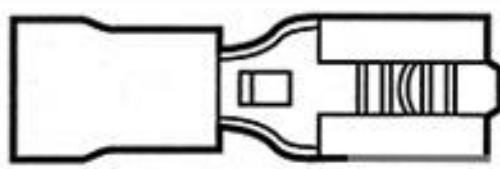
TE Part # 4-1825136-3
A101SYAQ04

Also in the Series | Alcoswitch Gemini A



Toggle Switches(97)

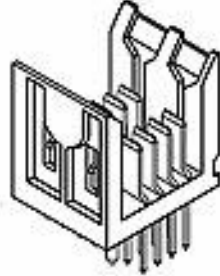
Customers Also Bought



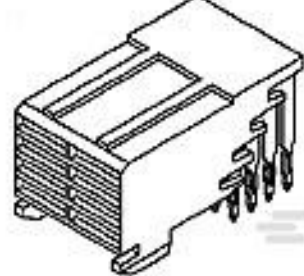
TE Part #9-160477-2
187 PIDG FASTON REC



TE Part #2-1761607-9
IDC LOW PRO HDR 26P RA LG LAT



TE Part #5536600-1
2MMFB,ASY,008,PWR,HDR,SL,4.25



TE Part #5536607-1
2MM FB,ASY,008,PWR,REC,SL,2.73



TE Part #4169106001
DSPL-NR3-X-65MM



TE Part #1745005-1
18 POS. REC. HSG. 2.54 MM PITC



TE Part #1745003-1
18 POS. FRAME ASSY CRIMP/CRIMP



TE Part #1SNA115501R1200
M6/8.D2



TE Part #1SNA176673R0200
BJM18-10

Documents

Product Drawings

[A201SYAQ04](#)

English

Datasheets & Catalog Pages

[SWITCHES_CORE_PROGRAM_CATALOG](#)

English

[GEMINI_SERIES_SWITCHES_QUICK_REF_GUIDE_2-1773458-5](#)

English