



FPC

TE Internal #: 2-1734592-6

FPC Connectors, Flex-to-Board, 26 Position, .02 in [.5 mm]

Centerline, Zero Insertion Force (ZIF), Right Angle, Surface Mount

[View on TE.com >](#)

Connectors > PCB Connectors > Wire-to-Board Connectors > FFC, FPC & Ribbon Connectors > FPC Connectors > 0.5mm FPC Connectors



Connector System: **Flex-to-Board**

Number of Positions: **26**

Centerline (Pitch): **.5 mm [.02 in]**

Insertion Force Type: **Zero Insertion Force (ZIF)**

PCB Mount Orientation: **Right Angle**

[All 0.5mm FPC Connectors \(160\)](#)

Features

Product Type Features

| | |
|-----------------------------------|---|
| PCB Connector Assembly Type | PCB Mount Receptacle |
| Connector Product Type | Connector Assembly |
| Connector System | Flex-to-Board |
| Insertion Force Type | Zero Insertion Force (ZIF) |
| FPC Actuator Type | Stuffer (Plunger Style) |
| Sealable | No |
| Connector & Contact Terminates To | Flexible Printed Circuit (FPC), Printed Circuit Board |

Configuration Features

| | |
|-----------------------------------|-------------|
| Compatible With Wire & Cable Type | FFC, FPC |
| Number of Rows | 1 |
| Number of Positions | 26 |
| PCB Mount Orientation | Right Angle |

Electrical Characteristics

| | |
|-------------------|---------|
| Operating Voltage | 250 VAC |
|-------------------|---------|

Contact Features

| | |
|---|------------------|
| Contact Layout | Inline |
| PCB Contact Termination Area Plating Material Thickness | .025 μm[100 μin] |



| | |
|--|--|
| Contact Type | Socket |
| Contact Mating Area Plating Material Thickness | .025 μm [100 μin] |
| Contact Shape & Form | Single Beam |
| PCB Contact Termination Area Plating Material | Gold |
| Contact Base Material | Phosphor Bronze |
| Contact Mating Location | Bottom |
| Contact Mating Area Plating Material | Gold |
| Contact Current Rating (Max) | .5 A |

Termination Features

| | |
|---|---------------|
| Termination Method to Printed Circuit Board | Surface Mount |
|---|---------------|

Mechanical Attachment

| | |
|-------------------------|-------------|
| Mating Alignment | With |
| PCB Mount Alignment | Without |
| PCB Mount Retention | With |
| Connector Mounting Type | Board Mount |

Housing Features

| | |
|--------------------|------------------------------|
| Housing Material | LCP (Liquid Crystal Polymer) |
| Housing Color | Natural |
| Centerline (Pitch) | .5 mm[.02 in] |

Dimensions

| | |
|------------------------------|-------------------|
| Connector Length | 18.43 mm[.726 in] |
| Connector Height | 2.05 mm[.08 in] |
| Connector Width | 5.1 mm[.2 in] |
| Accepts Flex Cable Thickness | .3 mm[.012 in] |

Usage Conditions

| | |
|-----------------------------|---|
| Operating Temperature Range | -40 – 85 $^{\circ}\text{C}$ [-40 – 185 $^{\circ}\text{F}$] |
|-----------------------------|---|

Operation/Application

| | |
|---------------------|--------|
| Circuit Application | Signal |
|---------------------|--------|

Identification Marking

| | |
|--------------------------------|---------|
| Circuit Identification Feature | Without |
|--------------------------------|---------|

Packaging Features

| | |
|--|--|
| | |
|--|--|



| | |
|--------------------|------|
| Packaging Quantity | 2000 |
| Packaging Method | Tape |

Product Compliance

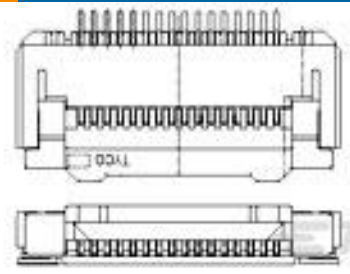
[For compliance documentation, visit the product page on TE.com>](#)

| | |
|---|---|
| EU RoHS Directive 2011/65/EU | Compliant |
| EU ELV Directive 2000/53/EC | Compliant |
| China RoHS 2 Directive MIIT Order No 32, 2016 | No Restricted Materials Above Threshold |
| EU REACH Regulation (EC) No. 1907/2006 | Current ECHA Candidate List: JAN 2022 (223) Candidate List Declared Against: JAN 2022 (223) Does not contain REACH SVHC |
| Halogen Content | Not Low Halogen - contains Br or Cl > 900 ppm. |
| Solder Process Capability | Reflow solder capable to 260°C |

Product Compliance Disclaimer

This information is provided based on reasonable inquiry of our suppliers and represents our current actual knowledge based on the information they provided. This information is subject to change. The part numbers that TE has identified as EU RoHS compliant have a maximum concentration of 0.1% by weight in homogenous materials for lead, hexavalent chromium, mercury, PBB, PBDE, DBP, BBP, DEHP, DIBP, and 0.01% for cadmium, or qualify for an exemption to these limits as defined in the Annexes of Directive 2011/65/EU (RoHS2). Finished electrical and electronic equipment products will be CE marked as required by Directive 2011/65/EU. Components may not be CE marked. Additionally, the part numbers that TE has identified as EU ELV compliant have a maximum concentration of 0.1% by weight in homogenous materials for lead, hexavalent chromium, and mercury, and 0.01% for cadmium, or qualify for an exemption to these limits as defined in the Annexes of Directive 2000/53/EC (ELV). Regarding the REACH Regulation, the information TE provides on SVHC in articles for this part number is based on the latest European Chemicals Agency (ECHA) 'Guidance on requirements for substances in articles' posted at this URL: <https://echa.europa.eu/guidance-documents/guidance-on-reach>

Customers Also Bought



TE Part #3-1734592-0
FPC CONN. 0.5MM PITCH B/C, 30P



TE Part #5-104363-3
04 MTE HDR SRST LATCH .100CL



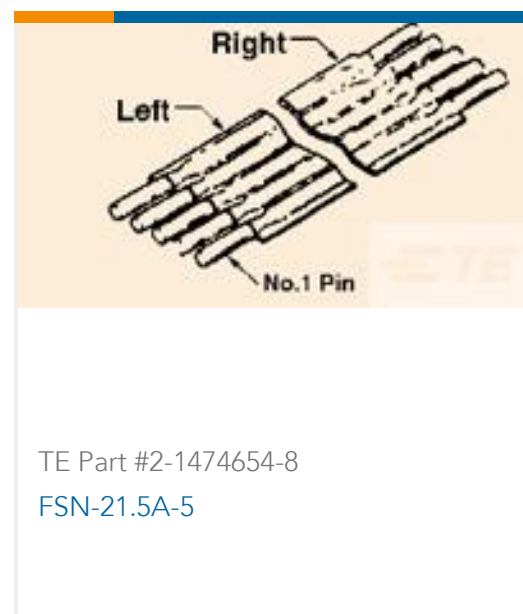
TE Part #84953-4
1MM FPC HORZ.TOP CONT.ASSY 4P



TE Part #1-1625885-9
1W SM M/OX 5% 12R



TE Part #1-2176380-0
RQ 0805 1K43 0.1% 10PPM 5K RL



TE Part #2-1474654-8
FSN-21.5A-5



TE Part #1217097-2
PL 187 TERMINAL REC 22-18 AWG
TPBR



TE Part #2-2176263-1
RN 0402 39K2 0.1% 10PPM 5K RL



TE Part #2-1969543-2
ASSY, HDR, VERT, BOSSED, DUAL
ROW, EP2.5

Documents

Product Drawings

FPC CONN. 0.5MM PITCH B/C, 26P

English

CAD Files

3D PDF

3D

Customer View Model

[ENG_CVM_CVM_2-1734592-6_C_c-2-1734592-6-c.2d_dxf.zip](#)

English

Customer View Model

[ENG_CVM_CVM_2-1734592-6_C_c-2-1734592-6-c.3d_igs.zip](#)

English

Customer View Model

[ENG_CVM_CVM_2-1734592-6_C_c-2-1734592-6-c.3d_stp.zip](#)

English

By downloading the CAD file I accept and agree to the [Terms and Conditions](#) of use.

Datasheets & Catalog Pages

[1-1773959-6-flexible-printed-circuit-con](#)

English

[1-1773959-7-FPC-Connectors-CN](#)

[FPC Connector Family](#)

English

Product Specifications

[Product Specification](#)



English

Product Environmental Compliance

Product Compliance

English

Product Compliance

English