

PKAP70B1/4 ✓ ACTIVE

Alcoswitch

TE Internal #: 2-1437624-0

Switch Knobs, Knob, Phenolic, Ribbed with Bar Pointer Knob Design, .25 in [6.35 mm] Shaft Size, 24.8 mm [.976 in] Diameter, Black, Line

[View on TE.com >](#)



Relays, Contactors & Switches > Switches > Switch Knobs



Switch Knob Product Type: **Knob**

Switch Knob Material: **Phenolic**

Knob Design: **Ribbed with Bar Pointer**

Shaft Size: **6.35 mm [.25 in]**

Switch Knob Diameter: **24.8 mm [.976 in]**

Features

Product Type Features

Switch Knob Product Type	Knob
--------------------------	------

Configuration Features

Skirt	With
Spinner	Without
Spin Plate	Without
Knob Design	Ribbed with Bar Pointer

Body Features

Switch Knob Material	Phenolic
Switch Knob Color	Black

Dimensions

Shaft Size	6.35 mm[.25 in]
Switch Knob Diameter	24.8 mm[.976 in]

Identification Marking

Indicator Style	Line
Indicator Location	Top, Side & Skirt

Other

Comment	Top spun aluminum inlay
---------	-------------------------



Product Compliance

[For compliance documentation, visit the product page on TE.com>](#)

EU RoHS Directive 2011/65/EU	Compliant
EU ELV Directive 2000/53/EC	Compliant
China RoHS 2 Directive MIIT Order No 32, 2016	No Restricted Materials Above Threshold
EU REACH Regulation (EC) No. 1907/2006	Current ECHA Candidate List: JAN 2022 (223) Candidate List Declared Against: JAN 2018 (181) SVHC > Threshold: Not Yet Reviewed
Halogen Content	Not Yet Reviewed for halogen content
Solder Process Capability	Not applicable for solder process capability

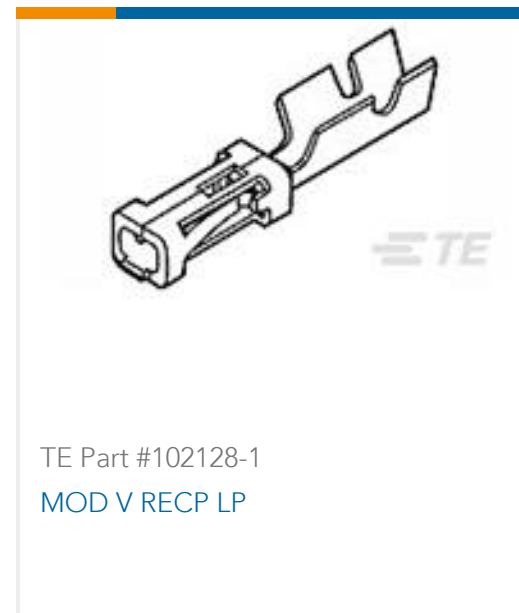
Product Compliance Disclaimer

This information is provided based on reasonable inquiry of our suppliers and represents our current actual knowledge based on the information they provided. This information is subject to change. The part numbers that TE has identified as EU RoHS compliant have a maximum concentration of 0.1% by weight in homogenous materials for lead, hexavalent chromium, mercury, PBB, PBDE, DBP, BBP, DEHP, DIBP, and 0.01% for cadmium, or qualify for an exemption to these limits as defined in the Annexes of Directive 2011/65/EU (RoHS2). Finished electrical and electronic equipment products will be CE marked as required by Directive 2011/65/EU. Components may not be CE marked. Additionally, the part numbers that TE has identified as EU ELV compliant have a maximum concentration of 0.1% by weight in homogenous materials for lead, hexavalent chromium, and mercury, and 0.01% for cadmium, or qualify for an exemption to these limits as defined in the Annexes of Directive 2000/53/EC (ELV). Regarding the REACH Regulations, TE's information on SVHC in articles for this part number is still based on the European Chemical Agency (ECHA) 'Guidance on requirements for substances in articles' (Version: 2, April 2011), applying the 0.1% weight on weight concentration threshold at the finished product level. TE is aware of the European Court of Justice ruling of September 10th, 2015 also known as O5A (Once An Article Always An Article) stating that, in case of 'complex object', the threshold for a SVHC must be applied to both the product as a whole and simultaneously to each of the articles forming part of its composition. TE has evaluated this ruling based on the new ECHA "Guidance on requirements for substances in articles" (June 2017, version 4.0) and will be updating its statements accordingly.

Compatible Parts



Customers Also Bought



Documents

Product Drawings

[PKAP70B1/4=KNOB LEX W/POINTER](#)

English

CAD Files

Customer View Model

[ENG_CVM_CVM_2-1437624-0_E.2d_dxf.zip](#)

English

3D PDF

3D

Customer View Model

[ENG_CVM_CVM_2-1437624-0_E.3d_igs.zip](#)

English

Customer View Model

[ENG_CVM_CVM_2-1437624-0_E.3d_stp.zip](#)

English

By downloading the CAD file I accept and agree to the [Terms and Conditions](#) of use.

Datasheets & Catalog Pages

PKAP70B1/4

Switch Knobs, Knob, Phenolic, Ribbed with Bar Pointer Knob Design, .25 in [6.35 mm]
Shaft Size, 24.8 mm [.976 in] Diameter, Black, Line



SWITCHES_CORE_PROGRAM_CATALOG

English