

164SL511 ✓ ACTIVE

[Alcoswitch](#) | [Alcoswitch Command](#)

TE Internal #: 2-1437569-9

Alcoswitch Command, Push Button Switches, Switch, Single Actuator, Illuminated, Snap Action, Tactile, Push-On/Push-Off, 5 A, 250 VAC, 24 VDC / 20 VDC

[View on TE.com >](#)



Relays, Contactors & Switches > Switches > Push Button Switches



Push Button Switch Product Type: **Switch**

Number of Actuators: **Single**

Illuminated: **Yes**

Process Sealed: **No**

Snap Action: **With**

Features

Product Type Features

Switch Type	Pushbutton
Dust Proof	No
Push Button Switch Product Type	Switch
Illuminated	Yes
Actuator Style	Square

Configuration Features

Ganged	No
Panel Cutout Size	16 (Diameter) mm
Number of Actuators	Single
Snap Action	With
Tactile	Yes
Operating Function	Push-On/Push-Off

Electrical Characteristics

Push Button Switch Voltage Rating	20 VDC, 24 VDC
Push Button Switch Power Rating	.4

Body Features

Seal Type	IP65
-----------	------

Contact Features



Type of Contact	1 NO & 1 NC
Push Button Switch Contact Current Rating	5 A
Switch Contact Plating Material	Gold

Mechanical Attachment

Mounting Angle	Vertical
Push Button Switch Mounting Type	Panel

Housing Features

Low Profile	No
Process Sealed	No

Dimensions

Button Width	15 mm [.59 in]
--------------	----------------

Usage Conditions

Oil-Tight	No
-----------	----

Operation/Application

For Use With	Lens Model 64S(*) (where * equals (2) Red, (3) Orange, (4) Yellow, (5) Green, (6) Blue, or (9) White., T1 3/4 midget flanged base lamps.
--------------	--

Other

Comment	Order Lamp Separately., Order Lens Set Separately.
---------	--

Product Compliance

[For compliance documentation, visit the product page on TE.com>](#)

EU RoHS Directive 2011/65/EU	Compliant
EU ELV Directive 2000/53/EC	Compliant
China RoHS 2 Directive MIIT Order No 32, 2016	No Restricted Materials Above Threshold
EU REACH Regulation (EC) No. 1907/2006	Current ECHA Candidate List: JAN 2022 (223) Candidate List Declared Against: JAN 2022 (223) Does not contain REACH SVHC
Halogen Content	Low Halogen - Br, Cl, F, I < 900 ppm per homogenous material. Also BFR/CFR/PVC Free
Solder Process Capability	Not applicable for solder process capability

Product Compliance Disclaimer

This information is provided based on reasonable inquiry of our suppliers and represents our current actual knowledge based on the information they provided. This information is subject to change. The part numbers that TE has identified as EU RoHS compliant have a maximum concentration of 0.1% by weight in homogenous materials for lead, hexavalent chromium, mercury, PBB, PBDE, DBP, BBP, DEHP, DIBP, and 0.01% for cadmium, or qualify for an exemption to these limits as defined in the Annexes of Directive 2011/65/EU (RoHS2). Finished electrical and electronic equipment products will be CE marked as required by Directive 2011/65/EU. Components may not be CE marked. Additionally, the part numbers that TE has identified as EU ELV compliant have a maximum concentration of 0.1% by weight in homogenous materials for lead, hexavalent chromium, and mercury, and 0.01% for cadmium, or qualify for an exemption to these limits as defined in the Annexes of Directive 2000/53/EC (ELV). Regarding the REACH Regulation, the information TE provides on SVHC in articles for this part number is based on the latest European Chemicals Agency (ECHA) 'Guidance on requirements for substances in articles' posted at this URL: <https://echa.europa.eu/guidance-documents/guidance-on-reach>

Compatible Parts



TE Part # 3-1437569-5
164TL22=RECT MOM ILLUM PB 2NO&



TE Part # 1-1437569-2
164J2A22=2-POS KEYLK MAINT KYP



TE Part # 1437569-2
164EL11=RND MOM ILL PB INO&INC



TE Part # 2-1437569-5
164SL11=SQ MOM ILL PB 1NO&1NC




TE Part # 5-1437569-8
165TL533=OILTIGHT RECT MAINT I




TE Part # 3-1437569-2
164SZ=SQ PILOT LIGHT W/O COLOR


Also in the Series | Alcoswitch Command




Keylock Switches(3)



Push Button Switches(13)



Rotary Switches(3)



Switch Seals & Accessories(18)

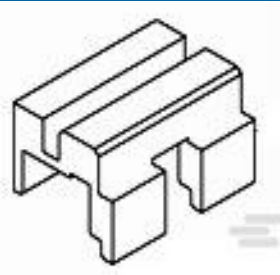
Customers Also Bought



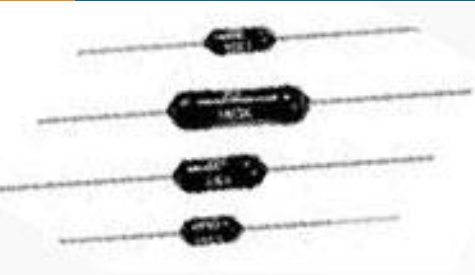
TE Part #90755-2
SEATING TOOL ASSY HM 154 PIN



TE Part #1393255-4
W93-X112-20=M6/M7/M9/W6/W7



TE Part #224668-2
HM 2MM Z PK SEATING TL ASSY



TE Part #5-1879619-9
H8 2K7 1% 25PPM

TE Part #YDJT16F23-53SNV001
PLUG ASSY

TE Part #YDMC-M01-MC6N00000
DMC-M MC6 MODULE

TE Part #1437636-2
49-4400-002=FPA0100XA043CD396C

TE Part #ZPF0000000000001957
182-0346-01

TE Part #Y66572FH35PA1KJGV3
RECEP ASSY

Documents

Product Drawings

164SL511=SQ ILL PP PB 1NO&1NC

English

Datasheets & Catalog Pages

SWITCHES_CORE_PROGRAM_CATALOG

English

Product Environmental Compliance

Product Compliance

English

Product Compliance

English