



Alcoswitch | MTA

TE Internal #: 2-1437558-2

MTA, Toggle Switches, Double Pole - Double Throw Configuration (Pole-Throw), 1/4-40, Sealed, Copper Alloy, Gold Flash over Silver

[View on TE.com >](#)

Relays, Contactors & Switches > Switches > Toggle Switches



Configuration (Pole-Throw): **Double Pole - Double Throw**

Bushing Thread Size: **1/4-40**

Sealed Toggle Switch: **Yes**

Contact Base Material: **Copper Alloy**

Switch Contact Plating Material: **Gold Flash over Silver**

### Features

#### Product Type Features

Product Type	Switch
Sealed Toggle Switch	Yes
Toggle Style	Baton Long
Toggle Switch Type	Toggle
Toggle Actuation	Vertical

#### Configuration Features

Configuration (Pole-Throw)	Double Pole - Double Throw
Operating Function	On Off On

#### Electrical Characteristics

Dielectric Strength	1500 VAC
UL/CSA Current Rating (125V)	6 A
Insulation Resistance	1000 MΩ
UL/CSA Current Rating (250V)	3 A
Contact Resistance	10 mΩ
Toggle Switch Voltage Rating	125 VAC

#### Body Features

Actuator Finish	Chrome
Color	Green
Bushing Thread Size	1/4-40



Toggle Switch Seal Type	Terminal Seal (Insert Molded)
-------------------------	-------------------------------

Bushing Style	Threaded
---------------	----------

### Contact Features

Contact Base Material	Copper Alloy
-----------------------	--------------

Switch Contact Plating Material	Gold Flash over Silver
---------------------------------	------------------------

Toggle Switch Contact Current Rating	6 A
--------------------------------------	-----

### Termination Features

Termination Type	Vertical, Wire Lugs
------------------	---------------------

### Mechanical Attachment

Toggle Switch Mounting Type	Panel
-----------------------------	-------

### Housing Features

Process Sealed	No
----------------	----

### Dimensions

Toggle Length	10.49 mm[.413 in]
---------------	-------------------

### Industry Standards

UL Flammability Rating	UL 94V-0
------------------------	----------

### Other

Comment	UL available when ordering - consult factory.
---------	---

## Product Compliance

[For compliance documentation, visit the product page on TE.com>](#)

EU RoHS Directive 2011/65/EU	Compliant with Exemptions
------------------------------	---------------------------

EU ELV Directive 2000/53/EC	Compliant with Exemptions
-----------------------------	---------------------------

China RoHS 2 Directive MIIT Order No 32, 2016	Restricted Materials Above Threshold
---	--------------------------------------

EU REACH Regulation (EC) No. 1907/2006	<p>Current ECHA Candidate List: JAN 2022 (223)</p> <p>Candidate List Declared Against: JAN 2021 (211)</p> <p>SVHC &gt; Threshold:</p> <p>Pb (3.7% in component)</p> <p>1,6,7,8,9,14,15,16,17,17,18,18-dodecachloropentacyclo [12.2.1.16,9.02,13.05,10]octadeca-7,15-diene (Dechlorane Plus) (6.7% in component)</p>
--	---



**Article Safe Usage Statements:**

Do not eat, drink or smoke when using this product. Wash thoroughly after handling. Do not handle until all safety precautions have been read and understood. Recycle if possible and dispose of the article by following all applicable governmental regulations relevant to your geographic location.

Halogen Content

Not Low Halogen - contains Br or Cl > 900 ppm.

Solder Process Capability

Wave solder capable to 265°C

**Product Compliance Disclaimer**

This information is provided based on reasonable inquiry of our suppliers and represents our current actual knowledge based on the information they provided. This information is subject to change. The part numbers that TE has identified as EU RoHS compliant have a maximum concentration of 0.1% by weight in homogenous materials for lead, hexavalent chromium, mercury, PBB, PBDE, DBP, BBP, DEHP, DIBP, and 0.01% for cadmium, or qualify for an exemption to these limits as defined in the Annexes of Directive 2011/65/EU (RoHS2). Finished electrical and electronic equipment products will be CE marked as required by Directive 2011/65/EU. Components may not be CE marked. Additionally, the part numbers that TE has identified as EU ELV compliant have a maximum concentration of 0.1% by weight in homogenous materials for lead, hexavalent chromium, and mercury, and 0.01% for cadmium, or qualify for an exemption to these limits as defined in the Annexes of Directive 2000/53/EC (ELV). Regarding the REACH Regulation, the information TE provides on SVHC in articles for this part number is based on the latest European Chemicals Agency (ECHA) 'Guidance on requirements for substances in articles' posted at this URL: <https://echa.europa.eu/guidance-documents/guidance-on-reach>

## Compatible Parts



TE Part # 2-1437558-0  
MTA206N=(MSTA) SW TOG DPDT



TE Part # 1-1437558-0  
MTA106D=(MSTA) SWITCH TOGGLE S



TE Part # 7-1437558-2  
MTE206N=(MSTE) SWITCH TOGGLE W



TE Part # 8-1437558-3  
MTF106D=(MST-49) SW TOG SPDT



TE Part # 1-1437558-1  
MTA106DPC=(MSTA) SW TOG P/C TE

Also in the Series | **MTA**



Toggle Switches(26)

## Customers Also Bought




TE Part #DPP901A000  
XPLAINED PRO MS8607



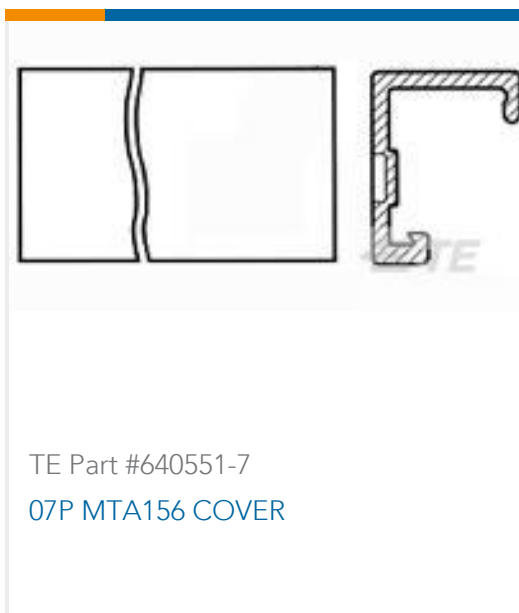
TE Part #640467-1  
05P UMNL HDR ASSY



TE Part #644752-7  
07P MTA156 HDR ASSY SQ STR F/L



TE Part #87756-2  
MOD IV RECP PLTD 30 SEL



TE Part #640551-7  
07P MTA156 COVER




TE Part #1-1437558-0  
MTA106D=(MSTA) SWITCH TOGGLE S



TE Part #8-1437627-3  
G12C=BUTTON GUARD CHROME



TE Part #8-1393254-1  
W92-X112-5=M6/M7/M9/W6/W7



TE Part #M3041-000006-500PG  
PRESS XDCR M3041-000006-500PG



TE Part #20007265-00  
PRESS XDCR US342-000002-050PA

## Documents

### Product Drawings

MTA206P=(MSTA) SW TOG DPDT

English

### CAD Files

3D PDF

3D

Customer View Model

ENG\_CVM\_CVM\_2-1437558-2\_F.2d\_dxf.zip



English

**Customer View Model**

[ENG\\_CVM\\_CVM\\_2-1437558-2\\_F.3d\\_igs.zip](#)

English

**Customer View Model**

[ENG\\_CVM\\_CVM\\_2-1437558-2\\_F.3d\\_stp.zip](#)

English

By downloading the CAD file I accept and agree to the [Terms and Conditions](#) of use.

**Datasheets & Catalog Pages**

[2-1773458-6\\_GREEN\\_SERIES\\_SWITCHES](#)

English