

## Twisting sleeve

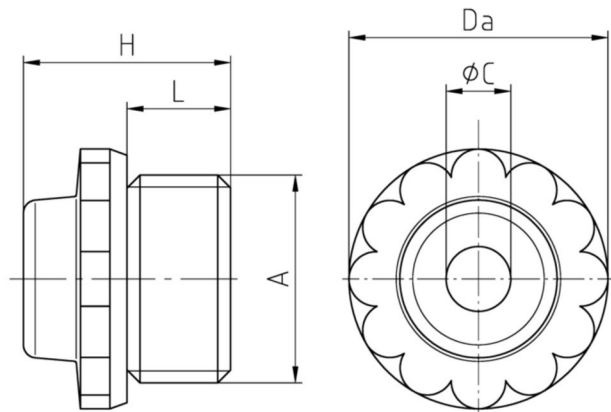
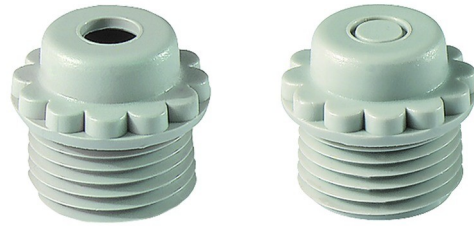
1xx MG

### Configuration

Twisting sleeve	Polyethylene PE-LD
Connecting thread	metric, as per EN 60423

### Properties

Temperature range	-30°C +90°C	<ul style="list-style-type: none"> <li>for application in installation sectors without special requirements</li> </ul>
Protection grade	if assembled properly	




### Features





RAL 7035

model with hole

A	ØC	L	H	Da		Part No.
	mm	mm	mm	mm	Piece	
M12x1,5	3,5 - 6	8	15	15	200	112 MG
M12x1,5	5 - 8,5	8	16	20	200	116 MG
M20x1,5	7 - 10,5	10	19	23,5	200	120 MG
M25x1,5	8,5 - 13	12	22	29,5	100	125 MG
M32x1,5	13 - 16,5	14	24,5	37	50	132 MG
M40x1,5	16 - 21,5	16	27,5	46	50	140 MG

model closed

A	ØC	L	H	Da		Part No.
	mm	mm	mm	mm	Piece	
M12x1,5	3,5 - 6	8	15	15	200	112 MGG

A	ØC	L	H	Da		Part No.
	mm	mm	mm	mm	Piece	
M16x1,5	5 - 8,5	8	16	20	200	116 MGG
M20x1,5	7 - 10,5	10	19	23,5	200	120 MGG
M25x1,5	8,5 - 13	12	22	29,5	100	125 MGG
M32x1,5	13 - 16,5	14	24,5	37	50	132 MGG
M40x1,5	16 - 21,5	16	27,5	46	50	140 MGG
M50x1,5	22 - 35	18	32	56	10	150 MGG
M63x1,5	24 - 43	20	38	69	10	163 MGG