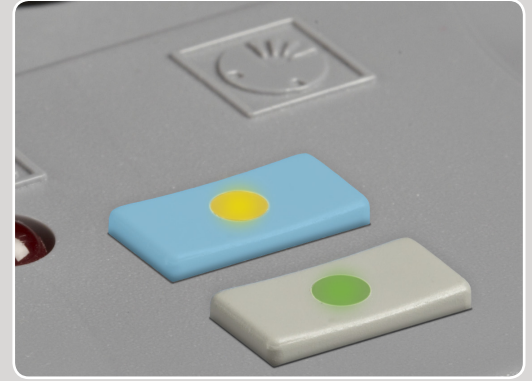


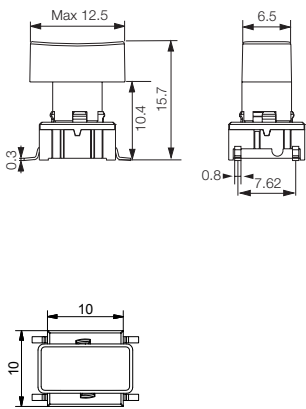
- Rectangular caps
- Concave top surface
- 12.5 mm x 6.5 mm
- h = 15.7 mm
- Material: ABS/polycarbonate
- Temp. Range:
  - Solid cap: -40/+65°C
  - Transparent cap: -40/+85°C
- Panel cut-out: 1PS/1QS/1RS-7.0 x 13.0, R max. 1.0

All dimensions in mm

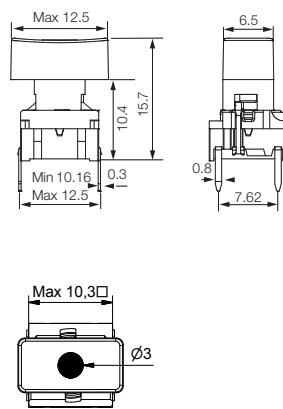


### DIMENSIONS

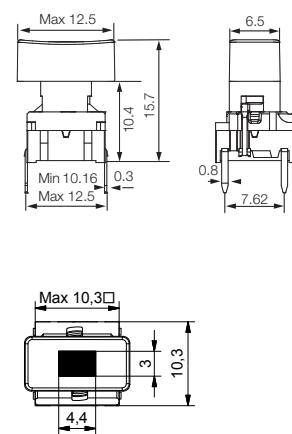
#### SMD (5E) + 1PS



#### TH w/LED (5G) + 1RS



#### TH w/LED (5G) + 1QS



### ILLUMINATED – HOW TO ORDER

Switch	Mounting	Actuation force	LED	+	Cap	Colour code	Lens
<b>5 G</b>	<input type="checkbox"/> <input type="checkbox"/> <input type="checkbox"/>	<input type="checkbox"/> <input type="checkbox"/>	<input type="checkbox"/> <input type="checkbox"/> <input type="checkbox"/> <input type="checkbox"/>		<input type="checkbox"/> <input type="checkbox"/> <input type="checkbox"/> <input type="checkbox"/>	<input type="checkbox"/> <input type="checkbox"/>	<input type="checkbox"/>
	<b>TH9</b> through-hole	<b>20</b>	<b>01</b> blue		<b>1QS</b>	<b>00</b> blue	<b>1</b> transparent
	<b>SH9</b> surface mount	<b>35</b>	<b>22</b> green			<b>02</b> green	<b>6</b> frosted white
		<b>65</b>	<b>42</b> yellow		<b>1RS</b>	<b>03</b> grey	
		<b>Q*</b>	<b>61</b> white			<b>04</b> yellow	
			<b>82</b> red			<b>06</b> white	
			<b>2242</b> green/yellow			<b>08</b> red	
			<b>8222</b> red/green			<b>09</b> black	
			<b>8242</b> red/yellow				
					<b>1PS</b>	<b>11</b> transparent	
						<b>16</b> frosted white	

\*For an illuminated quiet 2.0N switch add Q to the end of the switch part number.

### NON-ILLUMINATED – HOW TO ORDER

Switch	Mounting	Actuation force	+	Cap	Colour code
<b>5 E</b>	<input type="checkbox"/> <input type="checkbox"/> <input type="checkbox"/>	<input type="checkbox"/> <input type="checkbox"/> <input type="checkbox"/>		<input type="checkbox"/> <input type="checkbox"/> <input type="checkbox"/> <input type="checkbox"/>	<input type="checkbox"/> <input type="checkbox"/>
<b>5 G</b>	<b>TH9</b> through-hole	<b>20</b>		<b>1PS</b>	<b>00</b> blue <b>06</b> white
	<b>SH9</b> surface mount	<b>20Q</b>			<b>02</b> green <b>08</b> red
		<b>35</b>			<b>03</b> grey <b>09</b> black
		<b>65</b>			<b>04</b> yellow

Ordering example:

5GTH935+1PS08 without illumination OR 5GSH96542+1RS001 with illumination OR \*5GSH92061Q (illuminated quiet version)

Please see colour codes, updates of products and changes of specifications on [www.mec.dk](http://www.mec.dk)