



**Industrial RJ45 Variant 14**

TE Internal #: 1987004-2

RJ45 Connectors, Circular RJ45, Single Port, RJ Type Jacks & Plugs, Plug, Shielded, Cat 5 / Cat 5e, None Status Indicator, Industrial RJ45 Variant 14

[View on TE.com >](#)

Connectors > Modular Jacks & Plugs > RJ45 Connectors



Modular Jack & Plug Interface Type: **Circular RJ45**

Port Configuration: **Single Port**

Modular Jacks & Plugs Products: **RJ Type Jacks & Plugs**

Connector Contact Density: **Standard**

Modular Connector Style: **Plug**

**Features**

**Product Type Features**

Connectors & Connector Components Type	Connector
Compatible With Discrete Wire Type	Stranded
Modular Jack & Plug Interface Type	Circular RJ45
Modular Jacks & Plugs Products	RJ Type Jacks & Plugs
Modular Connector Style	Plug
Connector System	Wire-to-Board
Connector & Contact Terminates To	Wire & Cable

**Configuration Features**

Wiring Pattern	RJ45
Compatible With Wire & Cable Type	Discrete Wire
Port Configuration	Single Port
Connector Contact Density	Standard
Status Indicator Type	None
Number of Positions	1
Number of Loaded Positions	1

**Body Features**

Shield Plating Material	Nickel
Shield Material	Copper Alloy



### Contact Features

Contact Current Rating (Max)	.5 A
Contact Mating Area Plating Material	Gold
Contact Base Material	Phosphor Bronze
Contact Mating Area Plating Material Thickness	1.27 $\mu\text{m}$ [50 $\mu\text{in}$ ]

### Mechanical Attachment

Connector Mounting Type	Cable Mount (Free-Hanging)
-------------------------	----------------------------

### Housing Features

Centerline (Pitch)	1.02 mm[.04 in]
Housing Color	Green Blue
Housing Material	Lexans, Ultradur

### Dimensions

Wire Size	.12 – .15 mm <sup>2</sup>
-----------	---------------------------

### Usage Conditions

Operating Temperature Range	-40 – 70 °C[-40 – 158 °F]
-----------------------------	---------------------------

### Operation/Application

Shielded	Yes
Circuit Application	Signal

### Industry Standards

IP Rating	IP67
Performance Category	Cat 5, Cat 5e

### Packaging Features

Packaging Quantity	50
Packaging Method	Bag

### Other

Cable Entry	Straight
Additional Features	Category 5 Cable

### Product Compliance

For compliance documentation, visit the product page on TE.com>

EU RoHS Directive 2011/65/EU	Compliant
------------------------------	-----------



EU ELV Directive 2000/53/EC	Compliant
China RoHS 2 Directive MIIT Order No 32, 2016	No Restricted Materials Above Threshold
EU REACH Regulation (EC) No. 1907/2006	Current ECHA Candidate List: JAN 2022 (223) Candidate List Declared Against: JUN 2020 (209) SVHC > Threshold: Not Yet Reviewed
Halogen Content	Low Halogen - Br, Cl, F, I < 900 ppm per homogenous material. Also BFR/CFR/PVC Free
Solder Process Capability	Not applicable for solder process capability

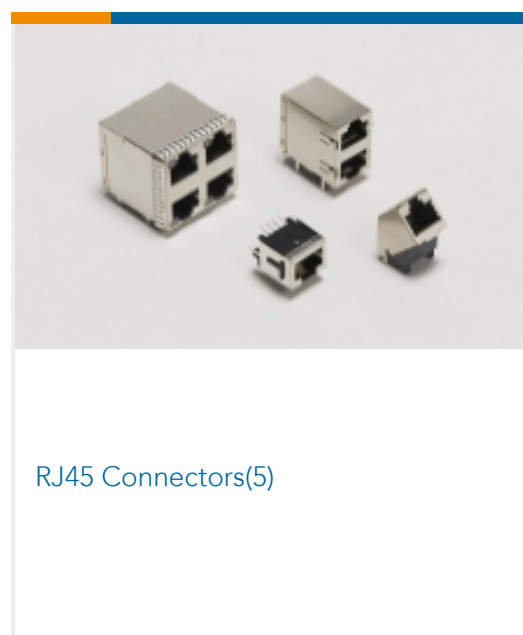
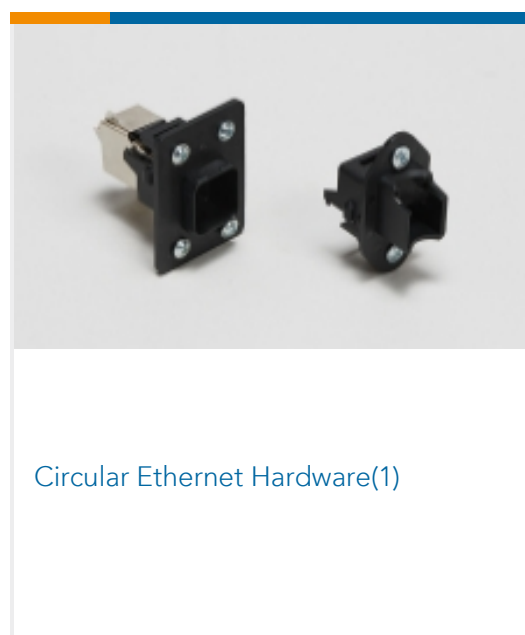
Product Compliance Disclaimer

This information is provided based on reasonable inquiry of our suppliers and represents our current actual knowledge based on the information they provided. This information is subject to change. The part numbers that TE has identified as EU RoHS compliant have a maximum concentration of 0.1% by weight in homogenous materials for lead, hexavalent chromium, mercury, PBB, PBDE, DBP, BBP, DEHP, DIBP, and 0.01% for cadmium, or qualify for an exemption to these limits as defined in the Annexes of Directive 2011/65/EU (RoHS2). Finished electrical and electronic equipment products will be CE marked as required by Directive 2011/65/EU. Components may not be CE marked. Additionally, the part numbers that TE has identified as EU ELV compliant have a maximum concentration of 0.1% by weight in homogenous materials for lead, hexavalent chromium, and mercury, and 0.01% for cadmium, or qualify for an exemption to these limits as defined in the Annexes of Directive 2000/53/EC (ELV). Regarding the REACH Regulation, the information TE provides on SVHC in articles for this part number is based on the latest European Chemicals Agency (ECHA) 'Guidance on requirements for substances in articles' posted at this URL: <https://echa.europa.eu/guidance-documents/guidance-on-reach>

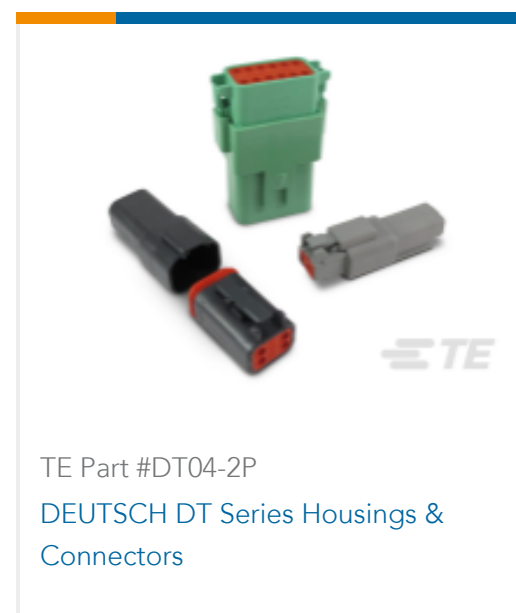
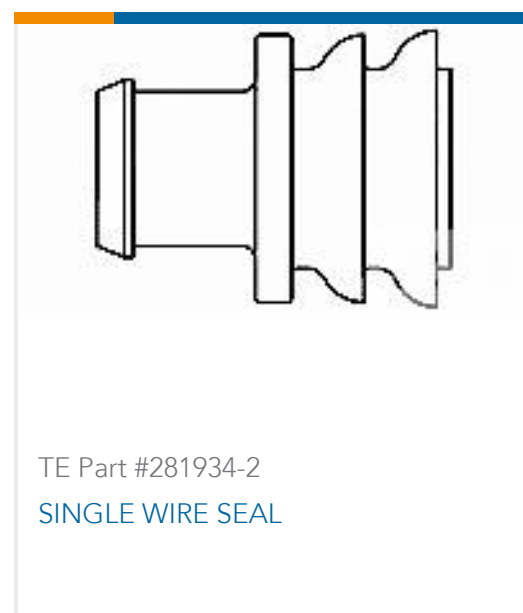
## Compatible Parts



## Also in the Series | Industrial RJ45 Variant 14



## Customers Also Bought



## Documents

### Product Drawings

[RJ45 PLUG,PUSH-PULL,ASSY,C AT5 ,SHIELDED](#)

English

### CAD Files

[3D PDF](#)

3D

Customer View Model

[ENG\\_CVM\\_CVM\\_1987004-2\\_C.2d\\_dxf.zip](#)

English

Customer View Model

[ENG\\_CVM\\_CVM\\_1987004-2\\_C.3d\\_igs.zip](#)

English

Customer View Model

[ENG\\_CVM\\_CVM\\_1987004-2\\_C.3d\\_stp.zip](#)

English

By downloading the CAD file I accept and agree to the [Terms and Conditions](#) of use.

### Datasheets & Catalog Pages

[INDUSTRIAL\\_ETHERNET\\_PRODUCTS](#)

English

[1-1773733-5\\_RJ45\\_VARIANT14\\_FLYER](#)

English

### Product Specifications

[Product Specification](#)



German

---

[Agency Approvals](#)

[UL Report](#)

English